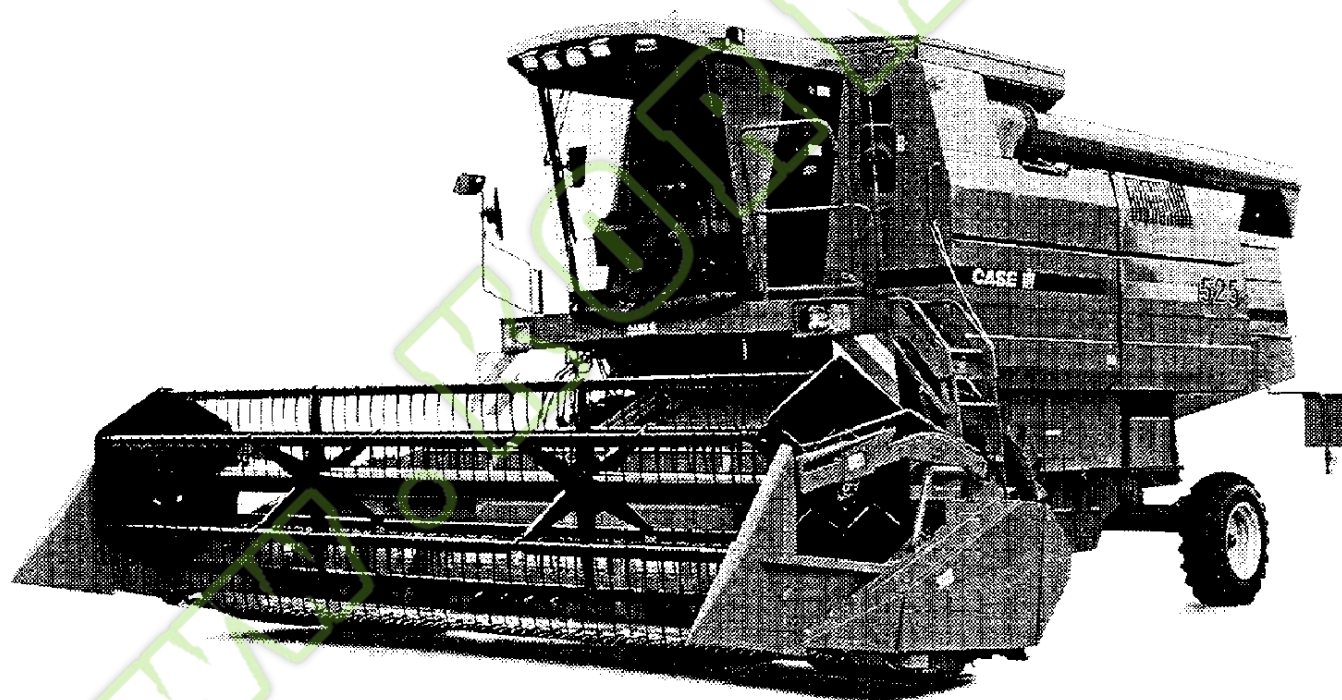


**PARTS CATALOG
CATALOGUE PIECES
ERSATZTEILKATALOG**

**525 Combine
525 Moissonneuse-Batteuse
525 Hydrostatische Mähdrescher**

Don 7-4231



DR99D121

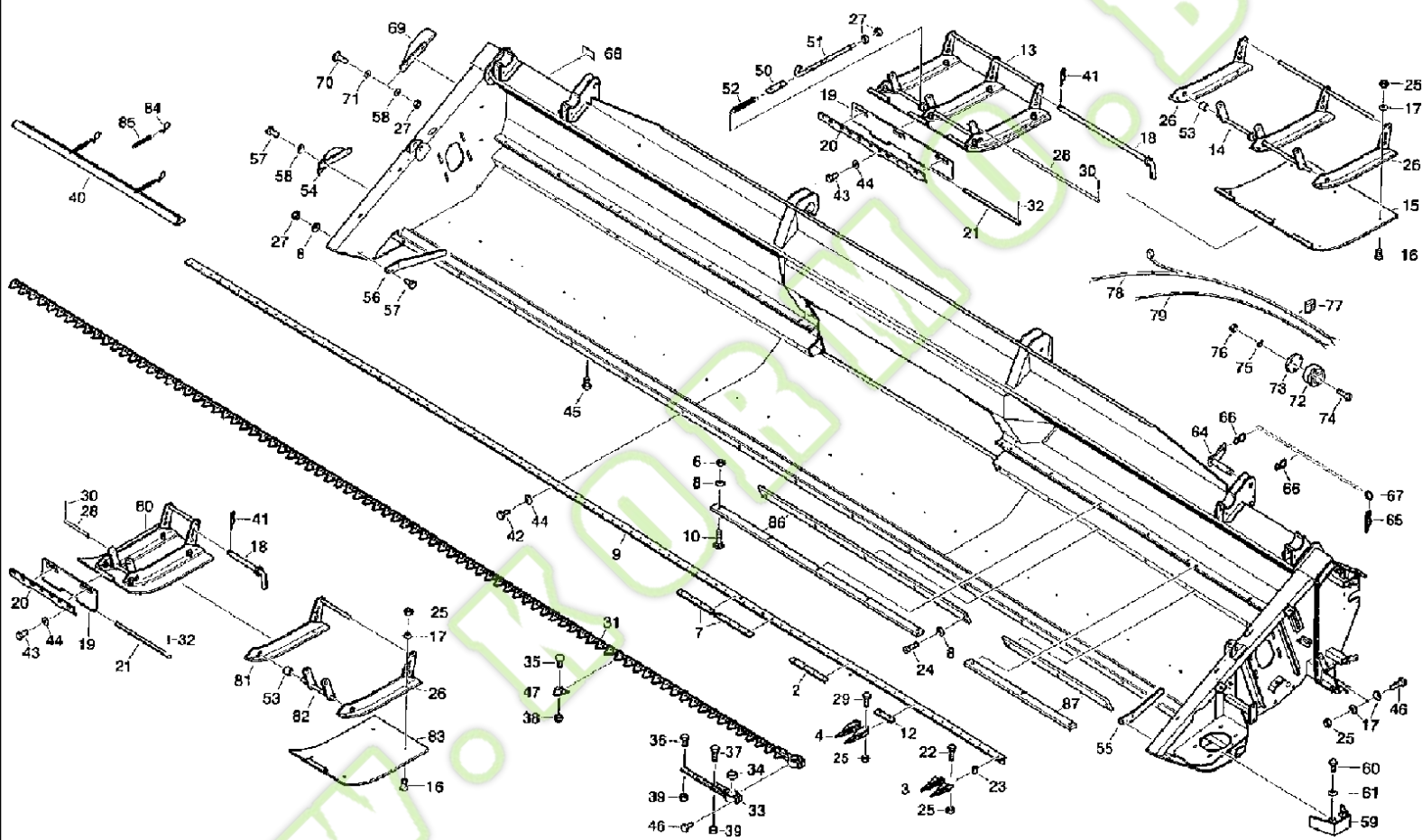
Copyright © 1999 Case Corporation. All rights reserved.
CASE and CASE IH are registered trademarks of Case Corporation

Don 7-4231

Issued May, 1999



Ref	Part Number	Qty	Description
			



Ref	Part Number	Qty	Description
3	060531001	1	FINGER, double guide
4	4260714174	35	FINGER, double, 4.8m, 12
4	4260714174	35	FINGER, double, 5.4m, 12
4	4260714174	40	FINGER, double, 6.0m, 12
6	006213830	18	NUT, hex, 4.8m, M8 -8
6	006213830	14	NUT, hex, 5.4m, M8 -8
6	006213830	16	NUT, hex, 6.0m, M8 -8
8	9999853117	28	PLATE, LOCKING, WASHER, 4.8m, VSF M8
8	9999853117	28	PLATE, LOCKING, WASHER, 5.4m, VSF M8
8	9999853117	36	PLATE, LOCKING, WASHER, 6.0m, VSF M8
9	061062624	1	ANGLE BAR, 4.8m
9	061063071	1	ANGLE BAR, 5.4m
9	061063088	1	ANGLE BAR, 6.0m
10	9945926163	12	SCREW, round-head, 4.8m, M8 x 20 -8.8
10	9945926163	14	SCREW, round-head, 5.4m, M8 x 20 -8.8
10	9945926163	16	SCREW, round-head, 6.0m, M8 x 20 -8.8
11	4260714190	17	PLATE, LEDGER, finger, 4.8m, l
11	4260714190	17	PLATE, LEDGER, finger, 5.4m, l
11	4260714190	20	PLATE, LEDGER, finger, 6.0m, l
12	4260714205	1	PLATE, LEDGER, finger, 4.8m, n
12	4260714205	1	PLATE, LEDGER, finger, 5.4m, n
13	061035517	2	SOLE, slide, 6.0m
14	061035533	2	FRAME, 6.0m
15	061035541	2	SOLE, 6.0m
16	9943935037	16	SCREW, countersunk, 4.8m, M10 x 25 -4.6
16	9943935037	16	SCREW, countersunk, 5.4m, M10 x 25 -4.6
16	9943935037	12	SCREW, countersunk, 6.0m, M10 x 25 -4.6
17	9999853166	14	PLATE, LOCKING, WASHER, 4.8m, VSF B10
17	9999853166	20	PLATE, LOCKING, WASHER, 5.4m, VSF B10
17	9999853166	14	PLATE, LOCKING, WASHER, 6.0m, VSF B10
18	061036438	8	PIN, SPLIT (COTTER), HANDLE, 4.8m
18	061036438	8	PIN, SPLIT (COTTER), HANDLE, 5.4m
18	061036438	6	PIN, SPLIT (COTTER), HANDLE, 6.0m
19	061046681	4	PLATE, transition, 4.8 and 5.4m
19	061036413	2	PLATE, transition, 6.0m
20	061046673	4	RAIL, 4.8 and 5.4m
20	061036462	2	RAIL, 6.0m
21	061046665	4	PIN, LARGE, BOLT, 4.8 and 5.4m
21	061036390	2	PIN, LARGE, BOLT, 6.0m
24	060528754	12	SCREW, Fillister-head, 4.8m, M10 x 20 -10.9
24	060528754	14	SCREW, Fillister-head, 5.4m, M10 x 20 -10.9
24	060528754	16	SCREW, Fillister-head, 6.0m, M10 x 20 -10.9
25	006213935	79	NUT, hex, 4.8m, M10 -8
25	006213935	72	NUT, hex, 5.4m, M10 -8
25	006213935	95	NUT, hex, 6.0m, M10 -8

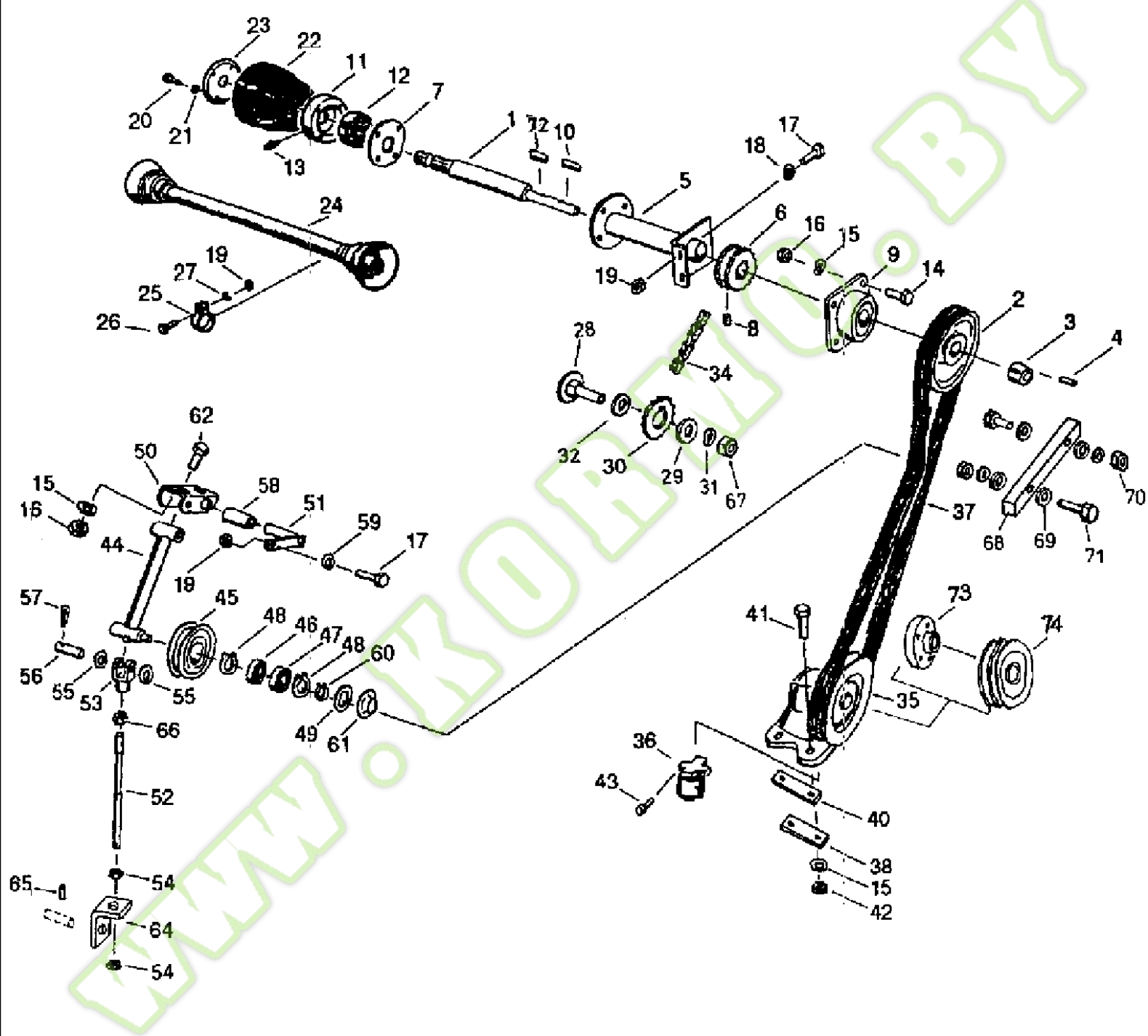
Ref	Part Number	Qty	Description
26	061035525	4	PROFILE,
27	006213830	6	NUT, profile, 4.8 and 5.4m, M8 -8
27	006213830	10	NUT, profile, 6.0m, M8 -8
28	9949864852	8	PIN, LARGE, BOLT, 4.8 and 5.4m, B20 h11 x 50
28	9949864852	6	PIN, LARGE, BOLT, 6.0m, B20 h11 x 50
29	9933931180	72	SCREW, hex, 4.8 and 5.4m, M10 x 35 -8.8
29	9933931180	82	SCREW, hex, 6.0m, M10 x 35 -8.8
30	9963950274	16	PIN, SPLIT (COTTER), 4.8 and 5.4m, 5 x 32
30	9963950274	12	PIN, SPLIT (COTTER), 6.0m, 5 x 32
31	061048136	1	KNIFE, MOWER, 4.8m
31	061046640	2	KNIFE, MOWER, 5.4m
31	061036784	2	CUTTING BLADE, MOWER, 6.0m
32	006402361	8	PIN, SPLIT (COTTER), 4.8 and 5.4m, 4 x 25
32	006402361	4	PIN, SPLIT (COTTER), 6.0m, 4 x 25
33	060518141	1	HEAD, KNIFE,
34	003794047	1	PIN, ROLL, CLAMP collar
35	4260716416	125	SCREW, toothed, 4.8m
35	4260716416	137	SCREW, toothed, 5.4m
35	4260716416	157	SCREW, toothed, 6.0m
36	003794071	6	SCREW, hex, M6 x 18 -10.9
37	003794088	3	SCREW, hex, M6 x 28 -10.9
38	003794096	125	NUT, hex, 4.8m, VM6 -8
38	003794096	137	NUT, hex, 5.4m, VM6 -8
38	003794096	157	NUT, hex, 6.0m, VM6 -8
39	4260716408	9	NUT,
40	4264714250	4	PLATE, LEDGER, GUARD finger, 4.8 and 5.4m
40	4264714250	5	PLATE, LEDGER, GUARD finger, 6.0m
41	060508814	8	SPLIT PIN/SAFETY PIN, hair, cotter, 4.8 and 5.4m
41	060508814	6	SPLIT PIN/SAFETY PIN, hair, cotter, 6.0m
42	006346666	8	SCREW, hex, 4.8m, M12 x 30 -8.8
42	006346666	9	SCREW, hex, 5.4m, M12 x 30 -8.8
42	006346666	11	SCREW, hex, 6.0m, M12 x 30 -8.8
43	9933932028	8	SCREW, hex, M12 x 35 -8.8
44	9960964555	16	WASHER, 4.8m, 13
44	9960964555	17	WASHER, 5.4m, 13
44	9960964555	19	WASHER, 6.0m, 13
45	9933960312	2	SCREW, hex, 4.8 and 5.4m, M12 x 16 -8.8
45	9933960312	6	SCREW, hex, 6.0m, M12 x 16 -8.8
46	9933931308	1	SCREW, hex, 4.8m, M12 x 16 -8.8
46	9933931308	2	SCREW, hex, 5.4 and 6.0m, M10 x 45 -8.8
47	4260714246	67	KNIFE SECTION, 4.8m
47	4260714246	73	KNIFE SECTION, 5.4m
47	4260714246	83	KNIFE SECTION, 6.0m
50	061036405	2	BRAKE, ROD connecting, 6.0m
51	060514041	2	SCREW, eyelet, 6.0m, BM8 x 160

Ref	Part Number	Qty	Description
52	9974882732	2	SPRING, TENSION, 6.0m
53	061035558	1	PLUG, PIECE spacer, 4.8 and 5.4m
53	061035558	2	PLUG, PIECE spacer, 6.0m
54	061035172	1	PROTECTOR, g
55	4268704784	1	DEFLECTOR, f
56	4268704792	1	DEFLECTOR, g
57	9933930001	9	SCREW, hex, 4.8m, M8 x 20 -8.8
57	9933930001	10	SCREW, hex, 5.4m, M8 x 20 -8.8
57	9933930001	6	SCREW, hex, 6.0m, M8 x 20 -8.8
58	9999853158	2	PLATE, LOCKING, WASHER, 4.8m, VSF B8
58	9999853158	4	PLATE, LOCKING, WASHER, 5.4 and 6.0m, VSF B8
59	061041820	1	HEAD, KNIFE, GUARD
60	006344037	2	SCREW, hex, M10 x 25 -8.8
61	9999853094	2	PLATE, LOCKING, WASHER, VSF M10
62	061042307	1	SCRAPER, 5.4m, g
62	061041396	1	SCRAPER, 6.0m, g
63	061046712	1	SCRAPER, 5.4m, g
63	061041468	1	SCRAPER, 6.0m, g
64	061032627	2	PIN, SPLIT (COTTER),
65	060512634	2	SPLIT PIN/SAFETY PIN, spring, cotter,6.3
66	0680020	4	HOOK,
67	4240054440	2	RING, key, A20
68	060508381	2	PRODUCT GRAPHIC, Nr.11
69	061043896	1	GUARD, PIPE
70	9933929173	2	SCREW, hex, M8 x 25 -8.8
71	9961921673	2	WASHER, R9
72	007067048	3	SOCKET/RECEPTACLE,
73	4140751514	3	PLUG,
74	9936939312	9	SCREW, cheese-head, M x 35 -5.8
75	9961919902	9	WASHER, SPRING, B5
76	006213478	9	NUT, hex, M5 -8
77	9019059944	21	CLIP, CABLE, ACC38 -A-20
78	061046995	1	CABLE, g
79	061046987	1	CABLE, f
80	061046552	4	SOLE, slide, 4.8 and 5.4m
81	061046560	4	FRAME, 4.8 and 5.4m
82	061046585	4	LINKAGE, 4.8 and 5.4m
83	061046608	4	SOLE, 4.8 and 5.4m
84	4260715397	8	HOOK, 4.8 and 5.4m
84	4260715397	10	HOOK, 6.0m
85	9974881635	8	SPRING, TENSION, 4.8 and 5.4m, A1, 4 x 10 x 25 AA1
85	9974881635	10	SPRING, TENSION, 6.0m, A1, 4 x 10 x 25 AA1
86	061048320	4	SCRAPER, 4.8m
86	061049610	4	SCRAPER, 5.4 and 6.0m
87	061049651	4	SCRAPER, 5.4m

Ref	Part Number	Qty	Description
87	061049643	4	SCRAPER, 6.0m

WWW.KORMO.BY

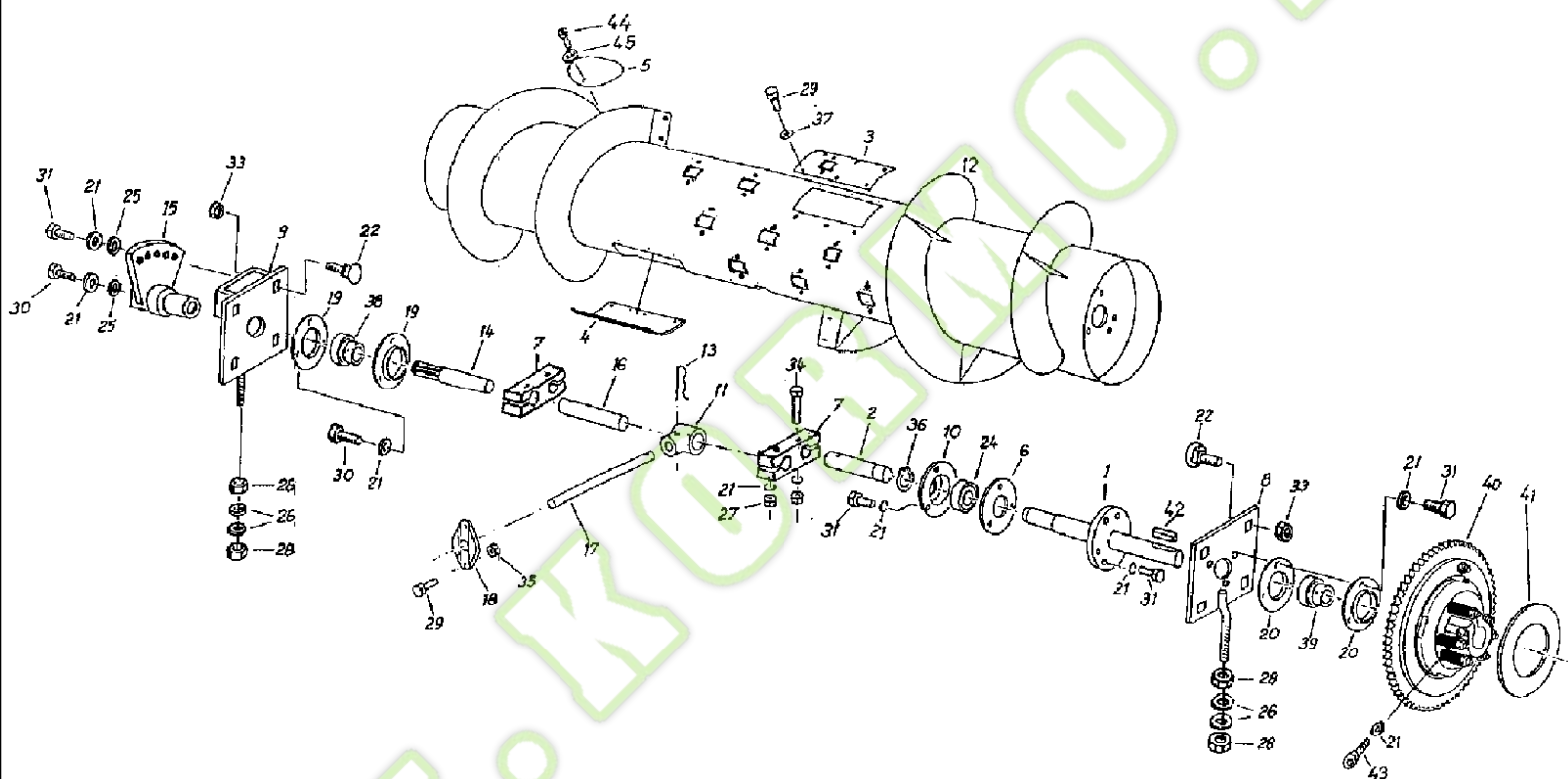




01-09 KNIFE DRIVE - HLS

Ref	Part Number	Qty	Description
1	061048675	1	SHAFT, 4.8m
1	061046800	1	SHAFT, 5.4m
1	061036124	1	SHAFT, 6.0m
2	061062874	1	PULLEY, V-BELT
3	060530861	1	RING, holding bushing, TSB 2517/40
4	060518391	2	PIN, threaded, 1/2"
5	061048683	1	GUARD, SHAFT, 4.8m
5	061046817	1	GUARD, SHAFT, 5.4m
5	061036140	1	GUARD, SHAFT, 6.0m
6	061061527	1	DRIVE SPROCKET, double
7	061036093	1	WASHER,
8	9701373700	1	PIN, threaded, M8 x 16 -45H
9	060513998	1	CARRIER, BEARING, FLANGE, FSW 40
10	060514000	1	KEY, BUCKET TOOTHRT, feather, A12 x 8 x 70
11	4264714347	1	BEARING,
12	9902889503	1	BEARING, self-aligning ball, 1307
13	003617056	1	NIPPLE, LUBE, AM8 x 1
14	9933932108	4	SCREW, hex, M12 x 40 -8.8
15	9999853174	10	PLATE, LOCKING, WASHER, VSF B12
16	006214140	6	NUT, hex, 4.8m, M12 -8
16	006214140	7	NUT, hex, 5.4 and 6.0m, M12 -8
17	9933929715	3	SCREW, hex, M8 x 18 -8.8
18	9999853158	2	PLATE, LOCKING, WASHER, VSF B8
19	006213830	4	NUT, hex, M8 -8
20	9933930887	8	SCREW, hex, M10 x 16 -8.8
21	9961911085	8	WASHER, LOCK, RING spring, B 10
22	060508822	1	GUARD,
23	4264714371	1	REINFORCEMENT,
24	060504810	1	COUPLING, SHAFT cardan
25	4264714468	1	CLAMP,
26	006340781	1	SCREW, hex, M8 x 16 -8.8
27	9961910976	1	SPRING, RING, B8
28	061061568	1	SCREW, coach
29	006511140	1	WASHER, A17
30	060527657	1	DRIVE SPROCKET, RIM toothed
31	060516365	1	WASHER, LOCK, RING spring, A 16
32	061061551	1	WASHER,
34	9917906581	1	CHAIN (AGRICULTURE), roller, 12B01 x 98E
35	061060831	1	DRIVE, ANGLE, transmission
35	061060848	1	DRIVE, ANGLE, transmission
36	060510905	1	BEARING, ke
37	061036454	1	V-BELT, composite
38	4264714556	2	BLOCK,
40	060184554	AR	BLOCK, n.B.
41	9932976954	4	SCREW, hex, M12 x 65 -10.9

Ref	Part Number	Qty	Description
42	9950896310	4	NUT, hex, M12 -10
43	060154934	2	SCREW, M10 x 35 -10.9
44	061036487	1	LEVER, ROCKER,
45	4221607780	1	ROLLER, SHIFTER, PULLEY
46	9902890400	1	BEARING, grooved ball, 6204
47	9902890642	1	BEARING, grooved ball, 6204 RS
48	9964917770	2	CIRCLIP, 47 x 1.6
49	4110085640	1	SEAL WASHER, 25, 5 x 46, 5 x 0.2
50	061036550	1	CRADLE, BRACKET bearing
51	061036567	1	PIN, PIVOT, BOLT bearing
52	061036606	1	SPINDLE,
53	003799107	1	CRADLE, head, G16 x 64
54	9950896841	2	NUT, hex, M16 -8
55	9960922353	2	WASHER, A17
56	9949863972	1	PIN, LARGE, BOLT, B16 x 50 x 38
57	9963950145	2	PIN, SPLIT (COTTER), 4 x 28
58	060514121	2	HALF BUSH, BEARING journal, 6FM-2528-21
59	9999853117	1	PLATE, LOCKING, WASHER, VSF M8
60	9964917168	1	NUT, RING snap, 20 x 1.2
61	9904868931	1	COVER, 47
62	006346666	2	SCREW, hex, M12 x 30 -8.8
64	061036382	1	ANGLE, bent strap
65	9967942262	1	SPLIT PIN/SAFETY PIN, roll, 5 x 28
66	006214060	1	NUT, hex, M16 x 1.5
67	006214534	1	NUT, hex, M16 -8
68	061061543	1	GUIDE, rail
69	006510285	6	WASHER, A10.5
70	060512080	4	NUT, hex, M10 -8
71	060527448	2	SCREW, hex, M10 x 65 -8.8
72	060518367	1	KEY, BUCKET TOOTHRT, feather, A12 x 8 x 90
73	060528922	1	FLANGE,
74	060528930	1	PULLEY, V-BELT



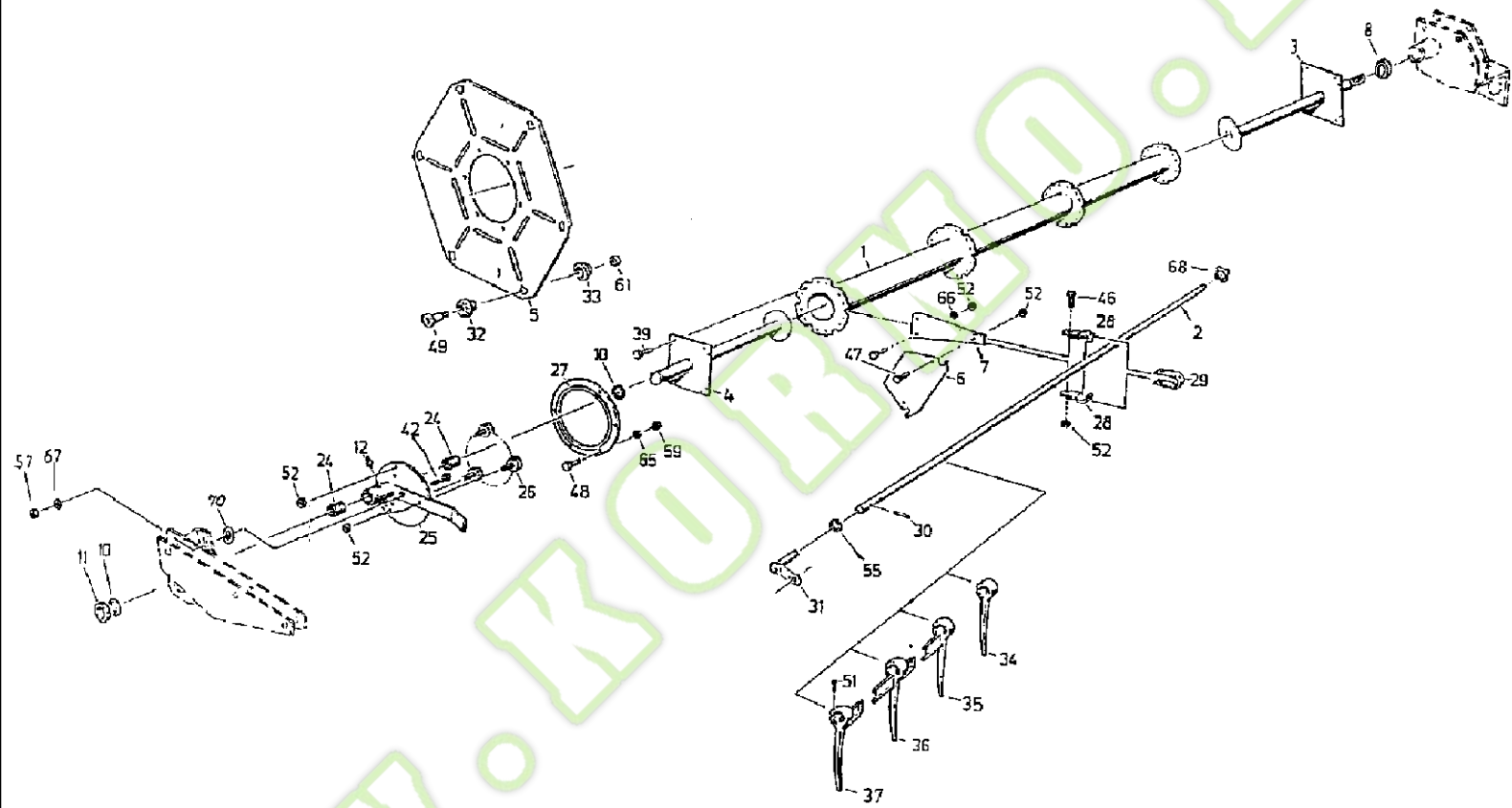
01-13 AUGER - HLS

Ref	Part Number	Qty	Description
1	061060261	1	SHAFT, DRIVE,
2	061060470	1	PIN, LARGE, BOLT
3	31283682	1	COVER,
4	31283690	1	COVER,
5	061060438	1	COVER,
6	061060446	1	FLANGE,
7	31283096	2	CLAMP BRACKET, PIECE
8	061060366	1	BEARING, f
9	061060390	1	BEARING, g
10	061060454	1	HOUSING, BEARING,
11	061060501	15	HUB, bearing
12	31283055	1	WORM, surface, 4.8m
12	31282577	1	WORM, surface, 5.4m
12	31283063	1	WORM, surface, 6.0m
13	061060487	15	PIN, LINCH, locking
14	31283512	1	STEERING SHAFT, 4.8m
14	31283504	1	STEERING SHAFT, 5.4m
14	31283498	1	STEERING SHAFT, 6.0m
15	061060333	1	LEVER, adjusting
16	061060300	1	SHAFT, tine
17	31282989	15	FINGER, tine
18	061060518	15	GUIDE, tine
19	060527407	4	HOUSING, PLATE, 4.8m
19	060527407	6	HOUSING, PLATE, 5.4 and 6.0m, RBY 206
20	060527423	2	HOUSING, plate, RBY 207
21	9961911093	28	WASHER, LOCK, RING spring, 4.8m, A10
21	9961911093	32	WASHER, LOCK, RING spring, 5.4 and 6.0m, A10
22	060527472	8	SCREW, flat round head , M12 x 30 -8.8
24	9902890482	1	BEARING, grooved ball, 6206 -2RS
25	9964962486	2	WASHER, A10.5
26	9965962364	4	WASHER, 14 x 32 x 5
27	006213935	8	NUT, hex, M10 -8
28	006214140	4	NUT, hex, M12 -8
29	006338385	44	SCREW, hex, M6 x 16 -8.8
30	9933929065	9	SCREW, hex, 4.8m, M10 x 20 -8.8
30	9933929065	13	SCREW, hex, 5.4 and 6.0m, M10 x 20 -8.8
31	006344037	10	SCREW, hex, M10 x 25 -8.8
33	060527431	8	NUT, hex, M12 -8
34	060527448	8	SCREW, hex, M10 x 65 -8.8
35	060527480	30	NUT, hex, M6 -8
36	9964917215	1	CIRCLIP, 30 x 1.5
37	060150770	10	PLATE, LOCKING, WASHER, VSF B6
38	060527392	2	BEARING, 4.8m, YEL 206
38	060527392	3	BEARING, 5.4 and 6.0m, YEL 206
39	060527415	1	BEARING, YEN 207

01-13 AUGER - HLS

Ref	Part Number	Qty	Description
40	060527640	1	FLANGE, COUPLING friction
41	060528787	2	FACING, clutch lining, FRK70 194, 5 x 122 x 5
42	97031090	1	KEY, BUCKET TOOTHRT, feather, A10 x 8 x 70
43	9937984621	1	SCREW, cylinder head, M10 x 45 -8.8
44	06340773	4	SCREW, hex, M8 x 16 -8.8
45	06577044	4	WASHER, SPECIAL, locking, VSF B8

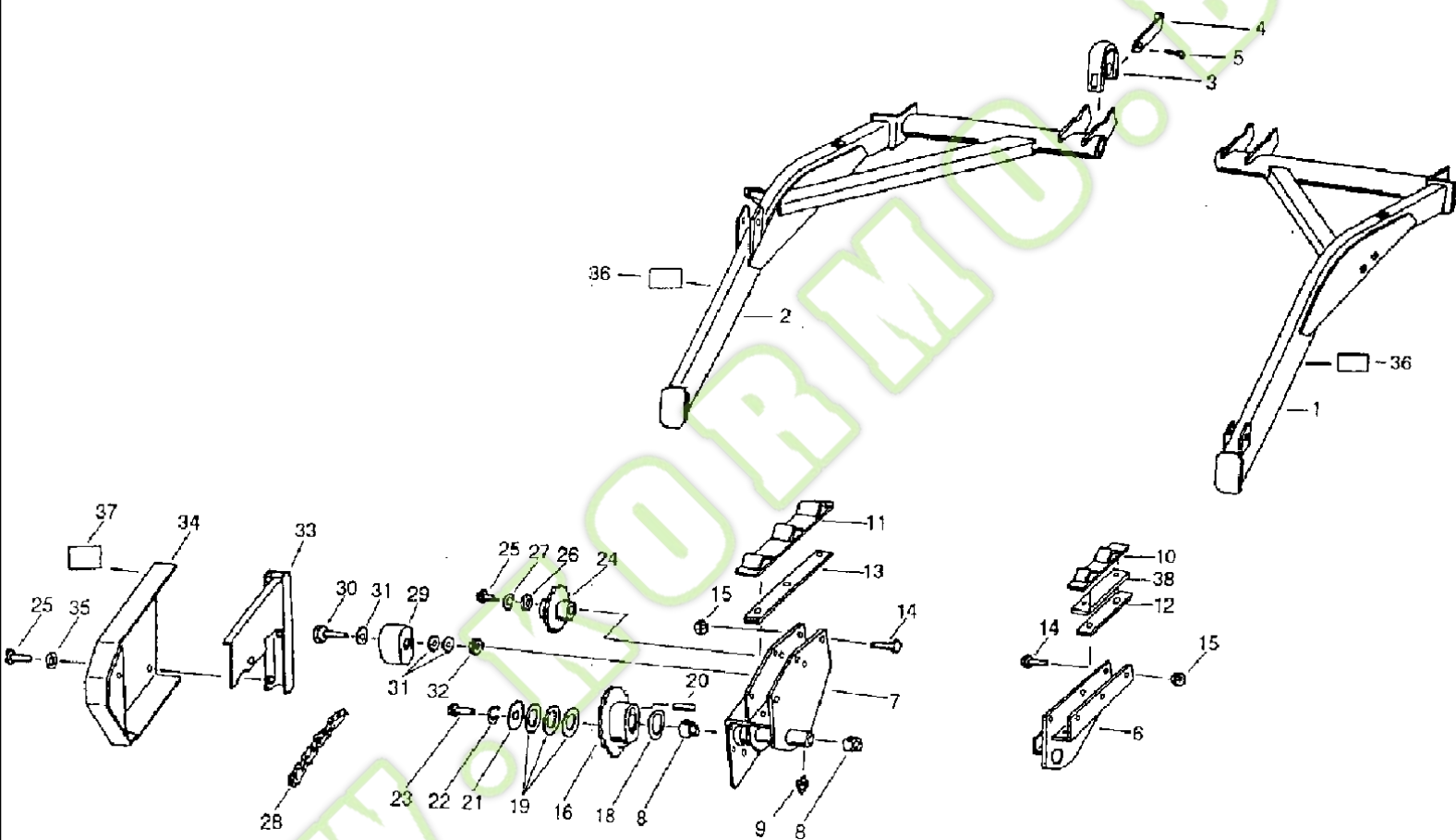
WWW.KORMO.BY



Ref	Part Number	Qty	Description
1	003799156	1	SHAFT, interm., 4.8m
1	003780958	1	SHAFT, interm., 5.4m
1	060503770	1	SHAFT, interm., 6.0m
2	003799180	6	SHAFT, HOLDER finger, 4.8m
2	003780982	6	SHAFT, HOLDER finger, 5.4m
2	060503801	6	SHAFT, HOLDER finger, 6.0m
3	060518012	1	SHAFT,
4	003798733	1	SHAFT,
5	060515991	1	BEARING, end shield
6	060516002	6	BEARING, end shield
7	003798700	24	ARM, reel
8	061041322	1	SPACER, disk
10	003798686	2	WASHER,
11	003798678	1	RING, LOCKING, adjusting
12	003617056	1	NIPPLE, LUBE, AM8 x 1
24	003798581	2	BEARING LINER,
25	060502302	1	SUPPORT, FRAME
26	060502310	3	SUPPORT, roller
27	003798557	1	ECCENTRIC, RING driving
28	003791390	48	BEARING (HALF), ARM reel
29	003791382	24	BEARING, plate
30	060502327	12	SPLIT PIN/SAFETY PIN,
31	003798540	6	ARM, crank
32	060502335	6	BEARING, TUBE spacer
33	060502343	6	NUT, BEARING excenteric
34	003798524	12	FINGER, plastic
35	003798516	18	FINGER, FINGER plastic, g
36	003791366	210	FINGER, plastic, 4.8m
36	003791366	234	FINGER, plastic, 5.4m
36	003791366	276	FINGER, plastic, 6.0m
37	003798508	18	FINGER, FINGER plastic, f
39	9933931123	8	SCREW, hex, M10 x 30 -8.8
42	9945635836	1	SCREW, round-head, M12 x 35 -8.8
46	006344736	24	SCREW, hex, M10 x 50 -8.8
47	006344037	46	SCREW, hex, M10 x 25 -8.8
48	9933930001	6	SCREW, hex, M8 x 20 -8.8
49	060502351	6	PIN, PIVOT, BOLT bearing
51	003791374	258	SCREW, fillister-head, 4.8m
51	003791374	294	SCREW, fillister-head, 5.4m
51	003791374	324	SCREW, fillister-head, 6.0m
52	9950897818	81	NUT, hex, VM10 -8
55	770000802	12	SHIM, precision, 36 x 45 x 2
57	006214140	1	NUT, hex, M12 -8
59	006213830	6	NUT, hex, M8 -8
61	9954897654	6	NUT, hex, VM12 -8

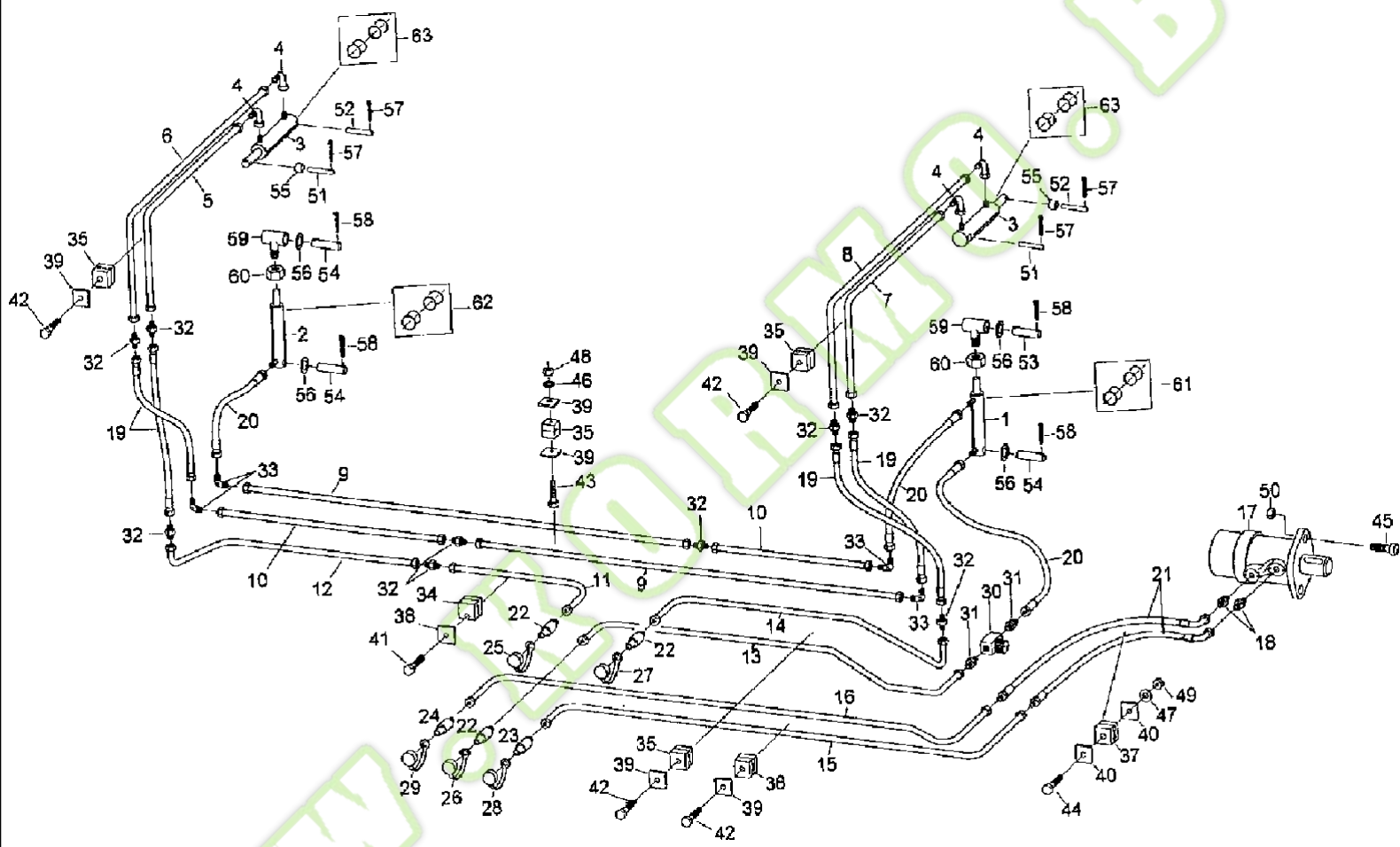
Ref	Part Number	Qty	Description
65	9961910976	6	SPRING, WASHER lock, B8
66	9961911085	48	WASHER, LOCK, SPRING, B10
67	9999853174	1	PLATE, LOCKING, WASHER, VSF B12
68	060507050	36	RING, THRUST, plastic
70	9961922088	1	WASHER, n.B., 14

WWW.KORMO.BY



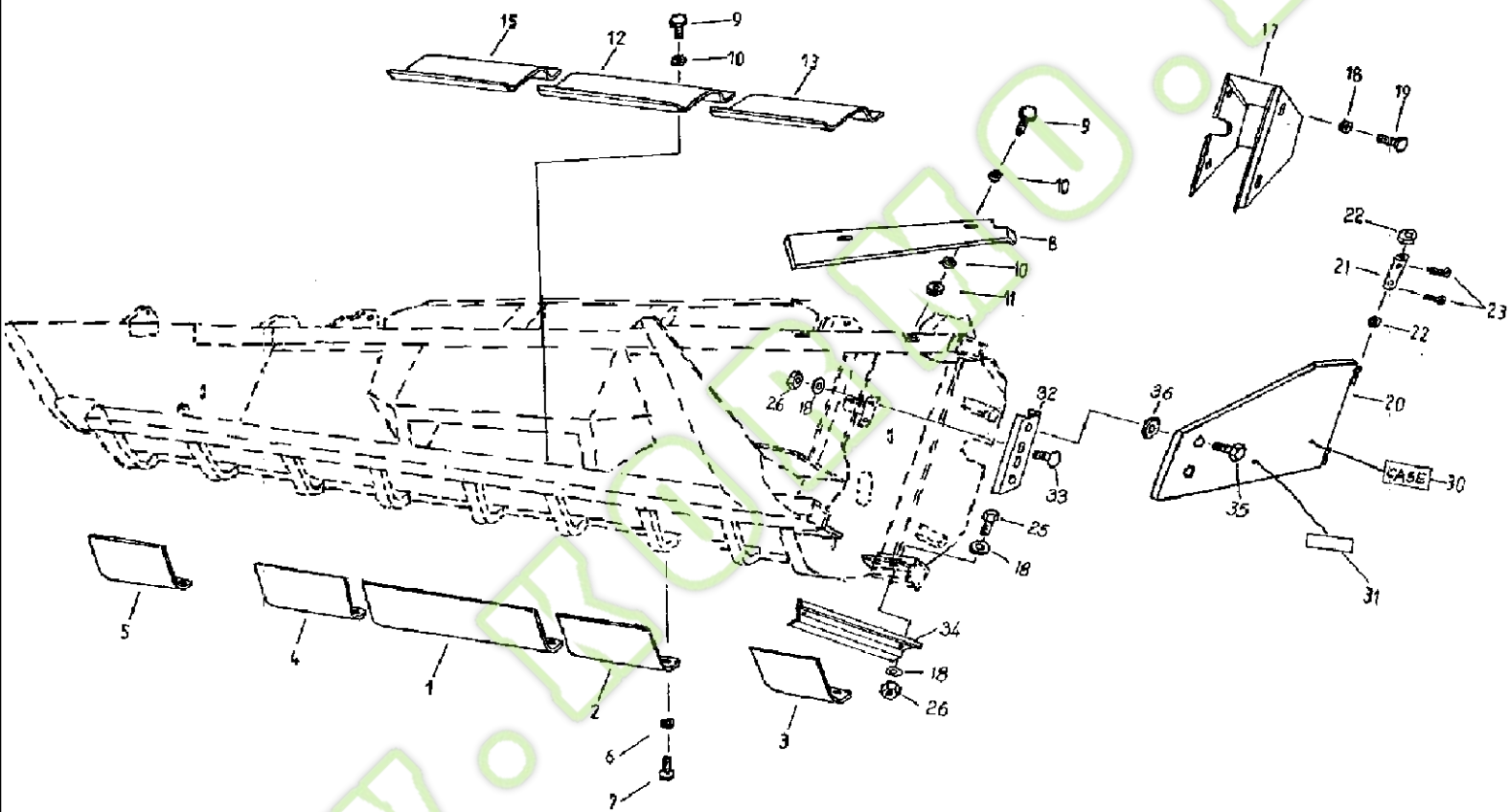
01-21 REEL SUPPORT - HLS

Ref	Part Number	Qty	Description
1	31283135	1	ARM, REEL, f
2	31283143	1	ARM, REEL, g
3	4223632915	4	BOW,
4	4223632892	4	KEY,
5	9963950194	4	PIN, SPLIT (COTTER), 5 x 25
6	061035806	1	GUIDE, REEL, f
7	061037020	1	GUIDE, g
8	4241021230	2	BUSHING, sliding
9	003617056	1	NIPPLE, LUBE, AM8 x 1
10	061035830	1	PLATE, f
11	061035871	1	PLATE, g
12	061035896	2	SLAT, STRIP support, 4.8 and 5.4m, f
12	061035896	1	SLAT, STRIP support, 6.0m, f
13	061035902	2	PLATE, BACKING, STRIP support, 4.8 and 5.4m, g
13	061035902	1	PLATE, BACKING, STRIP support, 6.0m, g
14	9933977851	5	SCREW, hex, M10 x 75 -8.8
15	006269000	5	NUT, hex, M10 -SW16 -8
16	061043902	1	PINION, WHEEL chain, 35z
18	003799734	2	SHIM, precision, 42 x 52 x 1
19	003791542	6	SHIM, precision, 35 x 45 x 1
20	9965956487	1	KEY, BUCKET TOOTHRT, fitting, A10 x 8 x 63
21	9965962202	1	WASHER, 11 x 50 x 6
22	9961911093	1	WASHER, LOCK, RING spring, A10
23	9933929065	1	SCREW, hex, M10 x 20 -8.8
24	061036985	1	SPROCKET ASSY., WHEEL chain, 15z
25	006340781	7	SCREW, hex, M8 x 16 -8.8
26	9965964928	1	WASHER, 9 x 32 x 4
27	9961911237	1	WASHER, LOCK, RING spring, A8
28	060520587	1	CHAIN (AGRICULTURE), roller, 10B-1 x 66E
29	4221625725	1	TENSIONER, BLOCK fastening
30	9932959385	1	SCREW, hex, M12 x 80 -8.8
31	9960922128	4	WASHER, 14
32	006267177	1	NUT, hex, M12-SW18-8
33	061037094	1	SUPPORT, mount
34	061037053	1	PROTECTOR, reel
35	9999853158	6	PLATE, LOCKING, WASHER, 4.8m, VSF B8
35	9999853158	7	PLATE, LOCKING, WASHER, 5.4m, VSF B8
35	9999853158	6	PLATE, LOCKING, WASHER, 6.0m, VSF B8
36	060510351	2	DECAL, Nr.20
37	060506652	1	DECAL, Nr.21
38	061043910		BLOCK, n.B.



Ref	Part Number	Qty	Description
1	4264715854	1	CYLINDER ASSY., DZ35/25 -250
2	4264715846	1	CYLINDER ASSY., EZ 24.5 -250
3	021362755	2	CYLINDER ASSY., DZ 32/20 -250
4	003793970	5	ELBOW, w-type fitting, EW 8 -L
5	061060784	1	TUBE ASSY., GS1 -1
6	061041611	1	PIPE, GS2
7	061041628	1	PIPE, GS3
8	061060792	1	PIPE, GS4 -1
9	061041740	2	PIPE, GS5
10	061062247	1	PIPE ASSY., 4.8m, GS46
10	061046913	2	TUBE, HYD, 5.4m, GS40
10	061042018	2	TUBE ASSY., 6.0m, GS13
11	061041652	1	TUBE ASSY., GS7
12	061062183	1	PIPE ASSY., 4.8m, GS47
12	061046921	1	TUBE, HYD, 5.4m, GS41
12	061041958	1	PIPE, 6.0m, GS14
13	061062191	1	PIPE ASSY., 4.8m, GS48
13	061046938	1	TUBE, HYD, 5.4m, GS42
13	061041966	1	TUBE ASSY., 6.0m, GS15
14	061062206	1	PIPE ASSY., 4.8m, GS49
14	061046946	1	TUBE, HYD, 5.4m, GS43
14	061041974	1	TUBE ASSY., 6.0m, GS16
15	061062214	1	PIPE ASSY., 4.8m, GS50
15	061046954	1	TUBE, HYD, 5.4m, GS44
15	061041982	1	TUBE ASSY., 6.0m, GS17
16	061062222	1	PIPE ASSY., 4.8m, GS51
16	061046962	1	PIPE, 5.4m, GS45
16	061041990	1	TUBE ASSY., 6.0m, GS18
17	061034532	1	MOTOR, HYDRAULIC,
18	003791663	2	ADAPTER, screwing
19	060514580	4	HOSE, PHD 206 x 400 AOL AOL
20	060514597	3	HOSE, PHD 206 x 560 AOL AOL
21	060504722	2	HOSE, PHD 210 x 1400 AOL 45 HL
22	9901635767	3	FITTING, HALF fixed, SKFS 06 HL 3
23	060514603	1	FIXING BRACKET, HALF fixed, SKFS10 HL3
24	060514611	1	SUPPORT, HALF fixed, SKFS10 HL3
25	9901635791	1	GUARD, CAP dust, gn, SKF ZUBS 3
26	9901635775	1	GUARD, CAP dust, rt, SKF ZUBS 3
27	9901635783	1	GUARD, CAP dust, 5.4m and 6.0m, bl, SKF ZUBS 3
28	003799910	1	GUARD, CAP dust, 5.4m and 6.0m, ge, SKF ZUBS 3
29	060519497	1	GUARD, CAP dust, 5.4m and 6.0m, ge, SKF ZUBS 4
30	060514644	1	VALVE, nonreturn, EDR V6
31	060514652	2	ADAPTER, male-en, GE8.-L/R1/8
32	9969946801	10	UNION, G8.-L
33	9969947111	3	UNION, W8.-L

Ref	Part Number	Qty	Description
34	006646314	3	CIRCLIP, 108PP
35	006646187	12	CIRCLIP, 4.8 and 5.4m, 108/08PP
35	006646187	13	CIRCLIP, 6.0m, 108/08PP
36	006646218	3	CIRCLIP, 112/12PP
37	060514732	1	CIRCLIP, 320/20 PPH
38	006646250	3	COVER, PLATE, DP1
39	006646291	20	COVER, PLATE, 4.8 and 5.4m, GD1D
39	006646291	22	COVER, PLATE, 6.0m, GD1D
40	060514724	2	COVER, PLATE, GD3D
41	9933929450	3	SCREW, hex, M6 x 30 -8.8
42	9933959987	10	SCREW, hex, M6 x 35 -8.8
43	9933960128	5	SCREW, hex, M6 x 50 -8.8
44	9933958190	1	SCREW, hex, M8 x 60 -8.8
45	9932932086	2	SCREW, hex, M12 x 40 -8.8
46	9999853100	5	PLATE, LOCKING, WASHER, 4.8 and 5.4m, VSF M6
46	9999853100	6	PLATE, LOCKING, WASHER, 6.0m, VSF M6
47	9999853117	1	PLATE, LOCKING, WASHER, VSF M8
48	006213734	5	NUT, hex, 4.8 and 5.4m, M6 -8
48	006213734	6	NUT, hex, 6.0m, M6 -8
49	006213830	1	NUT, hex, M8 -8
50	006267177	2	NUT, hex, M12 -8
51	003790203	2	PIN, LARGE, BOLT, B12 x 70
52	003780105	2	PIN, LARGE, BOLT, B10 x 75
54	003780074	4	PIN, LARGE, BOLT, B20 x 70
55	061041781	4	SPACER,
56	006511204	2	WASHER, 4.8m, A21
56	006511204	4	WASHER, 5.4 and 6.0m, A21
57	003780113	8	PIN, SPLIT (COTTER), 3.2 x 22
58	9963950274	4	PIN, SPLIT (COTTER), 4.8 and 5.4m, 5 x 32
58	9963950274	8	PIN, SPLIT (COTTER), 6.0m, 5 x 32
59	4264715838	2	SCREW, eye
60	003781026	2	NUT, hex, M18 x 1.5
61	060511498	AR	KIT, GASKET, R n.B., 35/25
62	060511424	AR	KIT, GASKET, R n.B., 24.5
63	060511481	AR	KIT, GASKET, R.n.B., 32/20
64	003781042	1	ADAPTER, screwing, 4.8 and 5.4m, GE 8-LM-ED/OMD

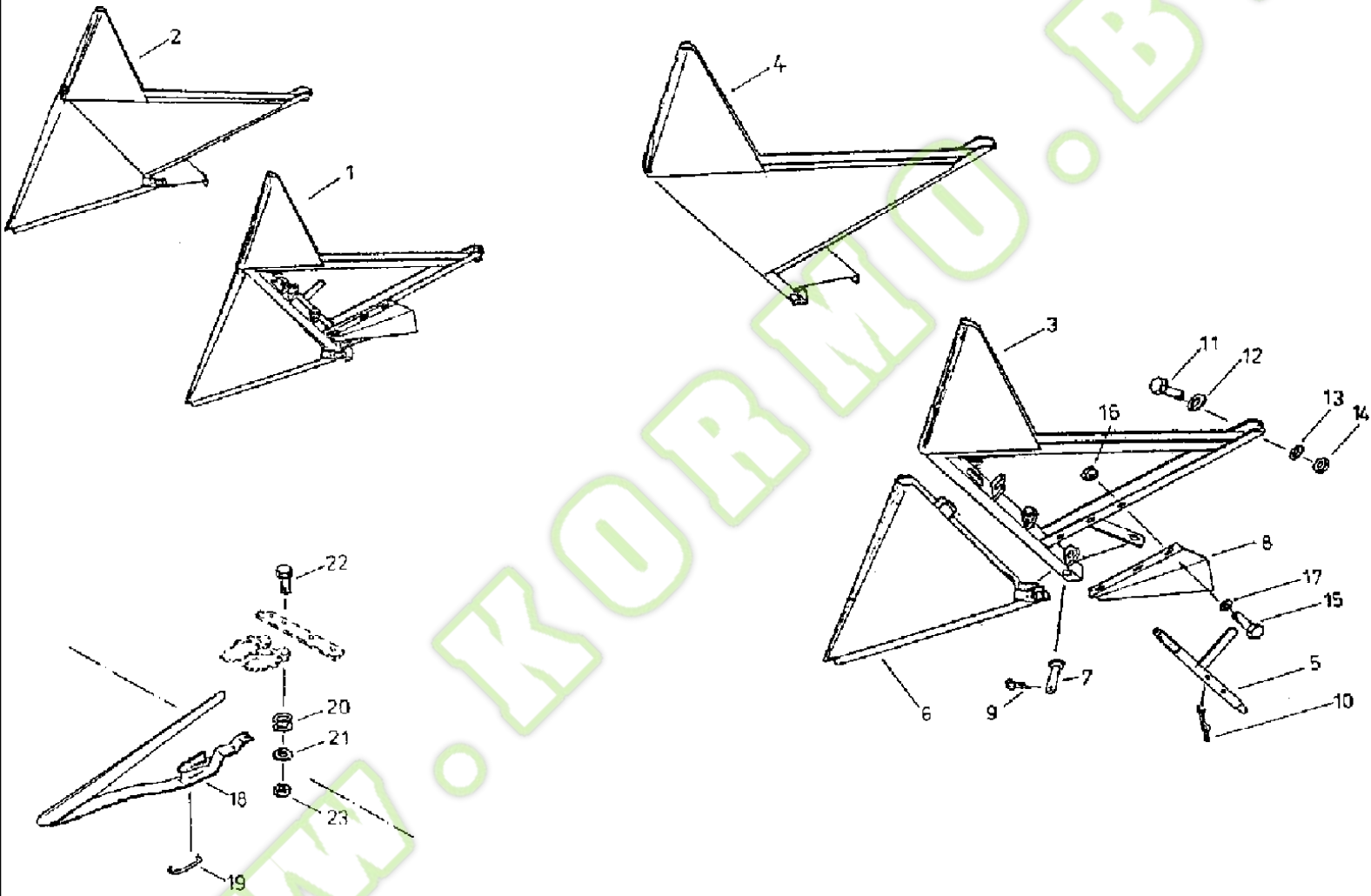


01-27 COWLING - HLS

Ref	Part Number	Qty	Description
1	061042348	1	SHEET, PLATE bottom
2	31282874	1	SHEET, PLATE bottom, 4.8m, f
2	31282890	1	SHEET, PLATE bottom, 5.4m, f
2	31282910	1	SHEET, PLATE bottom, 6.0m, f
3	061042436	1	SHEET, PLATE bottom, 6.0m, f
4	061042397	1	SHEET, PLATE bottom, 4.8m, f
4	061046866	1	SHEET, PLATE bottom, 5.4m, f
4	061042444	1	SHEET, PLATE bottom, 6.0m, g
5	31282882	1	SHEET, PLATE bottom, 4.8m, g
5	31282905	1	SHEET, PLATE bottom, 5.4m, g
5	31282921	1	SHEET, PLATE bottom, 6.0m, g
6	9933931863	9	SCREW, hex, 4.8 and 5.4m, M12 x 25 -8.8
6	9933931863	11	SCREW, hex, 6.0m, M12 x 25 -8.8
7	9999853174	9	PLATE, LOCKING, WASHER, 4.8 and 5.4m, VSF B12
7	9999853174	11	PLATE, LOCKING, WASHER, 6.0m, VSF B12
8	061036261	1	COVER, PROTECTIVE,
9	9933930001	39	SCREW, hex, 4.8m, M8 x 20 -8.8
9	9933930001	23	SCREW, hex, 5.4m, M8 x 20 -8.8
9	9933930001	27	SCREW, hex, 6.0m, M8 x 20 -8.8
10	9999853158	42	PLATE, LOCKING, hex, 4.8m, VSF B8
10	9999853158	38	PLATE, LOCKING, hex, 5.4m, VSF B8
10	9999853158	78	PLATE, LOCKING, hex, 6.0m, VSF B8
11	006213830	3	NUT, hex, 4.8m, M8 -8
11	006213830	21	NUT, hex, 5.4m, M8 -8
11	006213830	27	NUT, hex, 6.0m, M8 -8
12	061049426	1	SHEET, stuffing box screwing
13	061048634	1	SHIELD, stuffing box screwing, 4.8m, f
13	061049370	1	PLATE, stuffing box screwing, 5.4m, f
13	31283408	1	SHEET, stuffing box screwing, 6.0m, f
15	061048650	1	PLATE, stuffing box screwing, 4.8m, g
15	061049401	1	PLATE, stuffing box screwing, 5.4m, g
15	31283416	1	SHEET, stuffing box screwing, 6.0m, g
17	061035750	1	PROTECTOR,
18	9999853166	12	PLATE, LOCKING, WASHER, VSF B10
19	9933929065	4	SCREW, hex, M10 x 20 -8.8
20	061049475	1	PANEL, SIDE, GUARD
21	007611063	2	PIN, LARGE, BOLT, B10 x 80
22	060500438	4	SHIM, adjusting, 10 x 16
23	9963949762	4	PIN, SPLIT (COTTER), 3.2 x 16
25	006344037	4	SCREW, hex, M10 x 25 -8.8
26	006213935	6	NUT, hex, M10 -8
30	09168805	1	DECAL,
31	060506652	1	DECAL, Nr. 21
32	061049506	1	CLAMP, SPECIAL, stud
33	9945926284	1	SCREW, saucer head, M10 x 20 -8.8

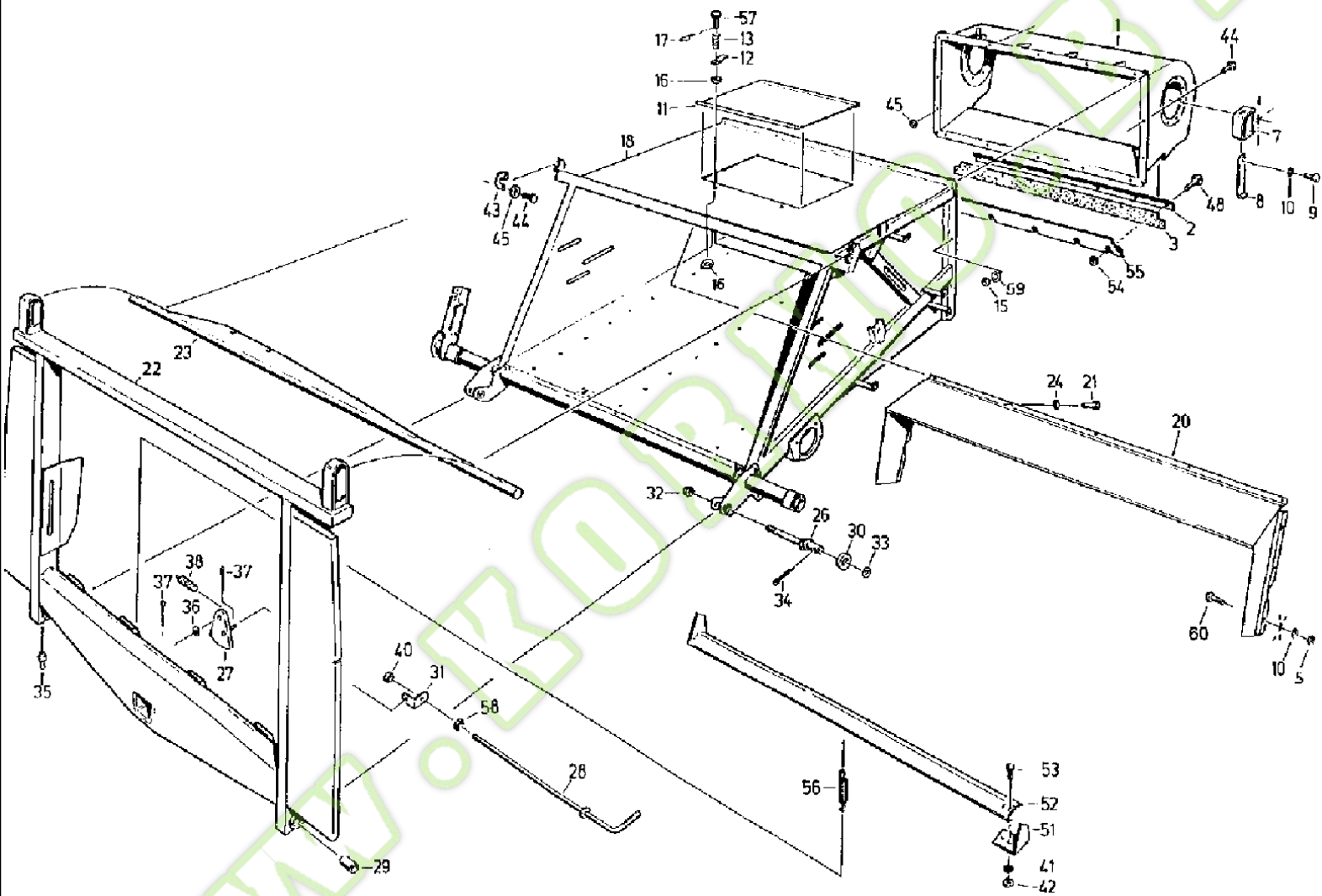
Ref	Part Number	Qty	Description
34	061049555	1	PLATE, STEEL, guard
35	060515950	2	PIN, LARGE, BOLT locking, 800-8-A
36	060515967	2	DISC, arrest, 800-VH-NA

WWW.KORMO.BY



01-29 DIVIDER HEAD - HLS

Ref	Part Number	Qty	Description
1	061042838	1	POINT, HEAD divider, f
2	061042991	1	POINT, HEAD divider, g
3	061042846	1	DIVIDER, f
4	061043002	1	DIVIDER, g
5	061042967	2	CONTACT, plug
6	021183664	2	POINT,
7	4268704630	2	PIN, LARGE, BOLT
8	061043027	1	PANEL, deflector
9	006402361	2	PIN, SPLIT (COTTER), 4 x 25
10	060508814	2	SPLIT PIN/SAFETY PIN, PLUG spring, 4
11	9933932028	6	SCREW, hex, M12 x 35 -8.8
12	9965924406	6	WASHER, 14 x 40 x 8
13	9999853174	6	PLATE, LOCKING, WASHER, VSF B12
14	006214140	6	NUT, hex, M12 -8
15	9933930001	3	SCREW, hex, M8 x 20 -8.8
16	006213830	3	NUT, hex, M8 -8
17	9999853158	3	PLATE, LOCKING, WASHER, VSF B8
18	4264716308	18	LIFTER, GRAIN, ear, AS-100
19	4264716324	AR	CLASP, locking, n.B.
20	4264716316	18	ROLLER, JD-2
21	9965921870	18	WASHER, 11 x 25 x 4
22	9933929057	18	SCREW, hex, M10 x 55 -8.8
23	006213935	18	NUT, hex, M10 -8



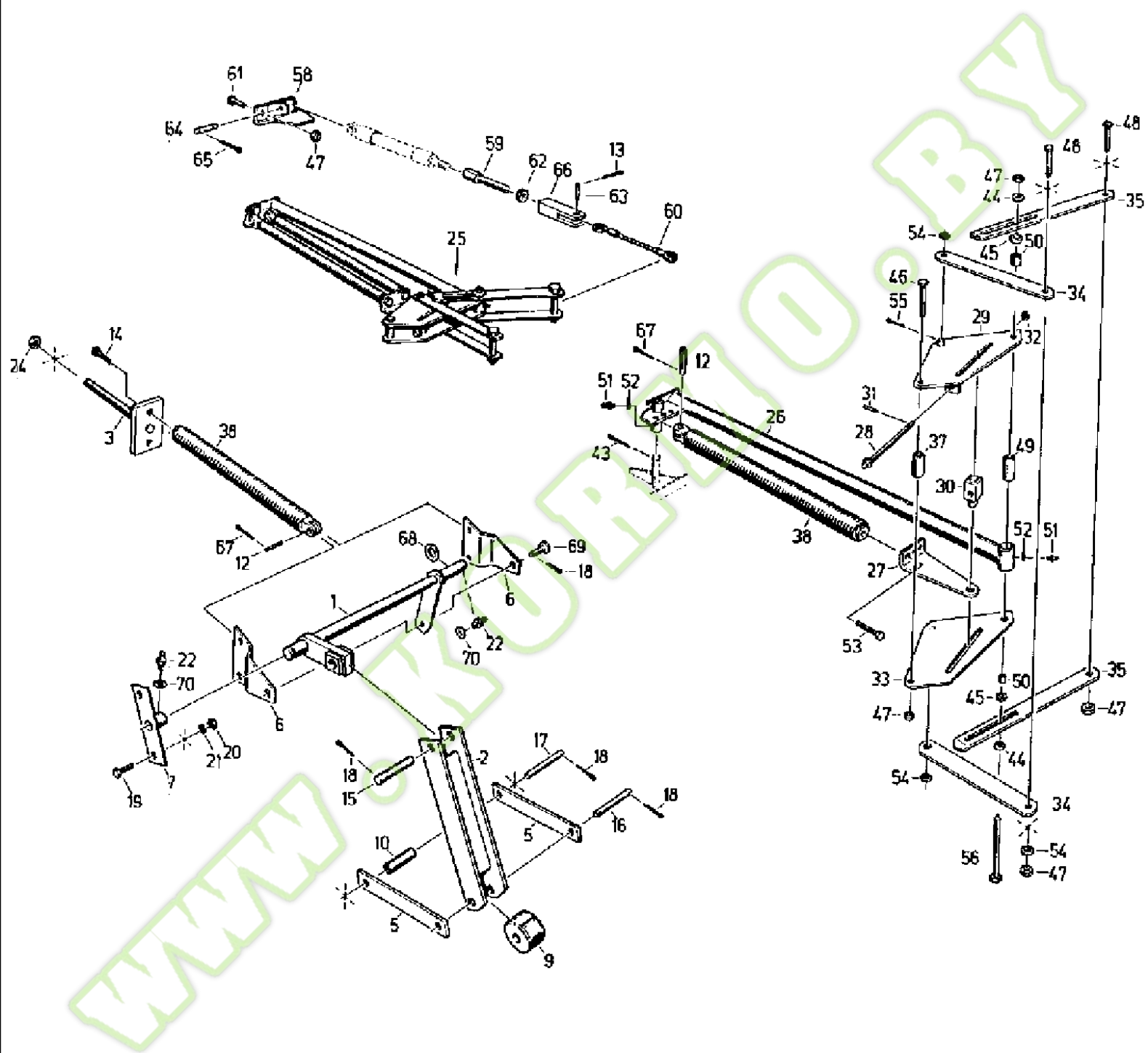
01-31 CHANNEL HOUSING

Ref	Part Number	Qty	Description
1	060197124	1	CASE,
2	060038512	1	SLAT, gib
3	061064265	1	JOINT, RUBBER, SEAL
5	006214776	6	NUT, hex, M8 -10
7	4260701877	2	RETAINER, bracket
8	4260701885	2	HOOK,
9	006340781	2	SCREW, hex, M8 x 16 -8.8
10	9961910976	8	SPRING, WASHER lock, B8
11	4221600114	1	COVER, channel
12	4221600130	2	BLANK-OFF PLUG, closure
13	9973879738	2	SPRING, COMPRESSION, A2, 2 x 15 x 5.5
15	006267177	16	NUT, hex, M12 -8
16	9960921787	4	WASHER, A10.5
17	9963949762	2	PIN, SPLIT (COTTER), 3.2 x 16
18	060195725	1	BOTTOM, channel
20	4260702507	1	COVER, HOOD sealing
21	9933929161	5	SCREW, hex, M6 x 10 -8.8
22	061064224	1	FRAME,
23	4260702523	1	BEAM ASSY., PENDULUM
24	006510228	5	WASHER, B6.4
26	4260702580	2	ARCH, BOLT adjusting
27	4260702597	1	LATCH, PEDALS, locking
28	4260702603	1	ARRESTER, catch
29	4260702531	2	BUSHING,
30	4260702548	2	ROLLER, SHIFTER,
31	4260702556	1	ANGLE BAR,
32	060501672	2	NUT, hex, M24 x 2 -6
33	9960922931	2	WASHER, 33
34	9963950828	2	PIN, SPLIT (COTTER), 8 x 50
35	003617056	2	NIPPLE, LUBE, AM8 x 1
36	9960962055	1	WASHER, 18
37	9963950145	2	PIN, SPLIT (COTTER), 4 x 28
38	9974882740	1	SPRING, TENSION, A2, 5 x 28 x 16 A1
40	9954897654	1	NUT, hex, VM12-SW18-8
41	9999853158	2	PLATE, LOCKING, WASHER, VSF B8
42	006213830	2	NUT, hex, M8 -8
43	060199858	2	CLASP,
44	006346666	22	SCREW, hex, M12 x 30 -8.8
45	9999853125	2	PLATE, LOCKING, WASHER, VSF M12
48	9945926268	2	SCREW, round-head, M8 x 25 -8.8
51	4260702564	1	COVER, ANGLE sealing
52	4260702572	1	SEAL, profile
53	9945926163	2	SCREW, round-head, M8 x 20 -8.8
54	003794537	7	NUT, hex, VM8 -8
55	060038537	1	DEFLECTOR,

01-31 CHANNEL HOUSING

Ref	Part Number	Qty	Description
56	9974882757	4	SPRING, TENSION, B2 x 18 x 40 Aa2
57	9949863072	2	PIN, LARGE, BOLT, B10h11 x 30 x 24
58	006214140	1	NUT, hex, M12 -8
59	006511044	18	WASHER, A 13
60	9933930001	6	SCREW, hex, M8 x 20 -8.8

WWW.KORMO.BY



01-35 WEIGHT COMPENSATION

Ref	Part Number	Qty	Description
1	060195983	1	LEVERSHAFT,
2	4260702283	1	BRAKE, ROD connecting
3	4260702291	1	ROD, ADJUSTMENT, SCREW
5	4260702314	2	LEVER, ROCKER,
6	061026331	2	SHIN, strap
7	061026323	1	BEARING,
9	4260702355	1	ROLLER, SHIFTER,
10	4260702363	1	SPACER,
12	003781122	4	PIN, LARGE, BOLT, B12 h11 x 50
13	006402361	2	PIN, SPLIT (COTTER), 4 x 25
14	9933932028	2	SCREW, hex, M12 x 35 -8.8
15	9949864008	1	PIN, LARGE, BOLT, B16 h11 x 60
16	9949864153	1	PIN, LARGE, BOLT, B16 h11 x 70
17	060162557	1	PIN, LARGE, BOLT, B16 h11 x 85
18	9963950032	6	PIN, SPLIT (COTTER), 4 x 32
19	9933930001	2	SCREW, hex, M8 x 20 -8.8
20	006214776	2	NUT, hex, M8 -10
21	9999853158	2	PLATE, LOCKING, WASHER, VSF B8
22	9920925492	2	NIPPLE, LUBE, AM 6
24	9950896913	1	NUT, hex, M16 -10
25	060195901	1	ACCUMULATOR, spring
26	061033025	1	ROD, connecting
27	061026436	1	YOKE, LINKAGE, LEVER brake compensating
28	061026477	1	SPINDLE,
29	060195934	1	SHIN, strap
30	061064064	1	SHIN, PIECE articulated
31	9967942615	1	PIN, PLAIN grooved, 4 x 25
32	9960921988	1	WASHER, 13
33	060195967	1	SHIN, strap
34	060195918	2	STAY,
35	4260702451	2	STAY,
37	4260702476	1	SLEEVE,
38	4131771881	4	SPRING, TENSION,
43	9963950547	1	PIN, SPLIT (COTTER), 6.3 x 45
44	9965902235	2	WASHER, 14 x 45 x 6
45	9965964848	2	WASHER, 22 x 50 x 6
46	9932959385	1	SCREW, hex, M12 x 80 -8.8
47	9954897654	6	NUT, hex, VM12 -8
48	061026428	2	SCREW,
49	4260702468	1	SLEEVE,
50	4260702492	2	BUSHING,
51	003617056	2	NIPPLE, LUBE, AM8 x 1
52	060501100	2	WASHER, A8 .4
53	060516833	2	SCREW, hex, M12 x 140 -8.8
54	9960922353	2	WASHER, 17

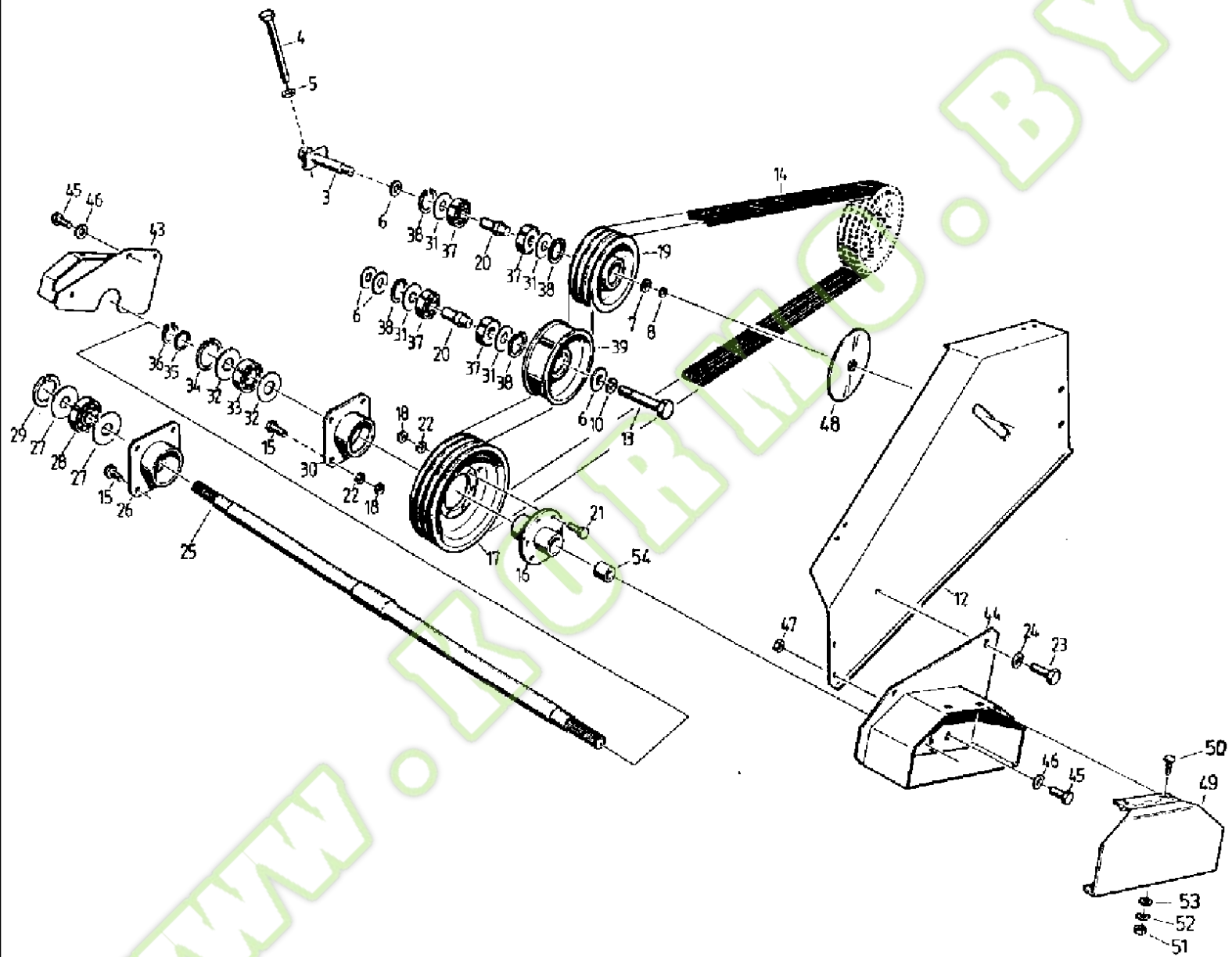
01-35 WEIGHT COMPENSATION

Ref	Part Number	Qty	Description
55	060512128	2	SPLIT PIN/SAFETY PIN, roll, 5 x 40
56	006303375	1	SCREW, hex, M12 x 120 -8.8
58	4260715288	1	BRACKET,
59	060129234	1	CLEVIS,
60	003799043	1	ROPE,
61	006346666	2	SCREW, hex, M12 x 30 -8.8
62	006222647	1	NUT, hex, M16 x 1.5 -04
63	9949863972	1	PIN, LARGE, BOLT, B16 h11 x 50 x 38
64	9949865878	1	PIN, LARGE, BOLT, B20 h11 x 65 x 48
65	9963950274	2	PIN, SPLIT (COTTER), 5 x 32
66	003799107	1	CRADLE, G16 x 64
67	9963949795	8	PIN, SPLIT (COTTER), 3.2 x 20
68	9960922876	3	WASHER, 26
69	9949863964	1	PIN, LARGE, BOLT, B16 h11 x 35 x 28
70	060510927	2	WASHER, A6.4

WWW.KORMO.BY

Ref	Part Number	Qty	Description
1	4260701893	1	SHAFT, DRIVE,
2	4260701908	2	SLEWING RING, RIM toothed
3	4260701916	1	SLEWING RING, RIM toothed
4	4260701924	1	BEARING, FLANGE
5	4260701932	1	BEARING, FLANGE
6	4260702765	1	GROOVED PULLEY, V-BELT
7	4260707560	1	PROTECTOR,
8	9961920004	6	WASHER, SPRING, B10
9	060196910	1	STEM, STRUT support
13	4260701981	4	SEAL WASHER,
15	4260715142	1	GROOVED PULLEY, V-BELT
16	9902892982	1	BEARING, ball, 6014 RS
17	9902892990	1	BEARING, ball, 6015 RS
18	9902889384	2	BEARING, self-aligning ball, 1209
19	060501455	2	CIRCLIP, 45 x 1.6
20	9965921235	4	SHIM, precision, 45 x 55 x 1
21	9950896247	8	NUT, hex, M10 -10
23	006282168	6	SCREW, cheese-head, M10 x 30 -10.9
24	006213935	7	NUT, hex, M10 -8
25	9961911085	7	WASHER, LOCK, SPRING, B10
26	060512273	16	SCREW, countersunk, M10 x 25 -5.8
27	006269000	16	NUT, hex, M10 -8
31	4260702041	1	SHAFT, GUIDE
34	4260702074	1	PLATE, LARGE, fastening
35	4260702082	1	PLATE, LARGE, fastening
36	4260702090	2	LEVER, ROCKER,
37	4260702105	2	ANGLE, BRACKET stop
38	4260702113	2	COWL, covering
39	9902888270	2	CARRIER, BEARING, FLANGE, FGE 205
40	9964917192	2	CIRCLIP, 25 x 1.2
41	9920925515	2	NIPPLE, LUBE, BM8 x 1
42	9945926307	4	SCREW, round-head, M10 x 25 -8.8
44	9965921991	4	WASHER, 11 x 40 x 5
46	9965923518	2	WASHER, 18 x 32 x 4
47	9961911462	2	WASHER, LOCK, SPRING, B16
48	9950896913	2	NUT, hex, M16 -10
49	006511204	2	WASHER, A 21
50	9963950274	2	PIN, SPLIT (COTTER), 5 x 32
51	9950896310	4	NUT, hex, M12 -10
53	9933931123	7	SCREW, hex, M10 x 30 -8.8
54	9964919418	1	DISC, C11 x 50
56	4260702121	1	CONVEYOR, BAND
57	4221601783	46	SLAT, FEED conveyor
58	060034172	2	CHAIN (AGRICULTURE), roller
59	060034180	1	CHAIN (AGRICULTURE), roller

Ref	Part Number	Qty	Description
60	9971899526	182	RIVET, round-head, 8 x 16
61	006340781	2	SCREW, hex, M8 x 16 -8.8
62	003792053	16	NUT, hex, VM8 -8
63	4260702154	1	STEM, SUPPORT
64	4260702162	3	BAR, GIB supporting
65	4260702170	4	BLOCK,
66	4260702187	3	SLAT, GIB bearing
67	006343880	8	SCREW, hex, M10 x 22 -8.8
69	9933929973	6	SCREW, hex, M8 x 25 -8.8
70	9960919831	66	WASHER, 9
71	9961921673	6	WASHER, R9
72	9938927741	33	SCREW, slotted pan head, M6 x 12 -4.8
73	006213734	33	NUT, hex, M6 -8
74	006576010	33	WASHER, locking, VSF M6
80	4260711854	1	DRIVE DOG,
81	4260711846	1	CASE,
82	4260715271	1	ROPE PULLEY, SHEAVE
83	9948987043	3	STUD, M16 x 50 -8.8
84	006267152	3	NUT, hex, M16 -8
85	4260713077	2	WASHER,
86	9999853166	11	PLATE, LOCKING, WASHER, VSF B10
87	9950897818	8	NUT, hex, VM10 -8
88	9999853158	16	PLATE, LOCKING, WASHER, VSF B8
89	060196927	2	COWL,
90	060196935	1	SHROUD ASSY., cowling, f
91	060196943	1	SHROUD ASSY., cowling, g
92	9960921787	8	WASHER, A10.5
93	9933930001	16	SCREW, hex, M8 x 20 -8.8



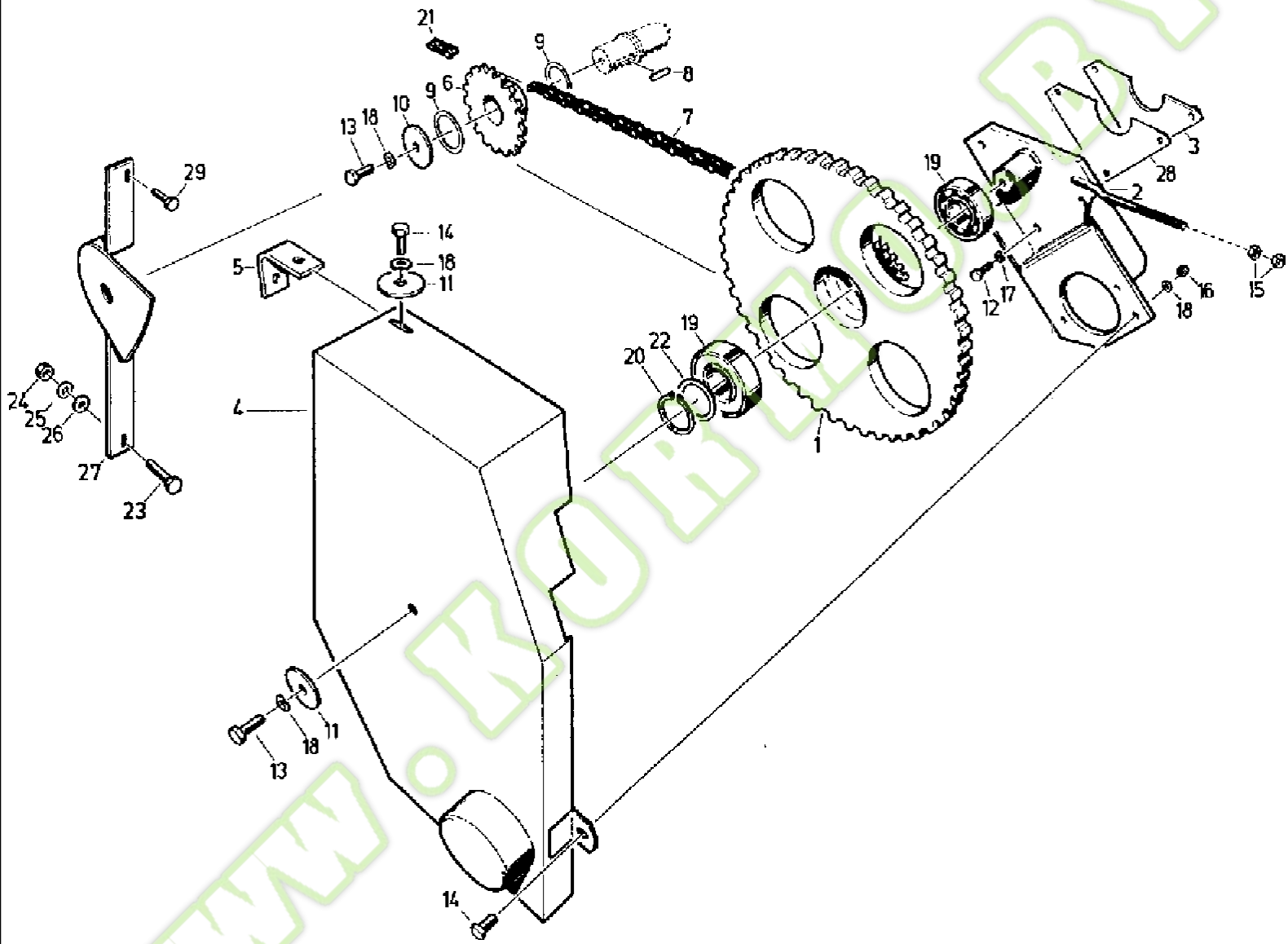
01-43 OUTPUT MEMBER

Ref	Part Number	Qty	Description
3	4260715150	1	PIN, LARGE, BOLT tensioning
4	4260715167	1	STEM, spindle
5	4221602872	1	WASHER,
6	9965924623	4	WASHER, 22 x 45 x 5
7	9960964450	1	WASHER, 17
8	9961911462	1	WASHER, LOCK, SPRING, B16
10	9961911583	1	WASHER, LOCK, SPRING, B20
12	4260715175	1	PROTECTOR,
13	003790670	1	SCREW, hex, M20 x 100 -8.8
14	4260715183	1	V-BELT, composite, 3 HB 4060
15	006344037	8	SCREW, hex, M10 x 25 -8.8
16	060196742	1	FLANGE,
17	4260715126	1	GROOVED PULLEY, V-BELT
18	9950896247	14	NUT, hex, M10 -10
19	4260696082	1	TIGHTENER SHEAVE, Inter. idler
20	4260715134	2	BUSHING,
21	9933931123	6	SCREW, hex, M10 x 30 -8.8
22	9999853166	14	PLATE, LOCKING, WASHER, VSF B10
23	9933930001	4	SCREW, hex, M8 x 20 -8.8
24	9999853158	4	PLATE, LOCKING, WASHER, VSF B8
25	060196734	1	SHAFT,
26	4260702644	1	HOUSING, BEARING, g
27	4260702652	2	SEAL WASHER,
28	9902889384	1	BEARING, self-aligning ball, 1209
29	9964917842	1	CIRCLIP, 85 x 3
30	4260715101	1	HOUSING, BEARING, f
31	4221613063	4	SEAL WASHER,
32	4260702267	2	SEAL WASHER,
33	9902889608	1	BEARING, self-aligning ball, 1210
34	9964917850	1	CIRCLIP, 90 x 3
35	9962918322	1	CIRCLIP, A50
36	9964917303	1	CIRCLIP, 50 x 2
37	9902890474	4	BEARING, ball, 6206 RS
38	9964917818	4	CIRCLIP, 62 x 2
39	060201870	1	TIGHTENER SHEAVE, PULLEY idle
43	060037407	1	SHIELD, P-T-O-shaft, g
44	060037351	1	PLATE, GUARD P-T-O-shaft, f
45	006338385	4	SCREW, hex, M6 x 16 -8.8
46	060150770	6	PLATE, LOCKING, WASHER, VSF B6
47	006213734	2	NUT, hex, M6 -8
48	061004697	1	COVER, PROTECTIVE, WASHER
49	060037431	2	COVER,
50	9945926075	4	SCREW, round-head, M6 x 16 -8.8
51	006267111	4	NUT, hex, M6 -8
52	9961919927	4	WASHER, SPRING, B6

01-43 OUTPUT MEMBER

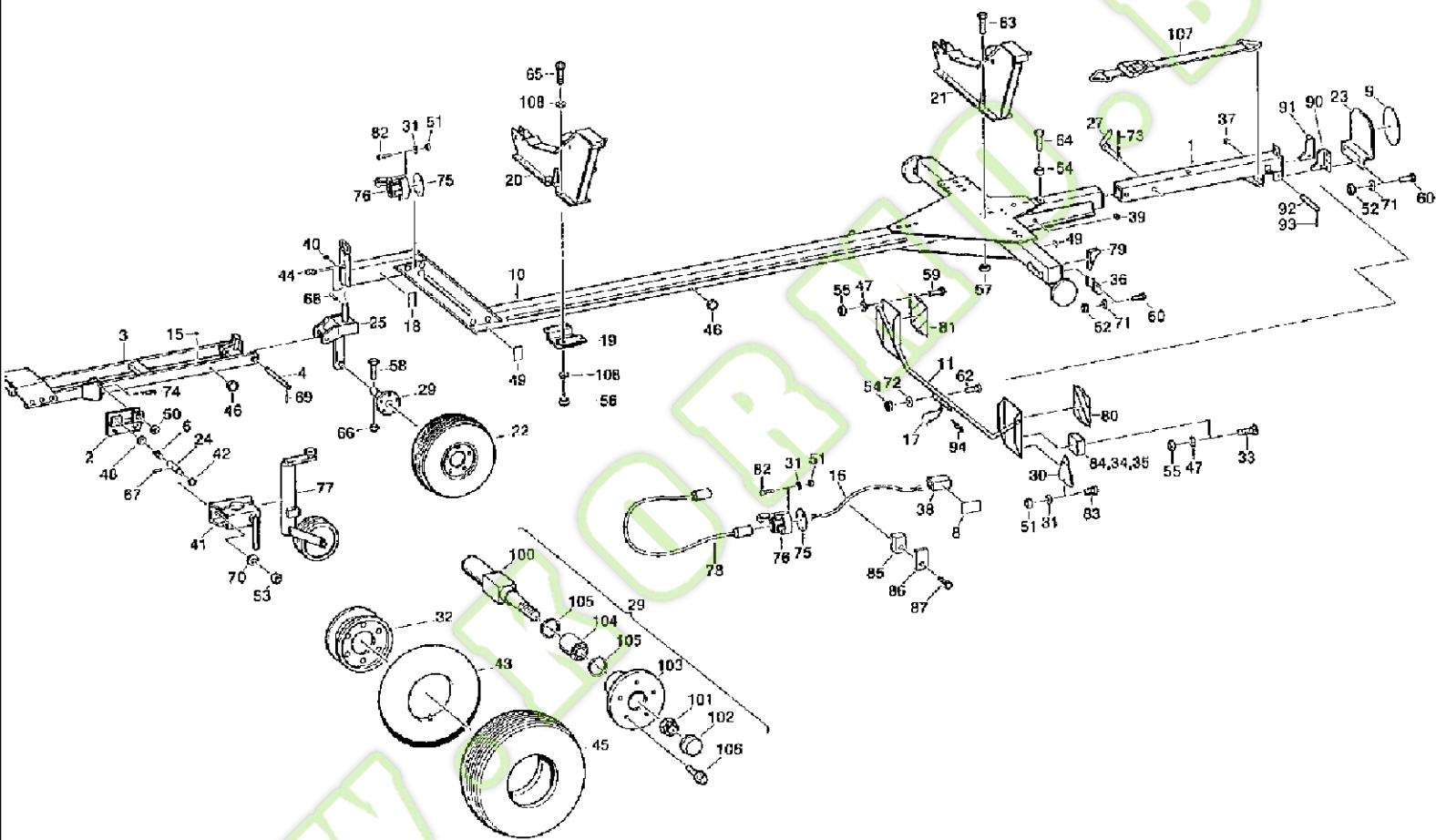
Ref	Part Number	Qty	Description
53	9960921633	4	WASHER, A8.4
54	060196726	1	BACK-UP RING, SUPPORT

WWW.KORMO.BY



01-47 MOWER REVERSING GEAR

Ref	Part Number	Qty	Description
1	4260711918	1	WHEEL,
2	4260711901	1	BASE, PLATE
3	4260711887	1	PLATE, threaded
4	4260711870	1	GUARD,
5	4260711895	1	RETAINER,
6	4260711862	1	DRIVE SPROCKET, 19z
7	060504843	1	CHAIN (AGRICULTURE), roller, 12-B-1 x 62E
8	9965956446	1	KEY, BUCKET TOOTHRT, FITTING, 10 x 8 x 45
9	9965967770	8	SHIM, precision, 42 x 52 x 2
10	060162315	1	DISC, C11 x 50
11	9964965183	2	DISC, C11 x 32
12	9933932028	3	SCREW, hex, M12 x 35 -8.8
13	9933931123	2	SCREW, hex, M10 x 30 -8.8
14	006344037	2	SCREW, hex, M10 x 25 -8.8
15	006214140	2	NUT, hex, M12 -8
16	006213935	1	NUT, hex, M10 -8
17	006501557	3	WASHER, SPRING, B12
18	9961920004	4	WASHER, SPRING, B10
19	9902890505	2	BEARING, ball, 6207 RS
20	9964917248	1	CIRCLIP, 35 x 1.5
21	9917905716	1	LINK, CHAIN, D12 B-1
22	003791542	AR	SHIM, precision, n.B., 35 x 45 x 1
23	9933930001	1	SCREW, hex, M8 x 20 -8.8
24	006213830	2	NUT, hex, M8 -8
25	9999853117	2	PLATE, LOCKING, WASHER, VSF M8
26	9960921633	2	WASHER, A8 .4
27	060038352	1	PROTECTOR, inlet
28	060038311	AR	PLATE, n.B.
29	006341397	1	SCREW, hex, M8 x 30 -8.8



01-49 MOWER TRAILER - HLS

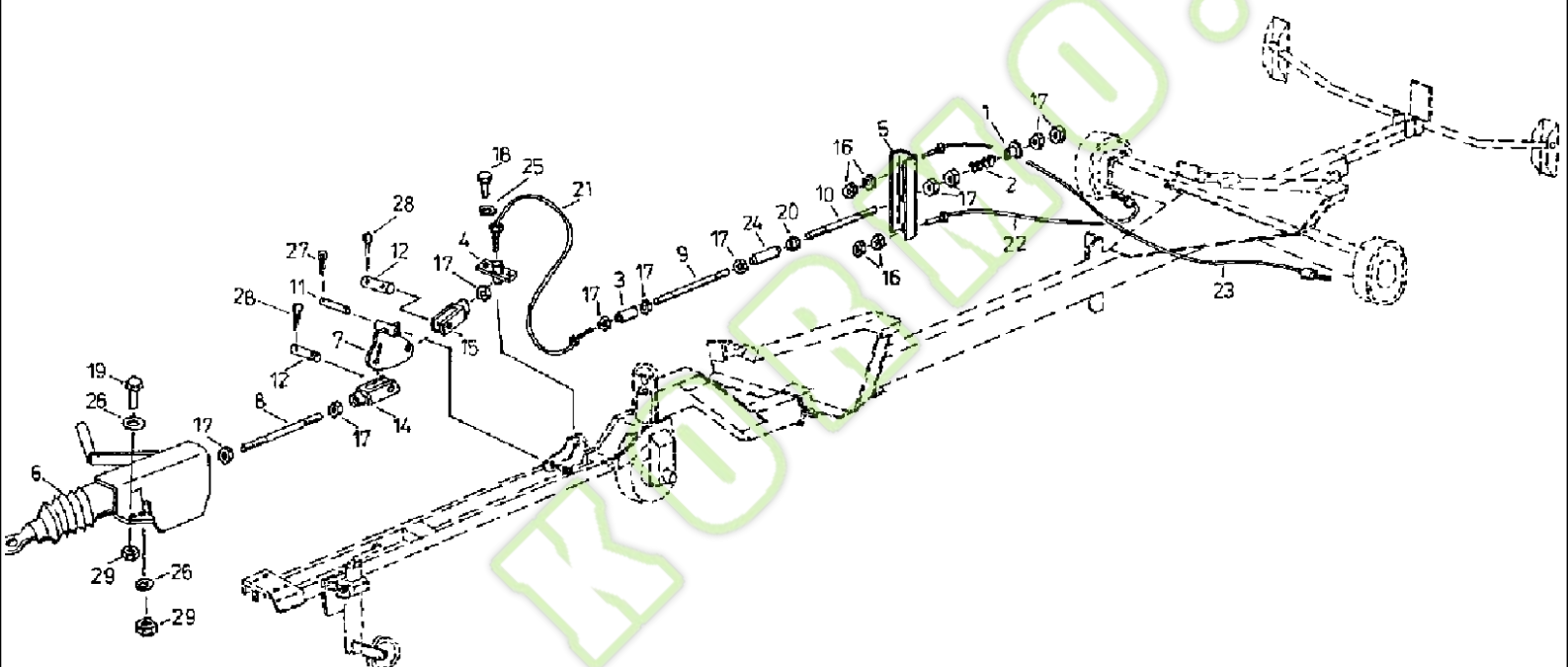
Ref	Part Number	Qty	Description
1	061041121	1	CARRIER, HOLDER light, 4.8/5.4m
1	061041000	1	CARRIER, HOLDER light, 6.0m
2	061039690	1	ANCHOR, fastening
3	061038938	1	TOW BAR,
4	061039801	1	SCREW, BAR tow
6	9973879424	1	SPRING, COMPRESSION, B1, 8 x 24 x 5.5
8	061039867	1	BLADE, inlet
9	060000202	1	DECAL, PLATE
10	061040860	1	FRAME, 16/18 ft, 4.8/5.4m
10	061038351	1	FRAME, 20/22 ft, 6.0m
11	061039625	1	FRAME,
15	4240031395	8	SLEEVE,
16	061041234	1	CABLE, 4.8/5.4m
16	061040852	1	CABLE, 6.0m
17	060175473	2	CABLE,
18	009113301	3	SYMBOLS,
19	060178660	2	STIRRUP, BOW clamping
20	31283272	1	SUPPORT, TRESTLE
21	31283377	1	SUPPORT, TRESTLE
22	061039377	1	WHEEL,
23	061039826	1	PLATE, LARGE,
24	061039746	1	BOLT, locking
25	061038786	1	FORK, front
27	061039770	1	PIN, SPLIT (COTTER),
29	060513530	1	PIN, LARGE, axle, type VL10
30	060502616	2	SPOTLIGHT, rear reflector
31	9961919902	7	WASHER, SPRING, B5
32	060515001	1	RIM, WHEEL disk
33	9938928076	4	SCREW, lens-head, M6 x 20 -5.8
34	9019974357	4	BULB, 21W 24V
35	060500647	2	BULB, 10W 24V
36	060502665	2	SUPPORT, BRACKET
37	9972877046	6	GROMMET, CABLE
38	060502673	1	CONNECTOR, CABLE
39	060503014	1	GROMMET, CABLE
40	003617056	2	NIPPLE, LUBE,
41	060514958	1	HOLDER, clamping
42	9910883908	1	BUTTON, HANDLE ball, CS2FS
43	060502593	1	AIR TUBE, 185-14
44	006609262	2	SHIM, precision, 50 x 62 x 2
45	060502585	1	TIRE, RUBBER, 185 R14C 8PR
46	060500575	8	REFLECTOR,
47	006510927	12	WASHER, A6.4
48	006511204	1	WASHER, A 21
49	4221600067	3	DECAL, sliding shield

01-49 MOWER TRAILER - HLS

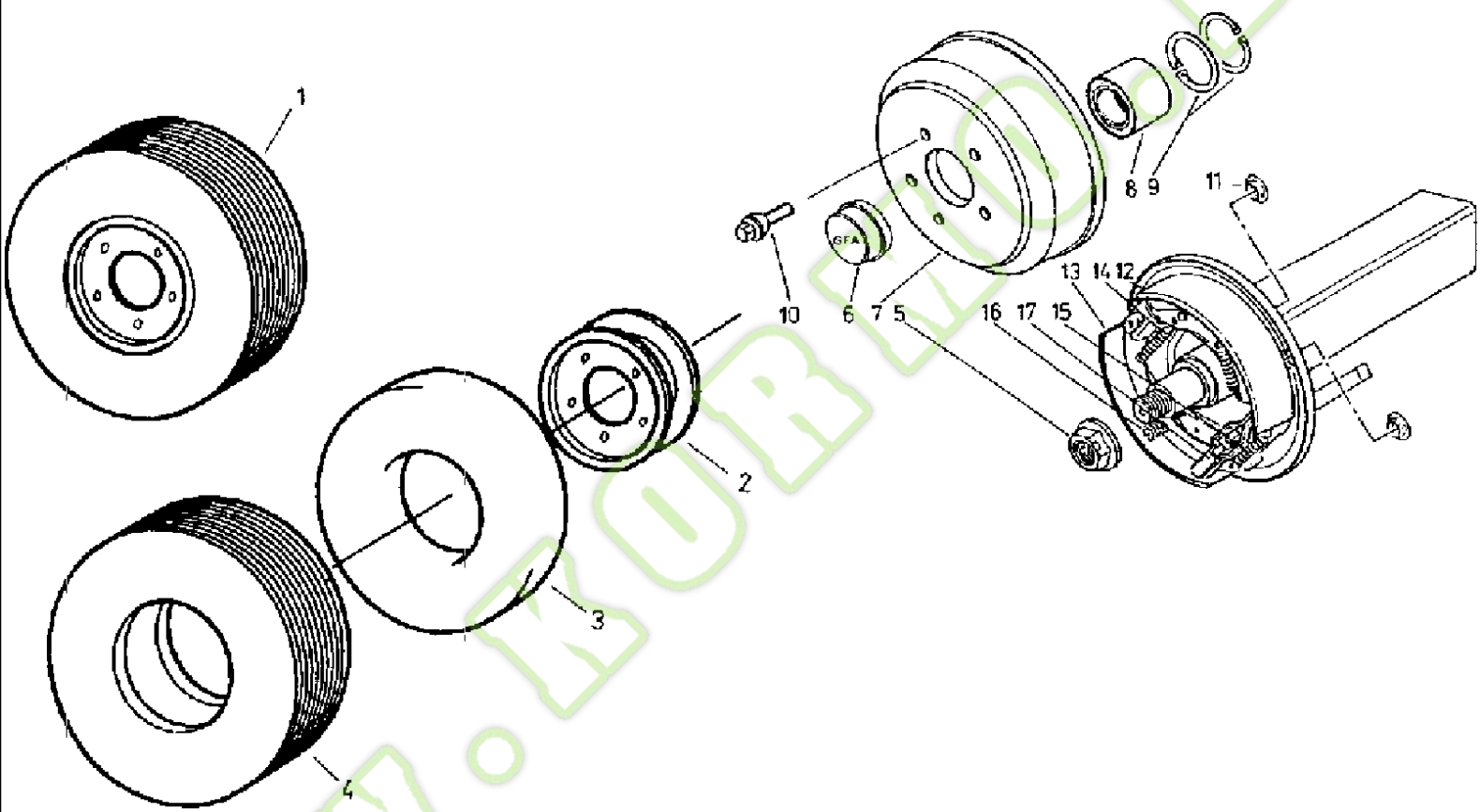
Ref	Part Number	Qty	Description
50	060509261	1	WASHER, 26
51	006213478	7	NUT, hex, M5 -8
52	006213830	10	NUT, hex, M8 -8
53	006213935	2	NUT, hex, M10 -8
54	006214140	5	NUT, hex, M12 -8
55	006267111	12	NUT, hex, M6 -8
56	006267152	4	NUT, hex, M16 -8
57	006267177	8	NUT, hex, M12-SW18 -8
58	9932931735	1	SCREW, hex, M10 x 80 -8.8
59	006338385	8	SCREW, hex, M6 x 16 -8.8
60	006340781	10	SCREW, hex, M8 x 16 -8.8
62	9933931863	4	SCREW, hex, M12 x 25 -8.8
63	006346666	8	SCREW, hex, M12 x 30 -8.8
64	9933932108	1	SCREW, hex, M12 x 40 -8.8
65	060502632	4	SCREW, hex, M16 x 60 -8.8
66	060516076	1	NUT, hex, M10 -8
67	9967942262	1	SPLIT PIN/SAFETY PIN, roll, 5 x 28
68	060501904	1	SPLIT PIN/SAFETY PIN, roll, 10 x 70
69	060516068	2	SPLIT PIN/SAFETY PIN, roll, 6 x 50
70	9999853094	2	PLATE, LOCKING, WASHER, VSF- M10
71	9999853117	10	PLATE, LOCKING, WASHER, VSF-M8
72	9999853125	4	PLATE, LOCKING, WASHER, VSF-M12
73	006402361	1	PIN, SPLIT (COTTER), 4 x 25
75	4140751514	1	PLUG, PLATE socket
76	007067048	1	SOCKET/RECEPTACLE, 7-PLUG
77	060514941	1	PINION, WHEEL support, 200 x 50
78	060516043	1	SHIN, LINE connecting
79	060502657	2	BLOCK, WHEEL chock
80	060515018	1	TAG, CONSOLE warning
81	060515026	1	TAG, CONSOLE warning
82	9936939312	3	SCREW, M5 x 35 -5.8
83	9936938096	4	SCREW, M5 x 16 -5.8
84	060509864	2	LIGHT, TAIL, combined
85	060520923	1	CIRCLIP, BODY, 110PP
86	006646250	1	COVER, PLATE, DP1
87	006334646	1	SCREW, hex, M6 x 30 -8.8
90	061041074	1	HOLDER, SUPPORT angle, f
91	061041105	1	HOLDER, SUPPORT angle, g
92	061040981	1	PIN, LARGE, BOLT
93	9967942262	2	SPLIT PIN/SAFETY PIN, roll, 5 x 28
94	060508814	1	SPLIT PIN/SAFETY PIN, hair, cotter, 4
95	007067048	1	SOCKET/RECEPTACLE, 7-plug
96	4140751514	1	PLUG, PLATE socket
97	9936938231	3	SCREW, M5 x 35 -8.8
98	9961919902	3	WASHER, SPRING, B5

Ref	Part Number	Qty	Description
99	006213478	3	NUT, hex, M5 -8
100	060527503	1	BODY, AXLE
101	060527511	1	SAFETY NUT, lock
102	060527528	1	CAP, hub
103	060527536	1	HUB, WHEEL, 140 x 5
104	060527544	1	SPACER, BEARING compact
105	9964917826	2	CIRCLIP, 72 x 2.5
106	060527552	5	SCREW, WHEEL
107	31283440	2	TENSIONER, tape
108	9999855498	8	X, WASHER locking, VSF M16

WWW.KORMO.BY

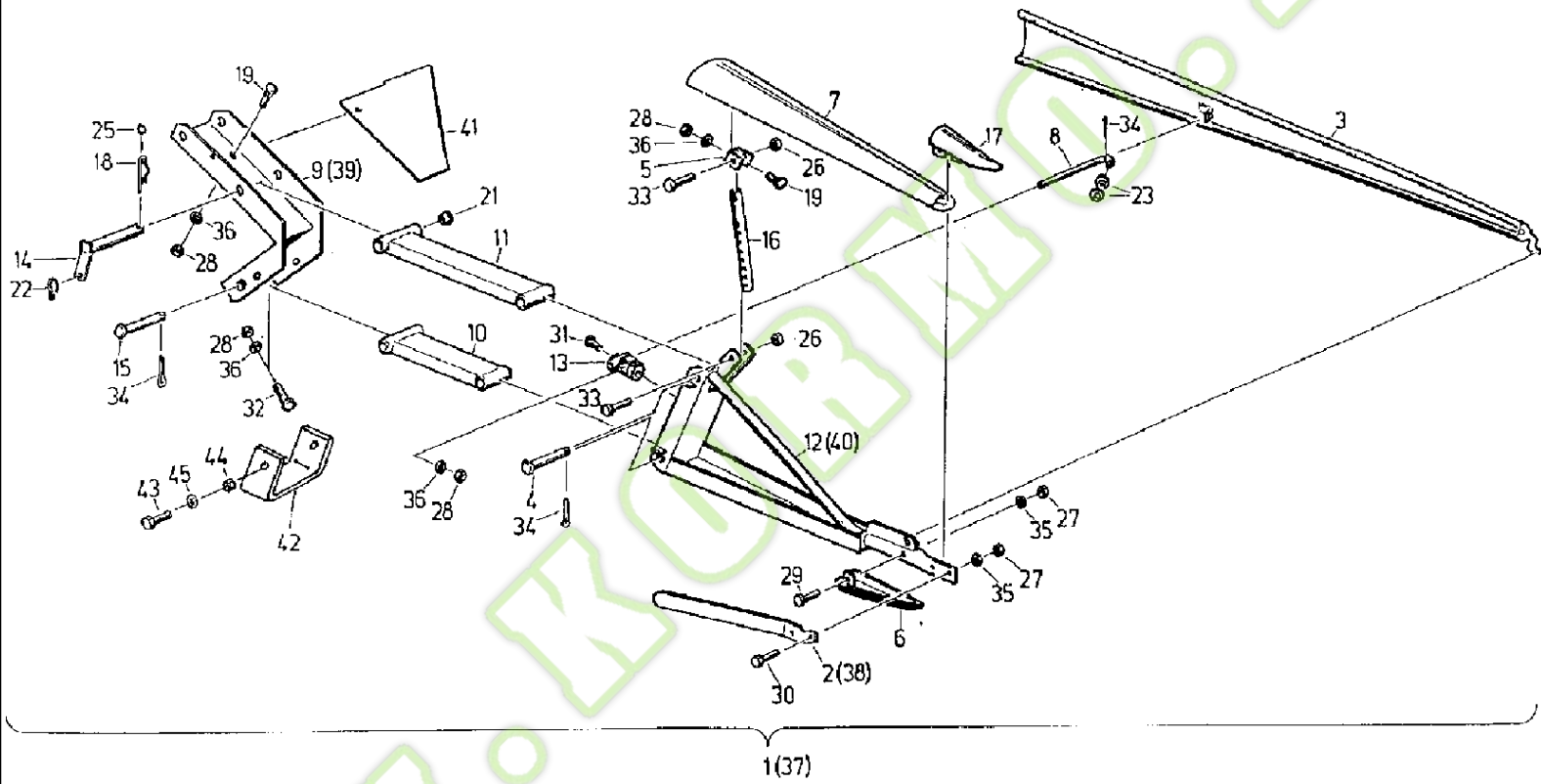


Ref	Part Number	Qty	Description
1	061039512	1	RING, BUSH, C2, 5 x 28 x 17.5
2	061039520	1	SPRING, COMPRESSION,
3	061039473	1	SLEEVE, TRANSMISSION,
4	061039432	1	BRACKET, ROPE
5	061039504	1	SUPPORT, SCALES rope
6	060518375	1	DRAW HOOK, EQUIPMENT, KFZ35-D1
7	061039408	1	LEVER, bent
8	061039465	1	ROD, TIE tension
9	061041201	1	ROD, TIE tension, 4.8/5.4m
9	061040924	1	TRUSS ROD, TIE tension, 6.0m
10	061039498	1	ROD, TIE tension
11	9949864153	1	PIN, LARGE, BOLT, B16 H11 x 70
12	003798854	2	PIN, LARGE, BOLT, B12 H11 x 45 x 32
14	9969883240	1	CRADLE, head, G12 x 48
15	060515942	1	CRADLE, head, G12 x 24
16	006213830	4	NUT, hex, M8 -8
17	006214140	10	NUT, hex, M12 -8
18	9933929065	2	SCREW, hex, M10 x 20 -8.8
19	9933932108	4	SCREW, hex, M12 x 40 -8.8
20	060515975	1	NUT, hex, M12LH -8
21	060515887	1	ROPE, METAL, Bowden
22	060515895	1	ROPE, METAL, Bowden
23	060515901	1	ROPE, METAL, Bowden
24	9952949226	1	NUT, hex, M12
25	9999853094	2	PLATE, LOCKING, WASHER, VSF M10
26	9999853174	6	PLATE, LOCKING, WASHER, VSF B12
27	006402361	2	PIN, SPLIT (COTTER), 4 x 25
28	9963949795	4	PIN, SPLIT (COTTER), 3.2 x 20
29	9954897654	4	NUT, hex, VM12 -8



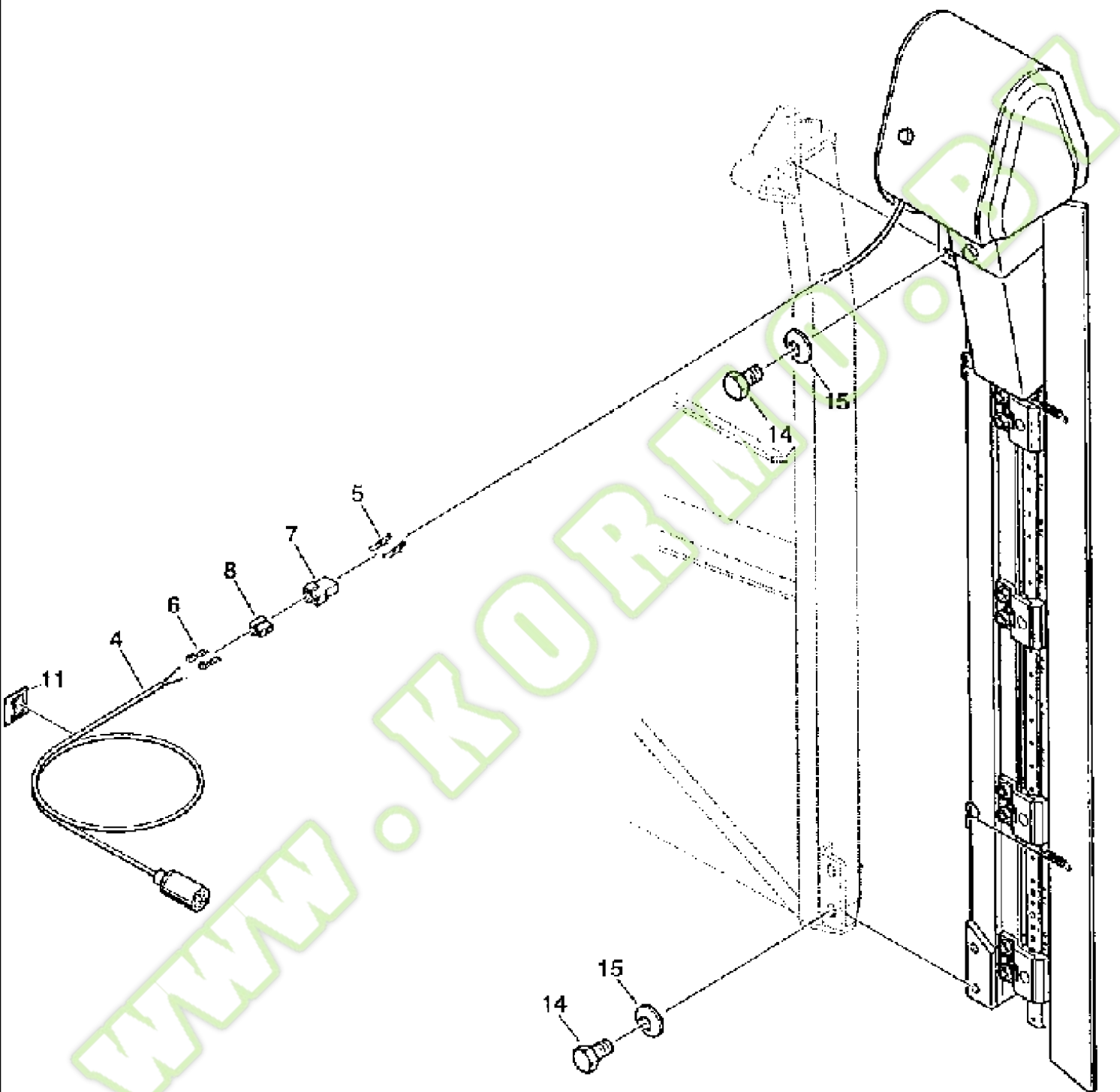
01-57 REAR WHEEL WITH BRAKE - HLS

Ref	Part Number	Qty	Description
1	061039377	3	WHEEL,
2	060515001	3	RIM, WHEEL disk
3	060502593	3	AIR TUBE, 185-14
4	060502585	3	TIRE, RUBBER, 185 R14C 8PR
5	060527511	1	SAFETY NUT, lock
6	060527528	1	CAP, hub
7	060527560	1	HUB, BRAKE, 140 x 5
8	060527544	1	SPACER, compact
9	9964917826	2	CIRCLIP, 72 x 2.5
10	060527552	5	SCREW, WHEEL, M14 x 1, 5 x 25
11	060527577	2	VANEUM GAUGE, PLUG pipe
12	060527585	1	SHOE, BRAKE,
13	060527593	1	SHOE, BRAKE,
14	060527608	1	SPRING, TENSION,
15	060527616	1	SPRING, TENSION,
16	060527624	1	SPRING, COMPRESSION,
17	060527632	1	LOCK, spreader



01-59 STALK DIVIDER - HLS

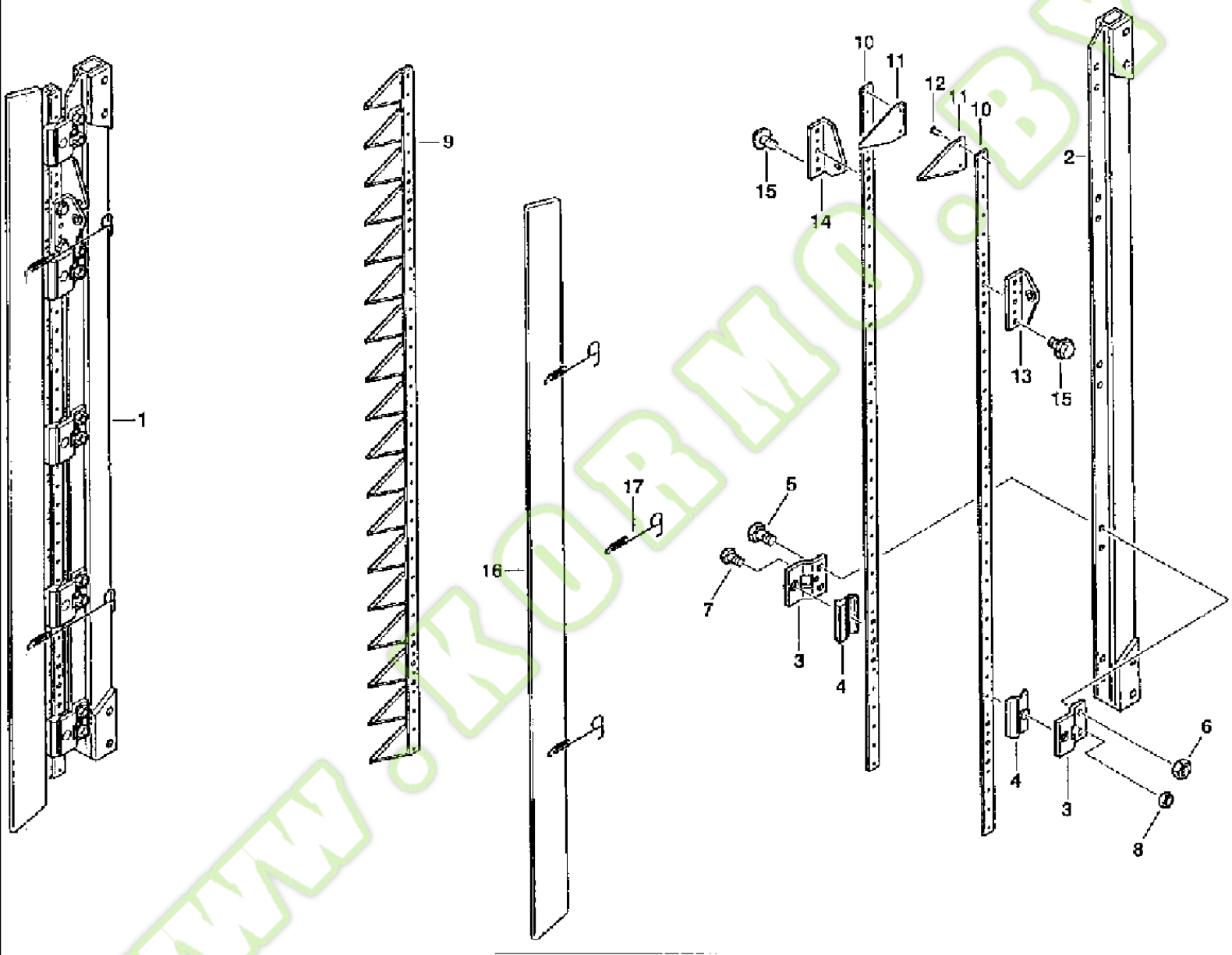
Ref	Part Number	Qty	Description
1	061064562	1	DIVIDER ASSY., STALK, f
2	061043968	1	DEFLECTOR, f
3	060194925	2	SEPARATOR, DIVIDER outer
4	061064361	4	PIN, LARGE, BOLT
5	061043943	2	BOW,
6	4223645462	2	RUNNER, SHOE sliding
7	061064618	2	DIVIDER, main
8	4223645776	2	HOOK,
9	061064546	1	RETAINER, MOUNT
10	061064320	2	BAR, ROD connecting
11	061064337	2	BAR, ROD connecting
12	061064513	2	FRAME,
13	061062737	2	BOW,
14	061064417	2	PIN, HITCH, PLUG
15	061064386	2	PIN, LARGE, BOLT
16	061043951	2	SUPPORT,
17	4223645446	2	POINT, HEAD divider
18	003792045	2	SPLIT PIN/SAFETY PIN, SPRING
19	9945635828	4	SCREW, flat-round-head, M 12 x 30 -8.8
21	060514121	16	HALF BUSH, BEARING journal, GFM-2528-21
22	060508582	4	HOOK, 24 x 3.1
23	9960922265	4	WASHER, 15
25	4240054440	2	RING, key, A-20
26	9954897654	4	NUT, hex, VM 12 -8
27	006213935	6	NUT, hex, M10 -8
28	006214140	10	NUT, hex, M12 -8
29	9933929057	2	SCREW, hex, M10 x 55 -8.8
30	9933931180	4	SCREW, hex, M10 x 35 -8.8
31	9933931863	2	SCREW, hex, M12 x 25 -8.8
32	9933932028	4	SCREW, hex, M12 x 35 -8.8
33	9933932567	4	SCREW, hex, M12 x 70 -8.8
34	006402361	4	PIN, SPLIT (COTTER), 4 x 25
35	9999853166	6	PLATE, LOCKING, WASHER, VSF B 10
36	9999853174	14	PLATE, LOCKING, WASHER, VSF B 12
37	061064570	1	DIVIDER ASSY., STALK, g
38	061043590	1	DEFLECTOR, g
39	061064634	1	RETAINER, MOUNT, g
41	061049602	1	PANEL, DEFLECTOR
42	061064587	2	STOP, end
43	006346537	4	BOLT, hex, M12 x 25
44	006214140	4	NUT, hex, M12 -8
45	006576084	4	WASHER, locking, VSF B 12



01-63 SEPARATOR

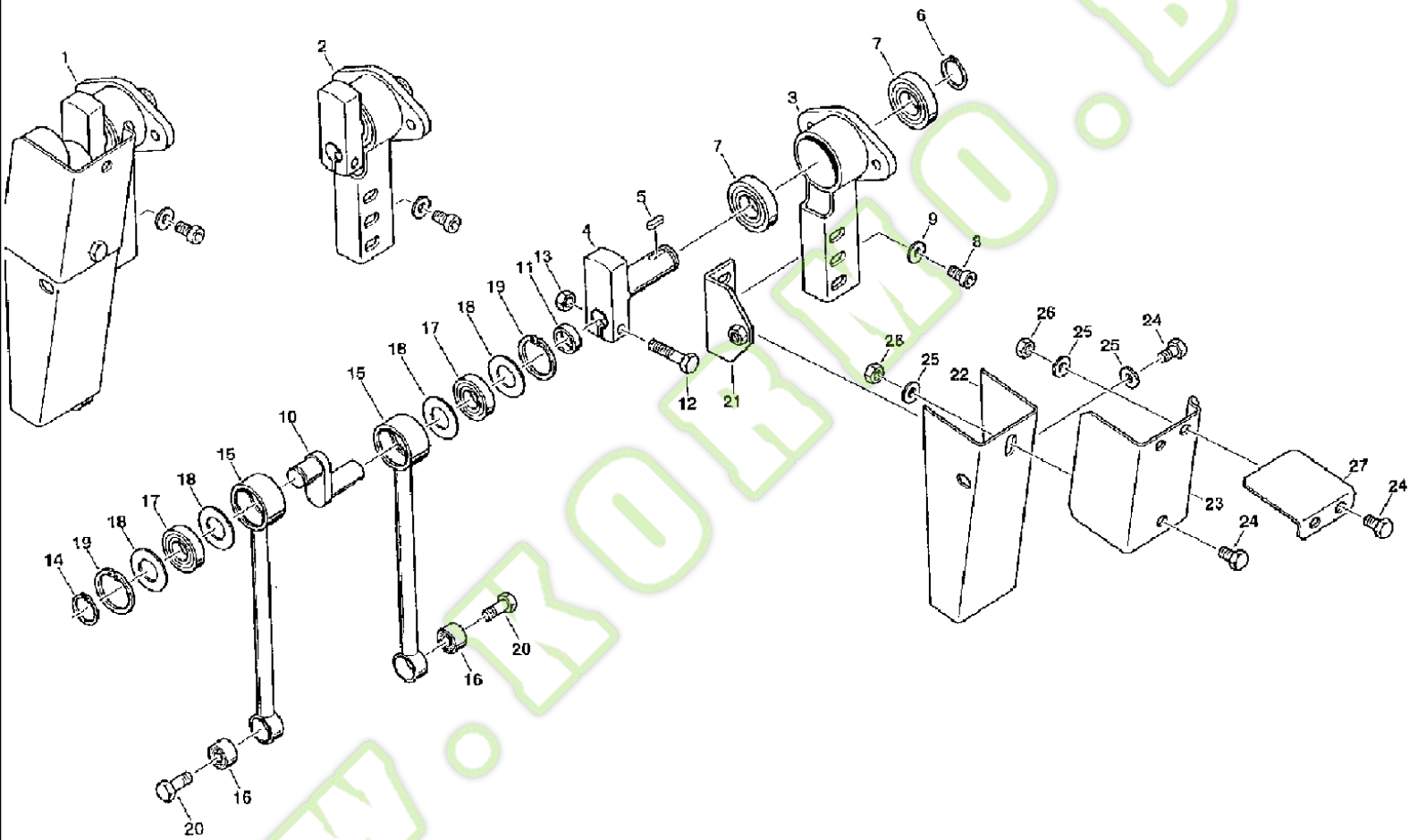
Ref	Part Number	Qty	Description
1	060511963	1	SEPARATOR, g
4	021208473	1	CABLE,
5	003792881	2	TERMINAL, SPADE, PLUG flat
6	060512722	2	TERMINAL, SPADE, flat pin bushing
7	003793288	1	CONNECTOR, PLUG flat, housing
8	060509003	1	BOX, TERMINAL, BRUSH flat pin brush, D
11	9019059944	15	CLIP, CABLE, ACC38-A-20
14	006346408	4	SCREW, hex, M12 x 20 -8.8
15	9999853174	4	PLATE, LOCKING, WASHER, VSF B 12

WWW.KORMO.BY



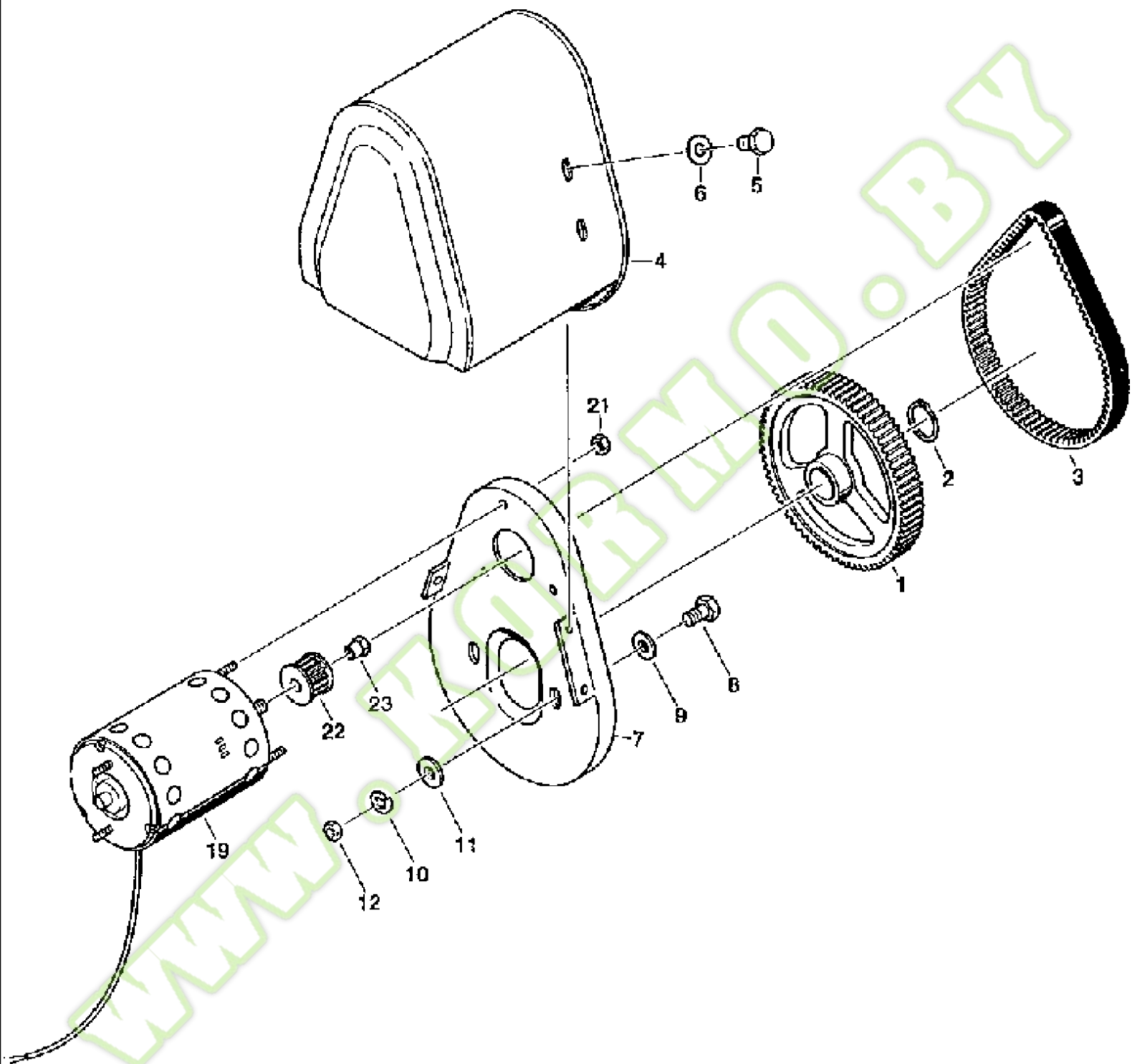
01-65 CUTTERBAR

Ref	Part Number	Qty	Description
1	03266187	1	KNIFE ASSY., CUTTERBAR
2	03266195	1	BAR,
3	03266201	10	GUIDE, HOLDER knife
4	03266218	10	PLATE, KNIFE GUIDE,
5	06335358	10	SCREW, hex, M 10 x 25
6	06257528	10	NUT, lock, M 10
7	03272956	5	SCREW, hex, M 8 x 20
8	03266105	5	NUT, lock, M 8
9	03266226	2	BLADE, KNIFE ASSEMBLY
10	03266234	2	BAR, BACK knife
11	03266242	36	KNIFE SECTION,
12	03266523	72	RIVET, countersunk, 6 x 15
13	03266250	1	HEAD, KNIFE, front
14	03266267	1	HEAD, KNIFE, rear
15	03266113	4	SCREW, locking
16	03266275	1	PROTECTOR, KNIFE
17	03266283	2	SPRING, COIL, tension



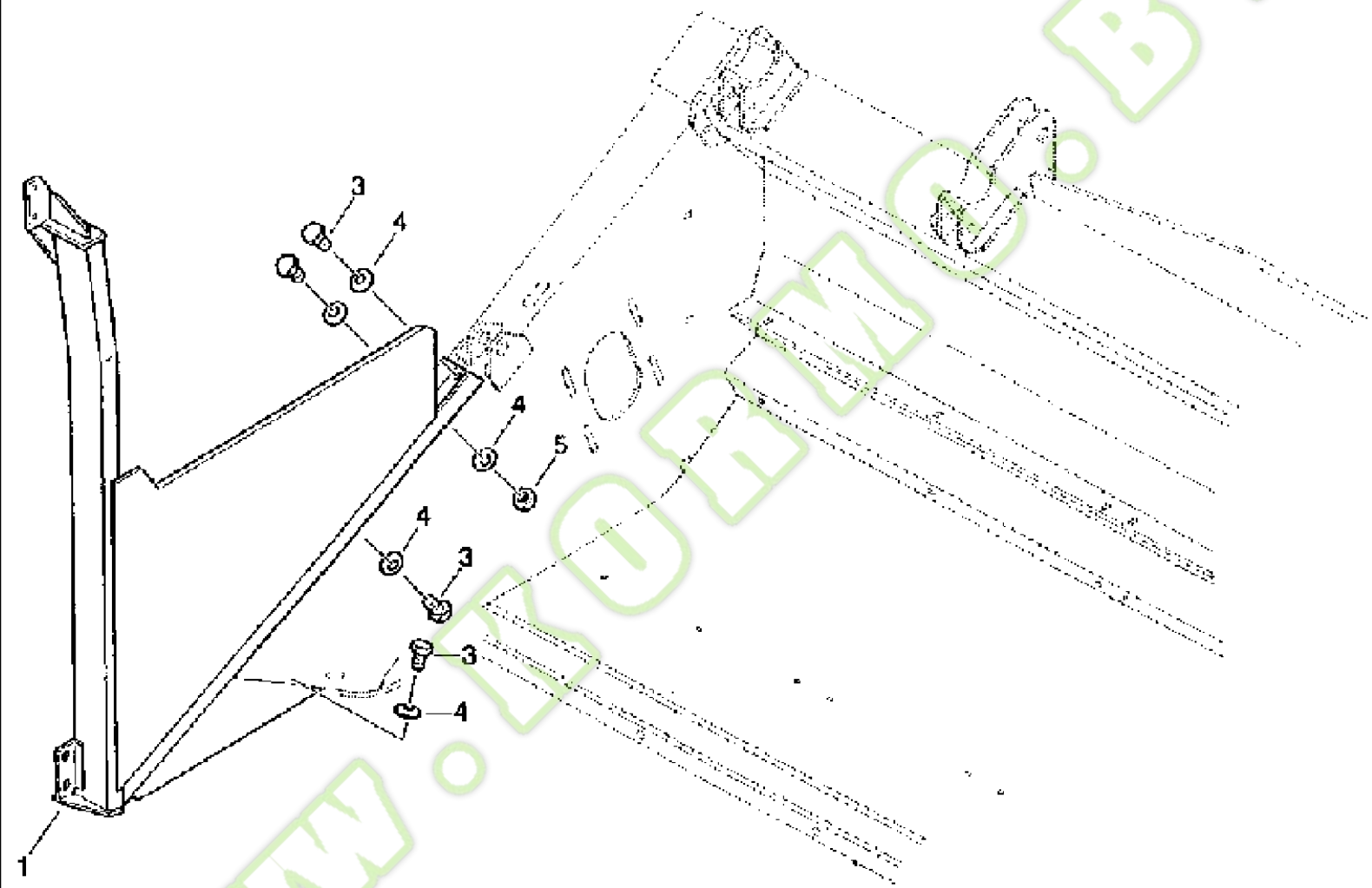
01-67 CRANK DRIVE WITH CRANK GUARD

Ref	Part Number	Qty	Description
1	03266291	1	MECHANISM, CRANK DRIVE ASSEMBLY
2	03266306	1	BEARING, BEARING ASSEMBLY
3	03266314	1	HOLDER, crank
4	03266322	1	SHAFT, drive
5	03266531	1	KEY, BUCKET TOOTHRT, 8 x 7 x 20
6	06450713	1	CIRCLIP, 30 x 1.5
7	03671808	2	BEARING, deep groove ball, 6206-2RS
8	234957N0	2	SCREW, M12 x 20
9	06556513	2	WASHER, 13
10	03266347	1	CRANKSHAFT,
11	03266355	1	BACK-UP RING, distance
12	06347031	1	SCREW, hex, M12 x 55
13	06257503	1	SAFETY NUT, hex, VM 12 -8
14	06450617	1	CIRCLIP, 25 x 1.2
15	03266371	2	ROD, CONNECTING,
16	03266121	2	BUSHING, rubber metal
17	03266541	2	BEARING, self-aligning, 2205-2RS
18	03266138	4	BACK-UP RING, supporting
19	06452965	2	CIRCLIP, 52 x 2
20	03266146	3	SCREW, hex, M12 x 32
21	03266396	1	PROTECTOR, crank holder
22	03266402	1	PROTECTOR, crank
23	03266410	1	PROTECTOR,
24	06346424	2	SCREW, hex, M12 x 20
25	06556513	2	WASHER,
26	06216271	2	NUT, hex, M12
27	03266427	1	PROTECTOR,



01-69 ELECTRIC MOTOR GUARD

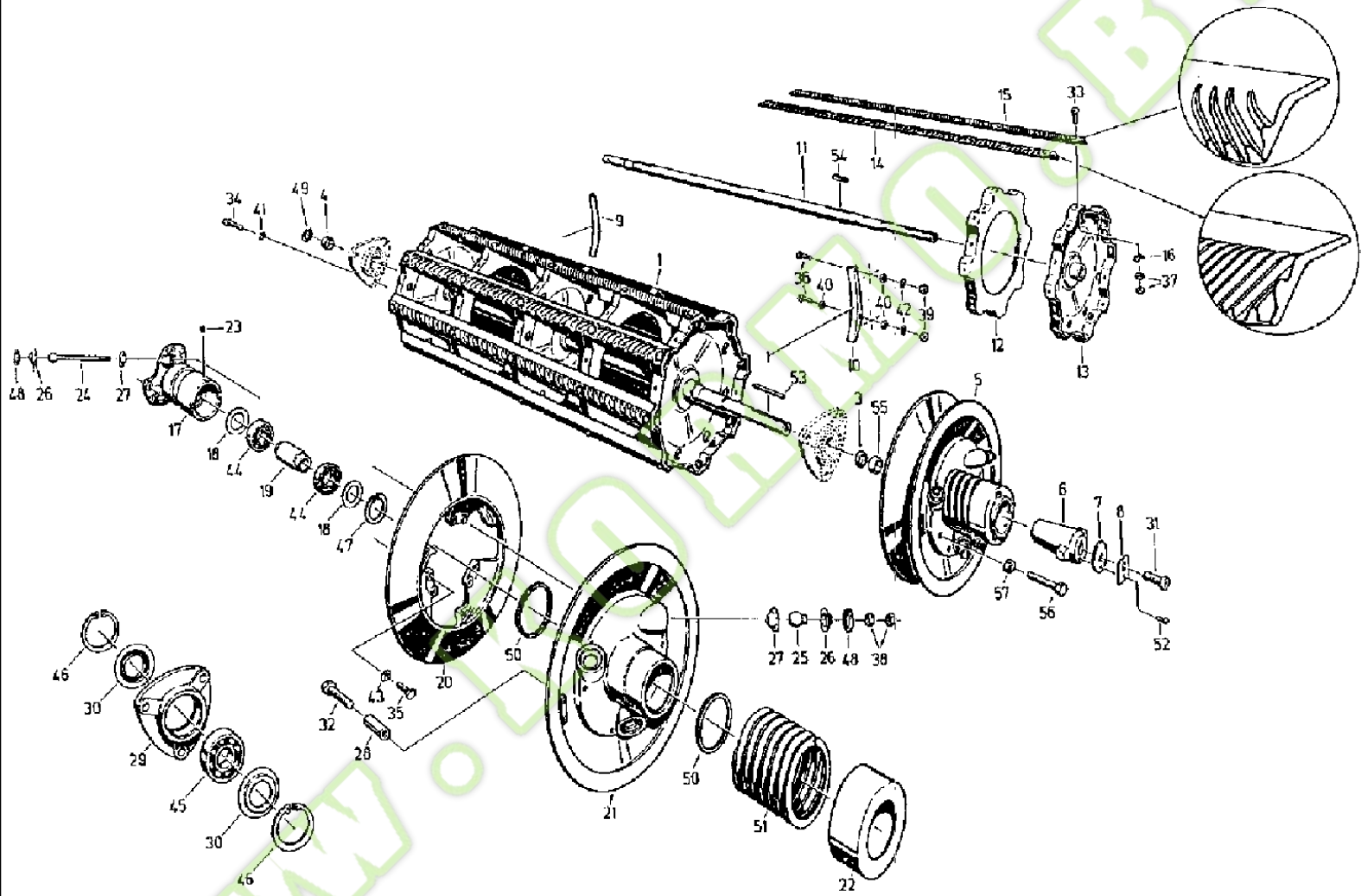
Ref	Part Number	Qty	Description
1	03266443	1	DISC, NOTCHED, GEAR toothed, 114
2	06450713	1	CIRCLIP, 30 x 1.6
3	03266451	1	BELT, toothed, 127
4	03266476	1	PROTECTOR, crank-and v-belt
5	03266154	3	SCREW, hex, M10 x 10
6	03252181	5	WASHER, 11
7	03266484	1	COVER, PLATE flange
8	06335358	2	SCREW, hex, M10 x 25
10	06154901	2	WASHER, RING spring, B10
11	06556513	2	WASHER, 13
12	06213910	2	NUT, hex, M10
19	03266492	1	MOTOR, ELECTRIC, GPA 24 V
21	03266170	3	NUT, hex, M 6
22	03266507	1	DISC, NOTCHED, GEAR toothed, 18
23	03266515	1	NUT, special



01-71 INTAKE

Ref	Part Number	Qty	Description
1	31282271	1	SUPPORT, intake, g
3	06346713	4	SCREW, hex, M12 x 30 -8.8
4	06577060	5	WASHER, locking, VSF B 12
5	06214278	1	NUT, hex, M 12 -8

WWW.KORMO.BY



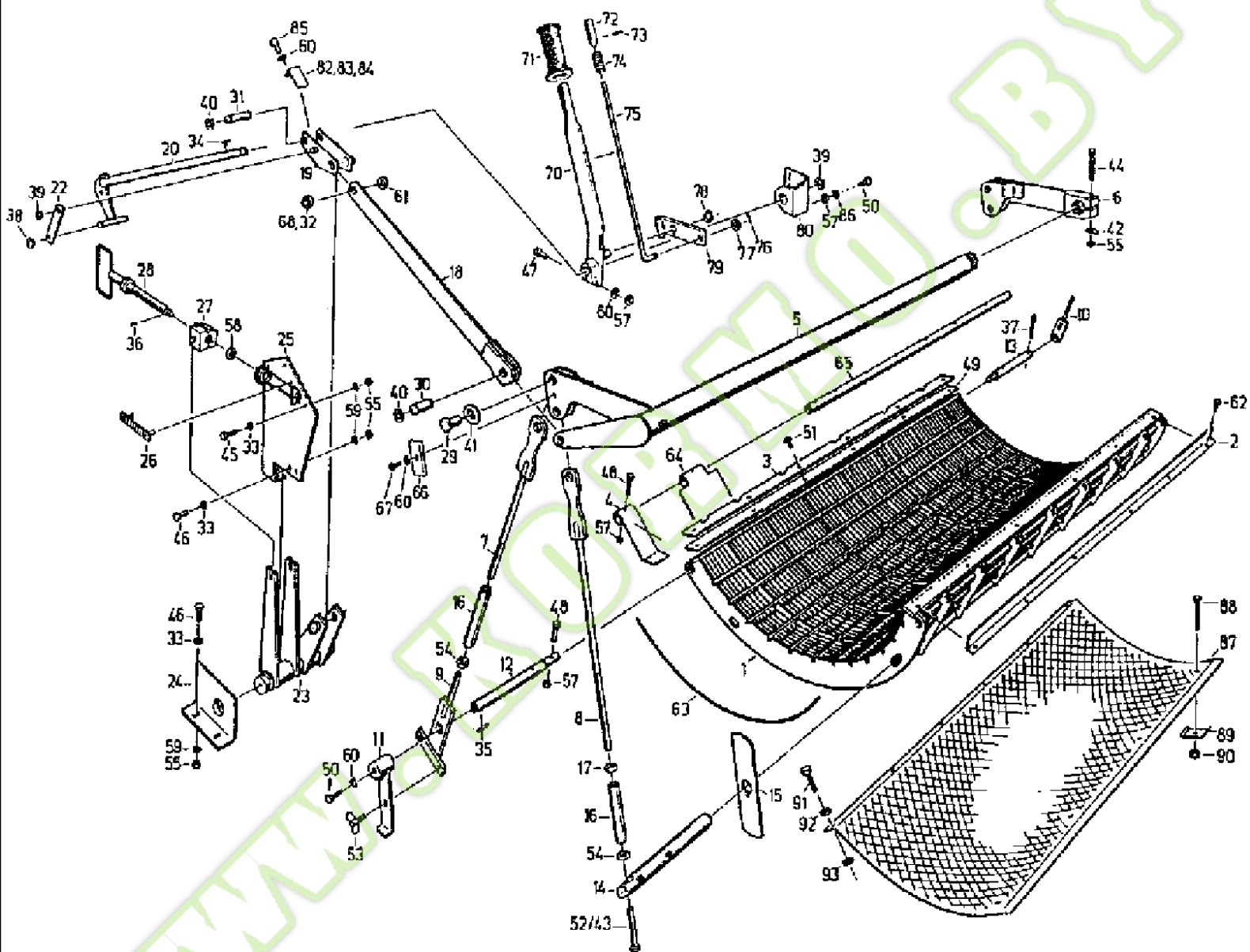
02-03 CYLINDER

Ref	Part Number	Qty	Description
1	4260690575	1	DRUM, cylinder
3	4260690567	1	SPACER,
4	4221610261	1	SPACER,
5	4260690518	1	PULLEY, cylinder vari-drive
6	4221617887	1	DRIVE DOG,
7	4221617895	1	WASHER,
8	4221617901	1	PLATE, LOCKING,
9	4221617926	1	SLAT, STRIP cover
10	4221617934	1	SLAT, STRIP cover
11	4260702894	1	SHAFT,
12	4221617983	2	FLANGE, HUB cylinder
13	4221617967	3	PLATE, DRIVEN, HUB cylinder
14	4221618293	4	BAR, RIBBED, BAR cylinder, f
15	4221618285	4	BAR, RIBBED, BAR cylinder, g
16	4221618092	16	BLOCK,
17	4260703034	1	HUB,
18	4221615194	4	SEAL WASHER,
19	4221618197	1	BUSHING,
20	4260690526	1	DISC, PULLEY half vari-drive
21	4260690534	1	HALF-ROLLER, PULLEY half vari-drive
22	4260690542	1	SLEEVE, spring
23	4260690550	3	STUD,
24	061031796	3	BALL, with tie rod
25	4240025524	3	BALL, with socket
26	4240029786	6	CUP, BALL, seat
27	4240029794	6	CUP, BALL, seat
28	4240029800	3	BUSHING,
29	4221610060	2	HOUSING, BEARING,
30	4221610077	4	COVER,
31	4221617918	1	SCREW, hex
32	9933933672	3	SCREW, hex, M12 x 80 -8.8
33	006347281	40	SCREW, hex, M12 x 50 -10.9
34	9933932028	6	SCREW, hex, M12 x 35 -8.8
35	9933931123	6	SCREW, hex, M10 x 30 -8.8
36	9933930001	4	SCREW, hex, M8 x 20 -8.8
37	9950896310	85	NUT, hex, M12 -10
38	006213935	6	NUT, hex, M10 -8
39	006213830	4	NUT, hex, M8 -8
40	4260689114	4	WASHER,
41	006501557	6	WASHER, SPRING, B12
42	9961920061	4	WASHER, SPRING, B8
43	9961963891	6	DISC, NOTCHED, J 10
44	9902890128	2	BEARING, ball, 6010
45	9902890956	2	BEARING, ball, 6309 -2 RS
46	9964917867	4	NUT, RING snap, 100 x 3

02-03 CYLINDER

Ref	Part Number	Qty	Description
47	006453267	1	CIRCLIP, 80 x 2.5
48	9964917537	6	CIRCLIP, 48 x 1.6
49	9964917280	1	CIRCLIP, 45 x 1.6
50	9907914454	2	O-RING, 110 x 3
51	9973882983	1	SPRING, COMPRESSION, C 12 x 160 x 7.5
52	9967884251	1	PIN , HEAD LESS, grooved, 6 x 16
53	9965956710	1	KEY, BUCKET TOOTHRT, FITTING, A 12 x 8 x 100
54	9965955486	3	KEY, BUCKET TOOTHRT, gib-head, 14 x 9 x 70
55	4260702820	1	SPACER,
56	9933958125	1	SCREW, hex, M16 x 80 -8.8
57	9950896841	1	NUT, hex, M16 -8

WWW.KORMO.BY



02-07 CONCAVE WITH ADJUSTMENT

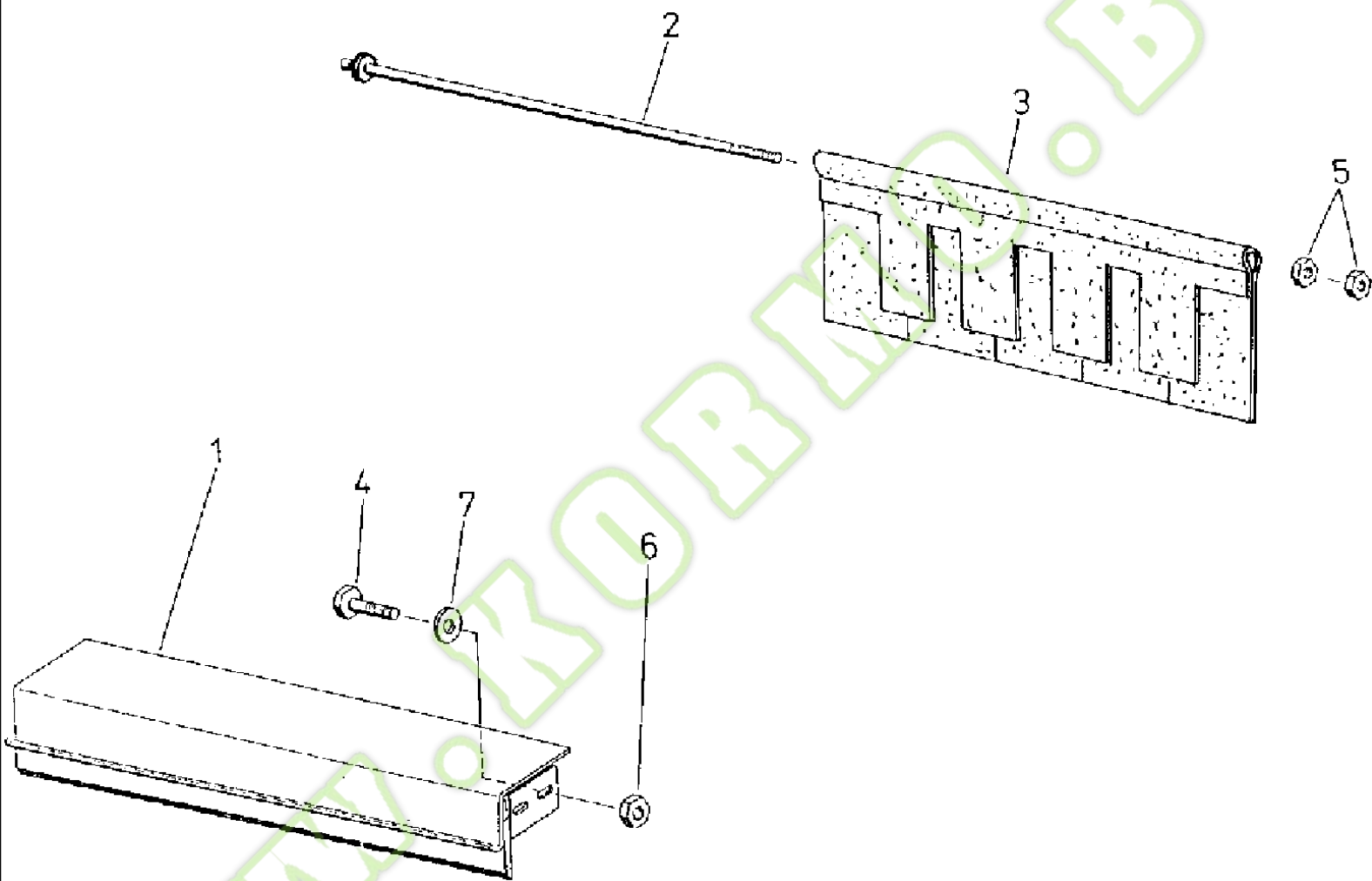
Ref	Part Number	Qty	Description
1	4221650613	1	CONCAVE, 7.5 mm
1	4228640131	1	CONCAVE, 9.7 mm
2	060140592	1	RAIL,
3	4260691592	1	RAIL,
4	4221619132	2	FLAP,
5	4260691777	1	SHAFT, adjusting
6	4260691697	1	LEVER,
7	4260691703	3	ROD, draw
8	4260691728	1	ROD, draw
9	061019051	1	ROD, draw
10	4260691711	1	ROD, draw
11	061019068	1	LEVER,
12	4260691664	1	SHAFT, CROSS, JOURNAL
13	4260691656	1	SHAFT, CROSS, JOURNAL
14	060010501	2	PIN, LARGE, BOLT
15	4260691672	4	COVER, PROTECTIVE,
16	4260691568	4	MOUNTING CLIP, PIECE tensioning
17	9950894060	1	NUT, hex, f, M 16 -04
18	4260691752	1	BRAKE, ROD connecting
19	4260691785	1	LEVER,
20	4260691793	1	SHAFT,
22	060150834	2	BRAKE, ROD connecting
23	4260691760	1	LEVERSHAFT,
24	4260691648	1	BEARING, SHIELD end
25	4260691816	1	PARTITION, retaining
26	4260691615	1	DIAL, scale
27	4260707384	1	NUT, adjusting
28	4260691824	1	SPINDLE,
29	9949865468	4	PIN, LARGE, BOLT, A 20 h11 x 30
30	4260691584	1	PIN, LARGE, BOLT
31	4260691631	1	PIN, LARGE, BOLT
32	4260691623	1	SPACER,
33	4221620616	7	WASHER,
34	9965956085	1	KEY, BUCKET TOOTHRT, FITTING, A 8 x 7 x 25
35	9965956060	1	KEY, BUCKET TOOTHRT, FITTING, A 8 x 7 x 20
36	9967942615	1	PIN, plain, grooved, 4 x 25
37	9963950616	1	SPLIT PIN/SAFETY PIN, 6.3 x 40
38	9964923488	4	WASHER, LOCK, 9
39	9964923496	3	WASHER, LOCK, 19
40	9964964447	4	WASHER, LOCK, 15
41	9960922876	2	WASHER, 26
42	9962923578	1	PLATE, LOCKING, 10.5
43	060155115	1	SCREW, hex, M16 x 120 -8.8
44	9933977851	1	SCREW, hex, M10 x 75 -8.8
45	006344037	3	SCREW, hex, M10 x 25 -8.8

02-07 CONCAVE WITH ADJUSTMENT

Ref	Part Number	Qty	Description
46	006343880	4	SCREW, hex, M10 x 22 -8.8
47	006334131	1	SCREW, hex, M8 x 45 -8.8
48	9933930331	10	SCREW, hex, M8 x 40 -8.8
49	060171943	1	BLOCK, underlay
50	9933930001	3	SCREW, hex, M8 x 20 -8.8
51	9999951076	6	SCREW, M10 x 20-100 W 158.12
52	9933932784	1	SCREW, hex, M16 x 90 -8.8
53	9944926806	1	THUMB SCREW, wing, M8 x 20
54	9950896841	5	NUT, hex, M16 -8
55	006213935	8	NUT, hex, M10 -8
57	006213830	13	NUT, hex, M8 -8
58	9960922353	1	WASHER, A 17
59	9961920004	13	WASHER, SPRING, B 10
60	9961920061	5	WASHER, SPRING, B 8
61	4260702812	1	SPACER, sleeve
62	003783688	6	SCREW, Verbus, M10 x 16-100 W 158.12
63	4221650621	102	WIRE, concave, b
63	4221650621	66	WIRE, concave
64	4221619358	6	FLAP,
65	4221619366	1	PIPE,
66	4260711155	2	CAP,
67	006340781	2	SCREW, hex, M8 x 16 -8.8
68	9905965045	AR	WASHER, n.B., 22 x 32 x 3
69	4260689114	5	WASHER,
70	060008025	1	LEVER, ASSY AND KNOB,
71	060008041	1	HANDLE,
72	4250120691	1	SPRING, HANDLE
73	9967942873	1	PIN, grooved, 3 x 12
74	9973879514	1	SPRING, COMPRESSION, C1, 4 x 15 x 17.5
75	4260691238	1	BAR, tige
76	9963949297	1	PIN, SPLIT (COTTER), 1.6 x 12
77	006510927	1	WASHER, A 6.4
78	9964917457	1	CIRCLIP, 12 x 1
79	060007957	1	LEVER,
80	060197784	1	BEARING,
82	060007981	1	ANGLE BAR,
83	060007998	1	ANGLE BAR,
84	060008000	1	ANGLE BAR,
85	060150073	1	SCREW, cheese-head, M8 x 16 -8.8
86	9999853158	14	PLATE, LOCKING, WASHER, VSF B8
87	021365227	1	SHEET, RASPER clover
88	9945926356	4	SCREW, round-head, M10 x 60 -8.8
89	4221651011	4	SHIN, strap
90	006269000	4	NUT, hex, M10 -8
91	9933929065	6	SCREW, hex, M10 x 20 -8.8

Ref	Part Number	Qty	Description
92	9999853094	6	PLATE, LOCKING, WASHER, VSF M10
93	4250132814	6	WASHER,

WWW.KORMO.BY



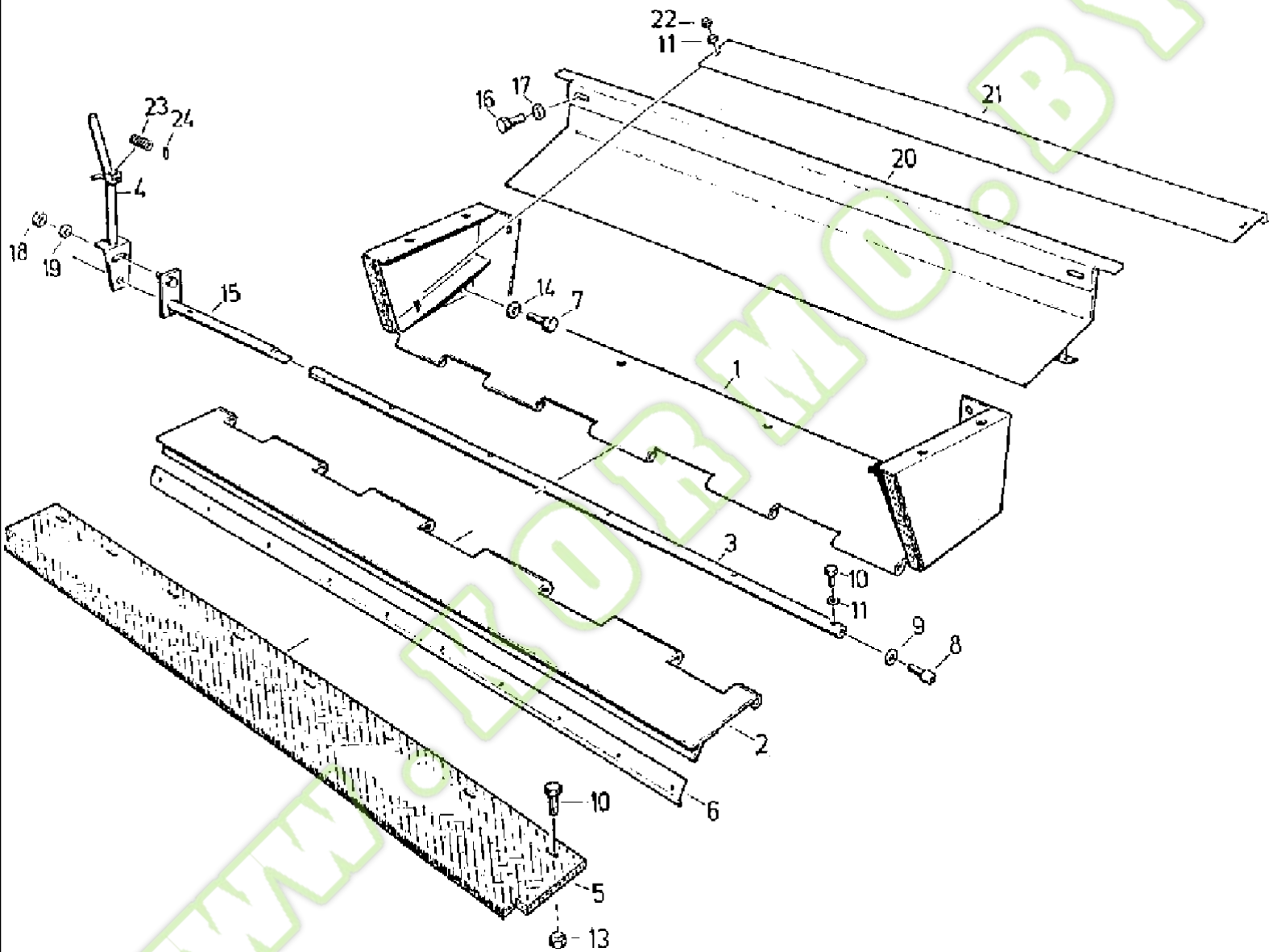
02-13 DEFLECTOR, PROFILE SHEET

Ref	Part Number	Qty	Description
1	4260702804	1	SHEET, partition
2	060182657	1	STEM, BOLT through
3	060141624	1	COVER, SKIRT, FLAP check
4	9933932028	4	SCREW, hex, M 12 x 35 -8.8
5	006213935	2	NUT, hex, M 10-8
6	006214140	4	NUT, hex, M 12-8
7	4250132814	4	WASHER,

WWW.KORMO.BY

02-15 SEPARATOR

Ref	Part Number	Qty	Description
1	060140430	1	SEPARATOR,
3	060171783	1	LEVER, excentric, f
4	060171806	1	LEVER, adjusting
6	061002123	2	LEVER, excentric,g
7	060140736	1	JUNCTION BOX, BLOCK screw
8	060140752	4	ROLLER, SHIFTER,
9	060140760	4	PIN, LARGE, BOLT
10	060140777	4	PANEL, PLATE cover
11	060141593	2	SHAFT,
12	060140711	1	BRAKE, conrod
13	060167432	1	RAIL,
14	060167416	1	RUBBER, seal
15	060167424	1	HOLDER, angle
16	060505635	1	GRIP, HANDLE
17	003784422	4	SPLIT PIN/SAFETY PIN, 6 x 36
18	9910883602	1	HANDLE, taper, N 100
21	003794537	11	NUT, hex, VM 8 -8
22	9960921633	4	WASHER, A8.4
23	9964924175	1	WASHER, B13
24	9960922353	2	WASHER, A17
25	006402361	6	PIN, SPLIT (COTTER), 4 x 25
26	003784430	8	WASHER, B17
27	003783688	6	SCREW, Verbus, M10 x 16 W 158.12
28	9945926268	7	SCREW, round-head, M8 x 25 -8.8



02-17 STONE TRAP

Ref	Part Number	Qty	Description
1	060171822	1	TROUGH,
2	060171896	1	FLAP,
3	060168048	1	ROTATOR, axle
4	060141794	1	LEVER, adjusting
5	060179717	1	GASKET,
6	060171935	1	RAIL,
7	9933931863	2	SCREW, hex, M12 x 25 -8.8
8	006282168	1	SCREW, cheese-head, M10 x 30 -10.9
9	9999853205	1	SNAP RING, locking, VSK 10
10	9933930001	14	SCREW, hex, M8 x 20 -8.8
11	9999853117	16	PLATE, LOCKING, WASHER, VSF M 8
12	006338385	1	SCREW, hex, M6 x 16 -8.8
13	003792053	8	NUT, hex, VM 8 -8
14	9999853125	2	PLATE, LOCKING, WASHER, VSF M 12
15	060168417	1	DRIVE DOG,
16	006344037	2	SCREW, hex, M10 x 25 -8.8
17	9999853094	2	PLATE, LOCKING, WASHER, VSF M 10
18	006214140	1	NUT, hex, M 12 -8
19	9999853174	1	PLATE, LOCKING, WASHER, VSF B 12
20	060171847	1	COVER, REAR, WALL
21	060179428	1	SHEET, adjusting, iron
22	006213830	2	NUT, hex, M8 -8
23	060150625	1	SPRING, COMPRESSION, C 1, 2 x 16 x 7.5
24	9967942447	1	PIN, grooved plain, 4 x 20

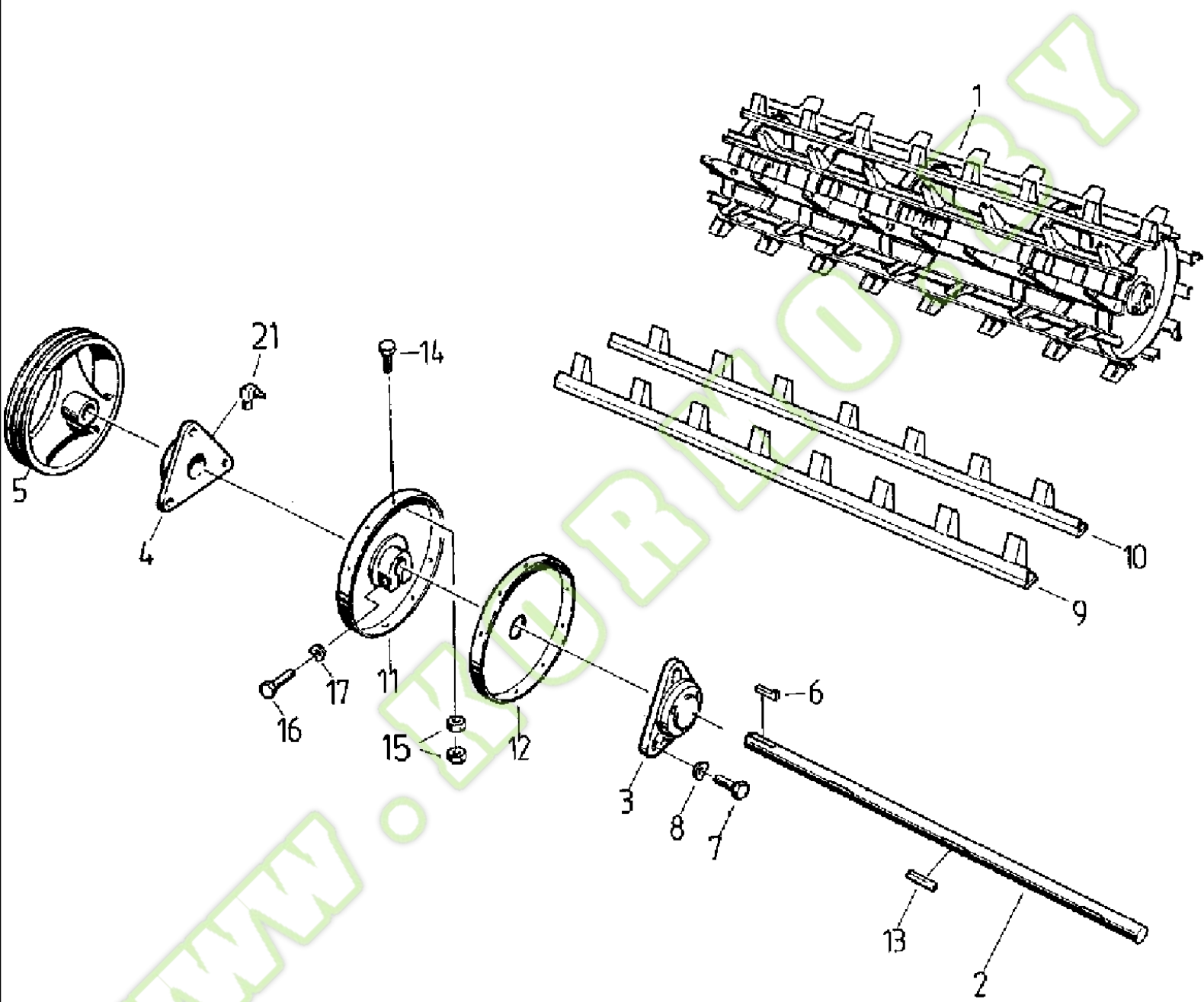
02-19 SHAKER

Ref	Part Number	Qty	Description
1	060140391	5	STRAW WALKER, SECTION shaker
2	060212246	5	SIEVE, GRAIN, LINING shaker
3	060071345	15	LINING, SHAKER
4	060140342	5	LINING, SHAKER
5	061031152	15	CONVEYOR, BAR
6	4221620698	5	COVER,
7	4221620753	5	COVER,
8	060150770	45	PLATE, LOCKING, WASHER, VSF B 6
9	060180358	10	BLOCK, underlay
11	4221620833	20	BEARING, element
12	4221620841	10	BEARING, HOUSING
13	060071474	1	GROOVED PULLEY, V-BELT
14	060071521	1	SLEWING RING, WHEEL toothed
15	4221620593	10	BLOCK,
16	4221620737	6	BLOCK,
17	4221620745	2	BEARING,
18	4221620608	2	COVER, protective
20	4221620866	10	WASHER,
21	060508092	10	PIN, ROLL, SLEEVE adapter, 525
22	4221620970	10	WASHER,
23	4221620987	10	RING,
24	9902888287	2	CARRIER, BEARING, flange, FGE 206
25	9967884202	6	PIN , HEAD LESS, grooved, 2.5 x 8
26	9920925548	1	NIPPLE, LUBE, CM 8 x 1
27	003617056	3	NIPPLE, LUBE, AM 8 x 1
28	0030670468	5	BUMPER, BUTTON
29	9961920004	16	WASHER, SPRING, B10
30	006213935	56	NUT, hex, M10 -8
31	9933931123	4	SCREW, hex, M10 x 30 -8.8
32	9965955211	1	KEY, gib-head, 8 x 7 x 50
33	006344037	16	SCREW, hex, M10 x 25 -8.8
34	060152723	1	WASHER, SPECIAL,
35	006213830	60	NUT, hex, M 8 -8
36	9999850813	30	SCREW, Verbus, M8 x 16 100 W 158
37	9999851068	20	NUT, Verbus, M8-10W 193
38	9933929200	15	SCREW, hex, M6 x 12 -8.8
39	9961919927	10	WASHER, SPRING, B6
40	060140295	3	BLOCK,
42	060502415	10	BEARING, ball, 6209-2RS-1K/SO
43	9932930373	24	SCREW, hex, M8 x 45 -8.8
44	4240023065	2	VANEUM GAUGE, PLUG pipe
45	006338713	44	SCREW, hex, M6 x 25 -8.8
46	060071240	1	CRANKSHAFT,
47	060071257	1	CRANKSHAFT,
48	9999853166	40	PLATE, LOCKING, WASHER, VSF B 10

02-19 SHAKER

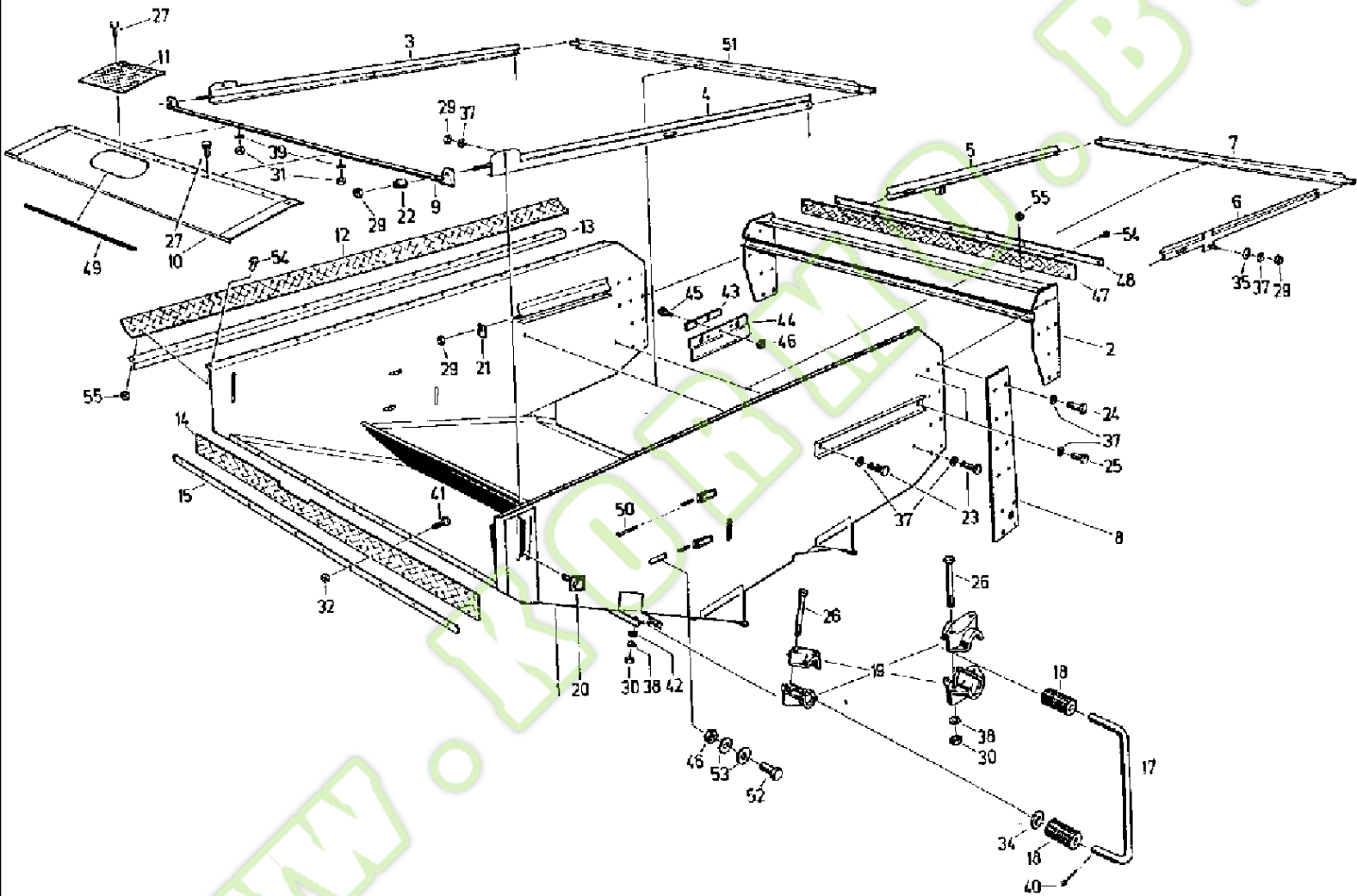
Ref	Part Number	Qty	Description
49	9961924957	6	DISC, NOTCHED, toothed, A 6.4
50	9933929715	24	SCREW, hex, M8 x 18 -8.8
52	4254127678	8	PRONG,
53	060202293	16	CLAMP,
54	9907907808	8	RING, 12 x 40 x 30
55	4254127700	8	CLAMP, bearing
59	061065965	5	CONVEYOR, BAR
60	006338385	2	SCREW, hex, M6 x 16 -8.8
61	006576068	24	DISC, locking, VSF B 8

WWW.KORMO.BY



02-23 SEPARATOR DRUM

Ref	Part Number	Qty	Description
1	060140246	1	DRUM, separator
2	060140510	1	SHAFT,
3	003784904	1	CARRIER, BEARING, FLANGE
4	003784912	1	CARRIER, BEARING, FLANGE
5	060140535	1	GROOVED PULLEY, V-BELT
6	003784898	1	KEY, gib-head, 14 x 9 x 90
7	9933932028	6	SCREW, hex, M12 x 35-8.8
8	9999853125	6	PLATE, LOCKING, WASHER, VSF M 12
9	060140254	5	BAR, RIBBED, slat
10	060140270	5	BAR, RIBBED, slat
11	060140287	3	WALL, ke
12	060134914	2	WALL,
13	003784004	3	KEY, BUCKET TOOTHRT, FITTING, A14 x 9 x 70
14	006337230	47	SCREW, hex, M10 x 35 -10.9
14	006344318	3	SCREW, hex, M10 x 30 -10.9
15	9950896247	100	NUT, hex, M10 -10
16	9932932375	3	SCREW, hex, M12 x 70 -8.8
17	006501557	3	WASHER, SPRING, B12
21	060150801	2	NIPPLE, LUBE, CM10 x 1



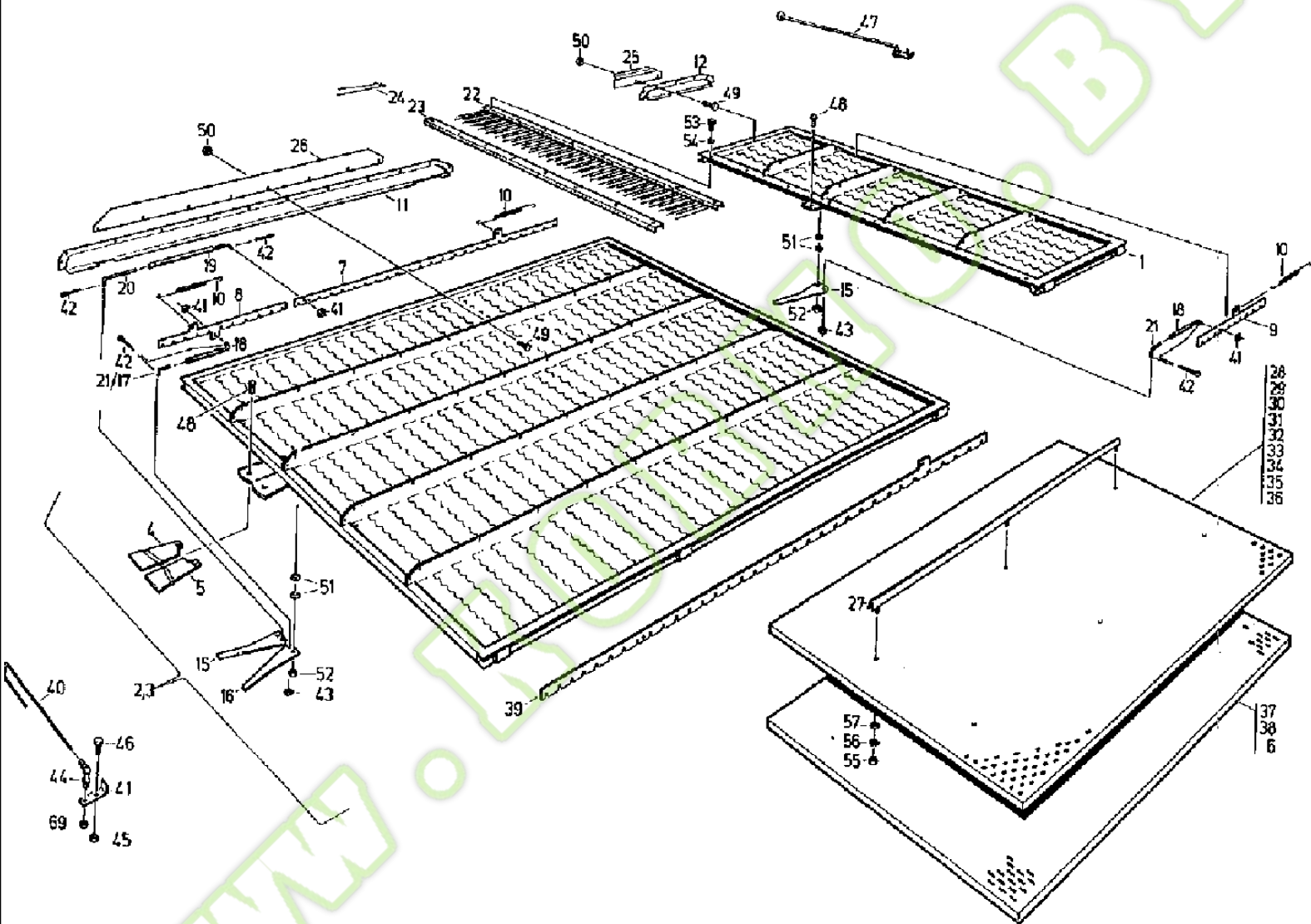
03-03 CLEANING

Ref	Part Number	Qty	Description
1	4260694257	1	CASE ASSY.,
2	4260694265	1	CONNECTION, cross
3	4260694273	1	GUIDE,
4	4260694281	1	GUIDE,
5	4260694298	1	GUIDE,
6	4260694304	1	GUIDE,
7	4260694312	1	LANDSIDE, PROFILE bearing
8	4260694337	2	SIDE WALL, string
9	4260694193	1	CROSSMEMBER, tie
10	060168675	1	DEFLECTOR, PLATE outlet
11	060168667	1	COVER, PROTECTIVE,
12	4260694361	2	GASKET,
13	4260694378	2	RAIL,
14	060168642	1	GASKET,
15	4260694353	1	RAIL,
17	4221621377	2	SUSPENSION BLOCK,
18	4221621408	4	MOUNTING, RUBBER, BEARING
19	4221621424	8	BEARING, ELEMENT
20	4260694320	2	DRIVE DOG,
21	4260694232	2	PLATE,
22	4260694386	2	SLEEVE,
23	9933929065	4	SCREW, hex, M10 x 20 -8.8
24	9933960345	16	SCREW, hex, M10 x 18 -8.8
25	9933930821	4	SCREW, hex, M10 x 14 -8.8
26	9932930558	8	SCREW, hex, M8 x 80 -8.8
27	060155123	11	SCREW, hex, M6 x 20 -8.8
29	9950897818	6	NUT, hex, VM 10 -8
30	006213830	8	NUT, hex, M8 -8
31	006213734	11	NUT, hex, M6 -8
32	006267111	11	NUT, hex, M6 -8
34	9960922546	2	WASHER, 22
35	9964962486	2	WASHER, B10.5
37	9961924491	28	DISC, NOTCHED, toothed, A10.5
38	006506264	8	DISC, NOTCHED, toothed, A8.2
39	9961919927	11	WASHER, SPRING, B6
40	9963950274	2	PIN, SPLIT (COTTER), 5 x 32
41	9933929651	11	SCREW, hex, M6 x 14 -8.8
42	4260689114	26	WASHER,
43	4260712654	2	BLOCK,
44	4260712646	2	GUIDE,
45	9945926163	4	SCREW, round-head, M8 x 20 -8.8
46	006267080	6	NUT, hex, M8 -8
47	060047546	1	JOINT, RUBBER, STRIP sealing
48	060047538	1	RAIL,
49	060183127	1	STRIP, PROTECTION,

03-03 CLEANING

Ref	Part Number	Qty	Description
50	4221675420	4	DRAW HOOK, tow
51	060197093	1	LANDSIDE, PROFILE bearing
52	006340781	2	SCREW, hex, M8 x 16 -8.8
53	006576068	4	DISC, locking, VSF B 8
54	006336736	35	SCREW, hex, M4 x 16 -8.8
55	9950897875	35	NUT, hex, M4 -8

WWW.KORMO.BY



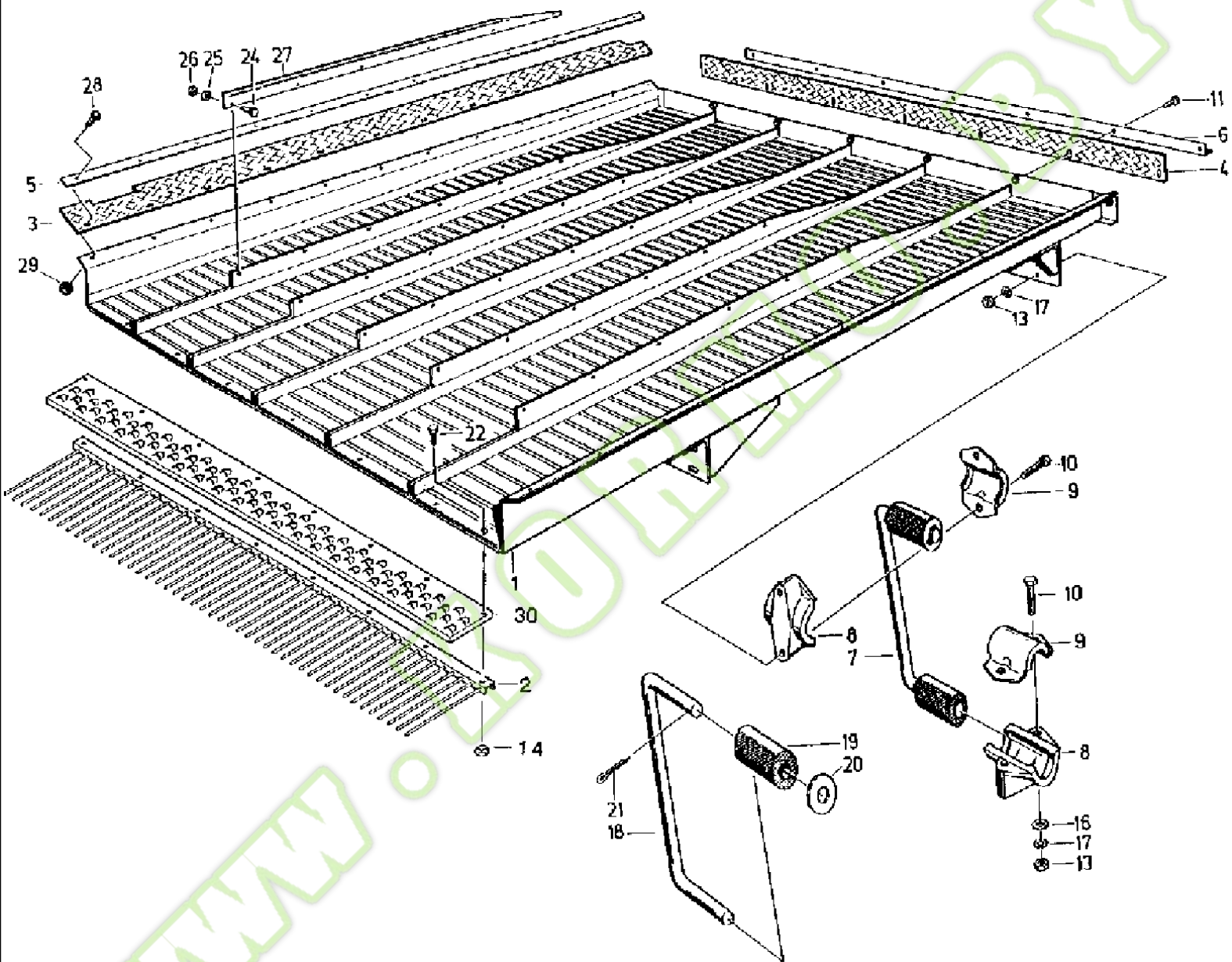
03-07 CLEANING SIEVES

Ref	Part Number	Qty	Description
1	4260701161	1	SIEVE, SECTION cascade, ke
2	4260714760	1	SIEVE, GRAIN, flap, L
3	060047136	1	SIEVE, FLAP lower
4	4247058622	2	SEGMENT,
5	4247058630	1	SEGMENT,
6	4260707038	1	GRILLE ASSY, SIEVE double nose
7	4260693721	1	SPOOL, VALVE directional control
8	4247055347	1	SPOOL, VALVE directional control
9	4247055476	1	SPOOL, VALVE directional control
10	4247055314	3	SPRING, TENSION,
11	4260693738	1	COVER, PROTECTIVE,
12	4260693795	1	COVER, PROTECTIVE,
15	4247058606	2	LEVER, regulating
16	4247058614	1	LEVER, regulating
17	4247057156	1	BAR,
18	4247057164	2	BAR, control
19	4247055242	1	BAR, control
20	4247055250	1	BAR,
21	4247057197	2	BAR,
22	4260693787	1	RAKE,
23	4260701178	1	HOIST, HOLDER tine
24	4221621432	58	PRONG,
25	4260701120	4	CATWALK, WEB guide
26	4260701137	4	CATWALK, WEB guide
27	4247055564	5	CATWALK, WEB guide
28	4260693883	1	DISC, SIEVE round-hole, Ш 4.5 mm
29	4260693891	1	DISC, SIEVE round-hole, Ш 6,3 mm
30	4260693906	1	DISC, SIEVE round-hole, Ш 9 mm
31	4260693922	1	DISC, SIEVE round-hole, Ш 1.5 mm
32	4260693930	1	DISC, SIEVE round-hole, Ш 2.5 mm
33	4260693947	1	DISC, SIEVE round-hole, Ш 3 mm
34	4260693955	1	DISC, SIEVE round-hole, Ш 16 mm
35	4260693963	1	SIEVE, SIEVE round-hole, Ш 20 mm
36	4260693988	1	DISC, SIEVE round-hole, Ш 12.5 mm
37	4260693914	1	SIEVE, SIEVE round-hole, Ш 6 x 20
38	4260693971	1	DISC, SIEVE round-hole, Ш 4.5 x 20
39	060168706	1	SPOOL, SLIDE control
40	061008916	1	BAR,
41	060156052	1	LEVER,
42	003794520	6	PIN, SPLIT (COTTER), 2.5 x 12
43	9960921633	8	WASHER, A 8.4
44	060501881	1	JOINT, angle, AS 13
45	003794096	1	NUT, hex, VM 6 -8
46	9930977163	1	SCREW, hex, M6 x 20 -8.8
47	060156036	1	LEVER, regulating

03-07 CLEANING SIEVES

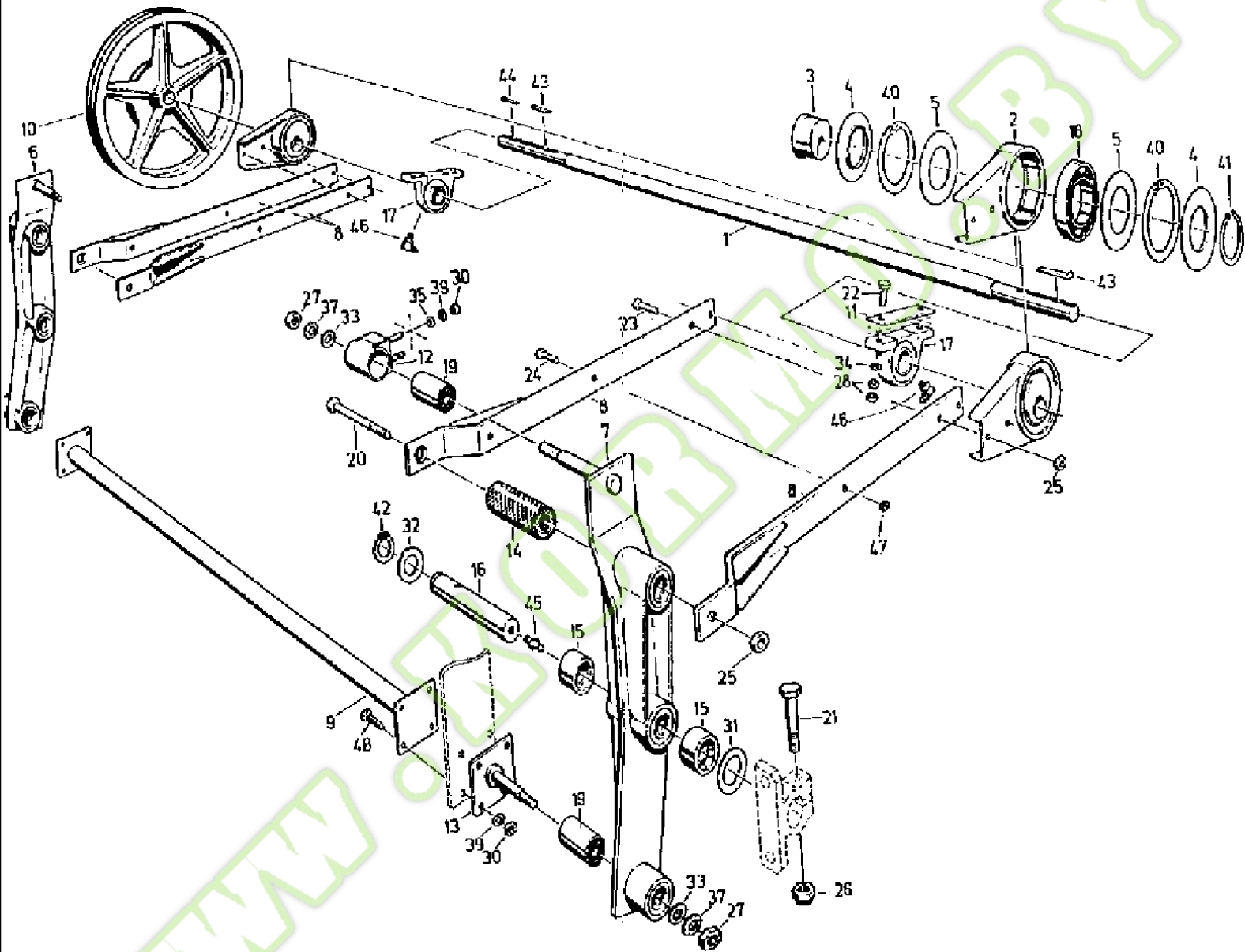
Ref	Part Number	Qty	Description
48	003794553	6	RIVET, 5 x 10
49	9933928931	17	SCREW, hex, M4 x 10 -8.8
50	9950895496	17	NUT, hex, M4 -8
51	003783751	6	SPRING, BELLEVILLE, A 16
52	003794537	6	NUT, hex, VM 8 -8
53	9933929200	8	SCREW, hex, M6 x 12 -8.8
54	9961919927	8	WASHER, SPRING, B 6
55	006213734	15	NUT, hex, M6 -8
56	9961924957	15	DISC, NOTCHED, toothed, A 6.4
57	9961921608	15	WASHER, R 6.6

WWW.KORMO.BY



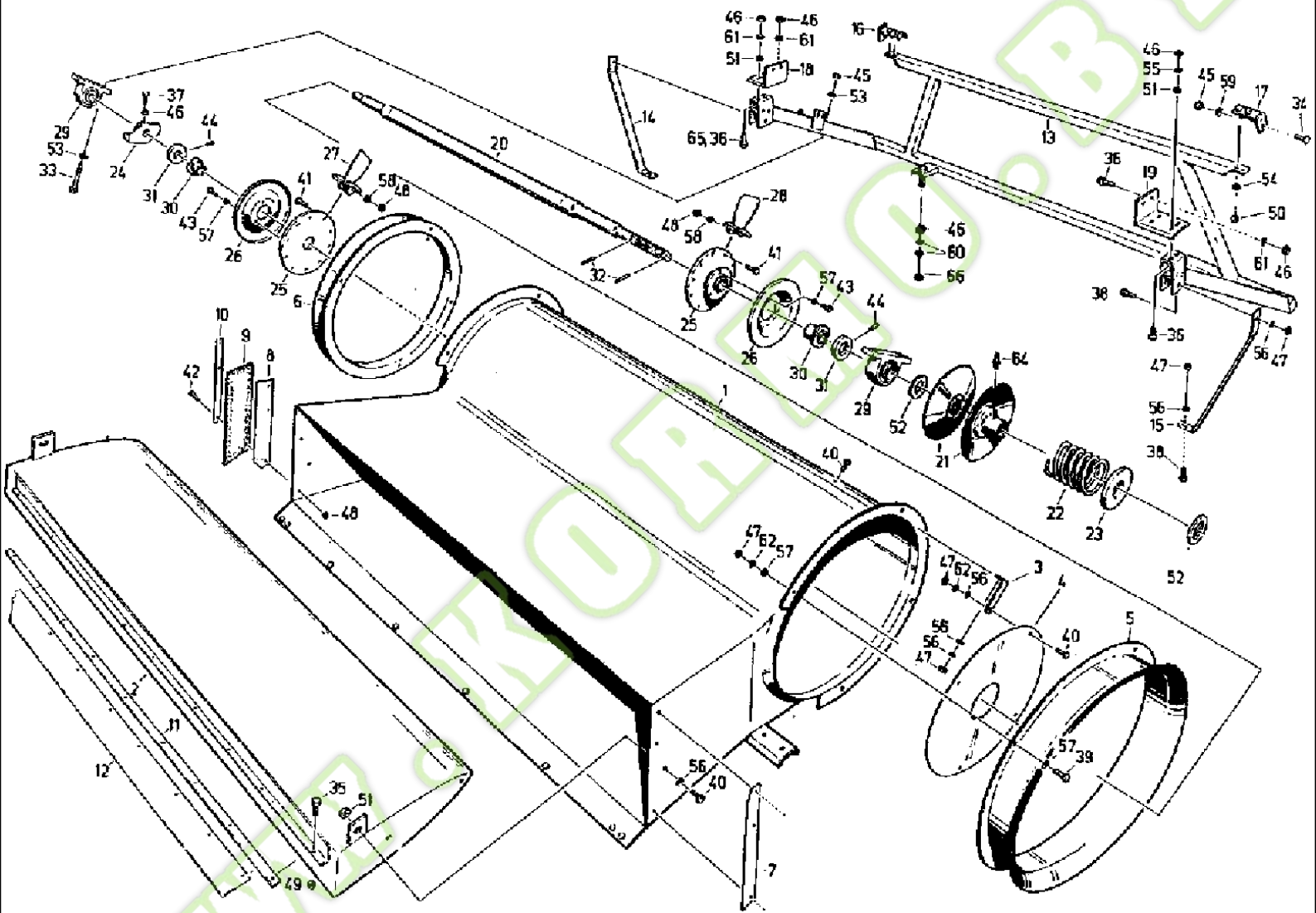
03-11 GRAIN PAN

Ref	Part Number	Qty	Description
1	060150746	1	BOTTOM, PAN grain
2	060198703	1	RAKE,
3	060171613	2	GASKET,
4	4260693850	1	GASKET,
5	4260693867	2	RAIL,
6	060150754	1	ANGLE BAR, rail
7	4221621385	2	SUSPENSION BLOCK,
8	4221621424	4	BEARING, ELEMENT
9	4221621440	4	CLAMP,
10	9932930478	8	SCREW, hex, M8 x 60 -8.8
11	006338385	7	SCREW, hex, M6 x 16 -8.8
13	006213830	8	NUT, hex, M-8
14	003794537	6	NUT, hex, VM8 -8
16	9964962783	4	WASHER, B 8.4
17	006506264	8	DISC, NOTCHED, toothed, A8.2
18	4221621352	2	SUSPENSION BLOCK,
19	4221621408	4	MOUNTING, RUBBER, BEARING
20	9960922546	2	WASHER, 22
21	9963950274	2	PIN, SPLIT (COTTER), 5 x 32
22	006341018	6	SCREW, hex, M8 x 16 -8.8
24	9933929200	30	SCREW, hex, M6 x 12 -8.8
25	060150770	30	PLATE, LOCKING, WASHER, A 6.4
26	006213734	30	NUT, hex, M6 -8
27	060150762	5	CROSSBAR, WEB guide
28	006336736	24	SCREW, hex, M4 x 16 -8.8
29	9950897875	24	NUT, hex, M4 -8
30	060212158	1	COVER, PROTECTIVE,



03-13 CLEANING DRIVE

Ref	Part Number	Qty	Description
1	4260694136	1	SHAFT,
2	4260694111	2	HOUSING, BEARING,
3	4260694128	2	ECCENTRIC,
4	4228671291	4	SPACER, ring
5	4221671208	4	SEAL WASHER,
6	060201403	1	LEVER, f
7	060201411	1	LEVER, g
8	4260694152	4	SHIN, strap
9	4260694144	1	CROSSBAR, member
10	4260694224	1	GROOVED PULLEY, vee-belt
11	4260694240	2	BLOCK,
12	4247056460	2	BEARING,
13	4240022386	2	DRIVE DOG,
14	4131771020	2	PLASTIC RING, SLEEVE rubber
15	4260694177	4	BUSHING,
16	4260694216	2	PIN, LARGE, BOLT
17	060518166	2	BEARING, pedestal, SGE 208
18	9902890257	2	BEARING, ball, 6016
19	4240033846	4	BUSHING, silent, S 23 -0
20	9999850774	2	SCREW, Verbus, M16 x 120 -100
21	9932961861	2	SCREW, hex, M16 x 90 -8.8
22	9931978950	4	SCREW, hex, M14 x 60 -8.8
23	9999850766	4	SCREW, Verbus, M16 x 40 -100
24	9933931123	4	SCREW, hex, M10 x 30 -8.8
25	9999850782	6	NUT, Verbus, M16 -10
26	006267152	2	NUT, hex, M16 -8
27	9950896841	4	NUT, hex, M16 -8
28	9950895334	8	NUT, hex, M14 -8
30	006213935	12	NUT, hex, M10 -8
31	9965964470	4	WASHER, 47 x 65 x 3
32	9907919756	4	WASHER, 47 x 65 x 2
33	9960962055	4	WASHER, 18
34	060518125	4	WASHER,
35	9964962486	4	WASHER, B10.5
37	9961924596	4	DISC, NOTCHED, toothed, A16.5
39	9961924491	12	DISC, NOTCHED, toothed, A10.5
40	9964917633	4	CIRCLIP, 125 x 4
41	9964917408	2	CIRCLIP, 80 x 2.5
42	9964917280	2	CIRCLIP, 45 x 1.6
43	9965955373	2	KEY, gib-head, 12 x 8 x 50
44	003502497	1	KEY, gib-head, 12 x 8 x 63
45	003617056	1	NIPPLE, LUBE, AM8 x 1
46	060150801	2	NIPPLE, LUBE, CM10 x 1
47	006269000	4	NUT, hex, M10 -8
48	9933931180	8	SCREW, hex, M10 x 35 -8.8

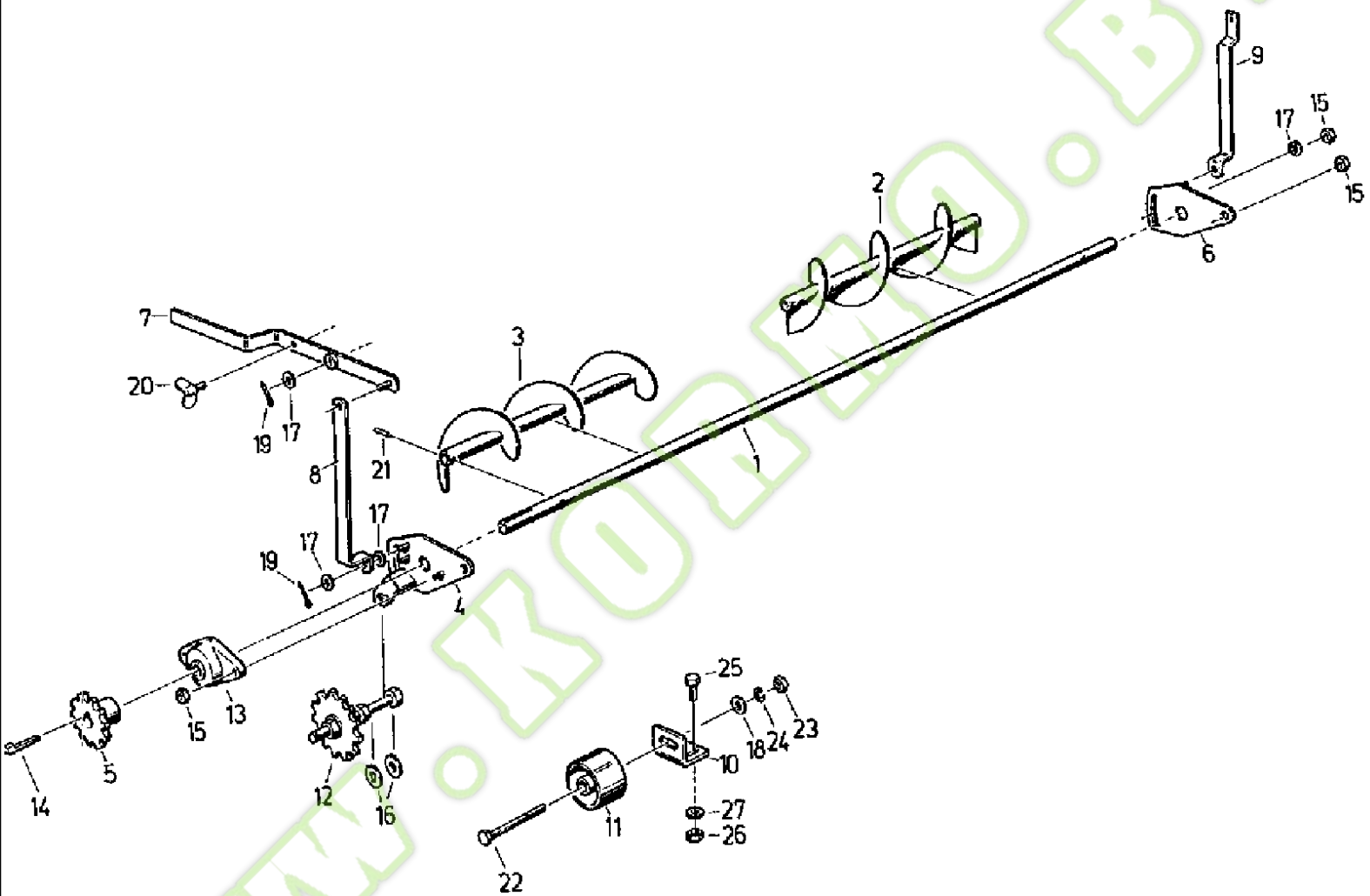


03-17 CLEANING FAN

Ref	Part Number	Qty	Description
1	060047216	1	CASE,
2	060047273	1	PROFILE, stream
3	4240049476	8	STAY,
4	4240049468	2	WASHER,
5	4270720886	1	JET, g
6	4270720894	1	JET, f
7	4270720974	1	ANGLE, g
8	4270720982	1	ANGLE, f
9	4270720958	2	JOINT, RUBBER, seal
10	4270720966	2	RAIL,
11	060047281	1	DISC, RAIL cover
12	060047298	1	JOINT, RUBBER, seal
13	060047386	1	FRAME,
14	060047474	1	SUSPENSION BLOCK, f
15	060047482	1	SUSPENSION BLOCK, g
16	4270720925	1	GUIDE, LEVERS, bracket, f
17	4270720917	1	GUIDE, LEVERS, bracket, g
18	060183047	1	STOP, f
19	4270720933	1	STOP, g
20	060047458	1	TUBE, rotaring
21	4240028592	2	HALF-ROLLER, pulley
22	4221622796	1	SPRING, COMPRESSION,
23	4240028607	1	CUP, SPRING, retainer
24	4260690181	1	WASHER,
25	4270720804	2	HUB,
26	4270720812	2	COVER,
27	4240053817	10	PADDLE, f
28	4240053833	10	FIN, g
29	060518166	2	BEARING, pedestal, SGE 208
30	9903948877	2	PIN, ROLL, SLEEVE adapter, H 2310
31	9964918378	2	RING, LOCKING, adjusting, A45
32	9967942246	2	SPLIT PIN/SAFETY PIN, 8 x 55
33	9932932447	4	SCREW, hex, M12 x 90 -8.8
34	9933931863	4	SCREW, hex, M12 x 25 -8.8
35	003794022	8	SCREW, hex, M4 x 14 -8.8
36	006344037	4	SCREW, hex, M10 x 25 -8.8
37	9933929065	1	SCREW, hex, M10 x 20 -8.8
38	9933929973	4	SCREW, hex, M8 x 25 -8.8
39	9933930001	8	SCREW, hex, M8 x 20 -8.8
40	006340781	20	SCREW, hex, M8 x 16 -8.8
41	006338713	20	SCREW, hex, M6 x 25 -8.8
42	006338385	6	SCREW, hex, M6 x 16 -8.8
43	9933929200	6	SCREW, hex, M6 x 12 -8.8
44	003782357	2	PIN, BOLT stud, M10 x 12
45	006214140	8	NUT, hex, M12 -8

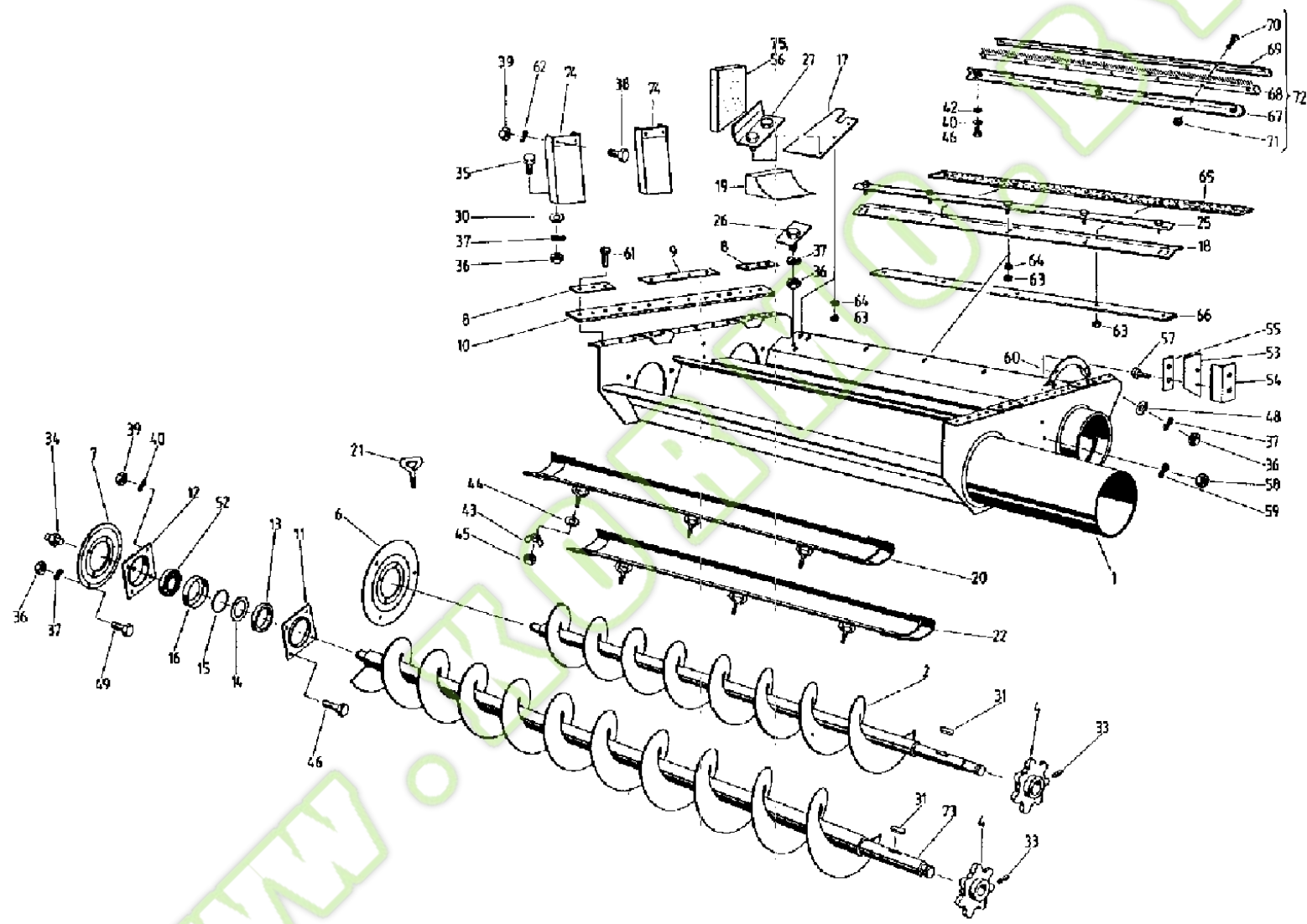
03-17 CLEANING FAN

Ref	Part Number	Qty	Description
46	006213935	11	NUT, hex, M10 -8
47	006213830	28	NUT, hex, M8 -8
48	006267111	26	NUT, hex, M6 -8
49	9950897875	8	NUT, hex, M4 -8
50	006267177	4	NUT, hex, M12 -8
51	006267080	2	NUT, hex, M8 -8
52	9965923534	2	WASHER, 42 x 55 x 4
53	9999853125	8	PLATE, LOCKING, WASHER, VSF M 12
54	4250132814	4	WASHER,
55	006511644	4	WASHER, 13
56	9960921633	20	WASHER, A 8.4
57	9964962783	16	WASHER, B 8.4
58	006510228	20	WASHER, B 6.4
59	9961924506	4	DISC, NOTCHED, toothed, A12.5
60	006576035	4	WASHER, locking, VSF M 12
61	9961924491	12	DISC, NOTCHED, toothed, A 10.5
62	006506264	26	DISC, NOTCHED, toothed, A8.2
64	003617056	1	NIPPLE, LUBE, AM 8 x 1
65	9933931123	2	SCREW, hex, M10 x 30 -8.8
66	006267177	2	NUT, hex, M12 -SW18 -8



03-21 DISTRIBUTOR AUGER, SLOPE

Ref	Part Number	Qty	Description
1	060171494	1	SHAFT,
2	060171260	1	WORM,
3	060171228	1	WORM,
4	060171398	1	PLATE, PIVOT, bearing, f
5	060171365	1	DRIVE SPROCKET,
6	060171437	1	PLATE, PIVOT, bearing, g
7	060171445	2	LEVER, regulating
8	060171478	1	ROD, draw, f
9	060168064	1	ROD, draw, g
10	060171517	1	ANGLE BAR,
11	4221625725	1	TENSIONER, BLOCK fastening
12	060150214	1	DRIVE SPROCKET,
13	060500366	2	CARRIER, BEARING, flange, OFW 25 U
14	9965955228	1	KEY, KEY gib-head, 8 x 7 x 56
15	006269000	8	NUT, hex, M10 -8
16	9964924175	2	WASHER, B 13
17	9960921787	10	WASHER, A10.5
18	9960921988	6	WASHER, A 13
19	9963949762	6	PIN, SPLIT (COTTER), 2.2 x 16
20	006026321	2	THUMB SCREW, wing, M10 x 20
21	060500358	2	SPLIT PIN/SAFETY PIN, 8 x 36
22	9932932334	1	SCREW, hex, M12 x 65 -8.8
23	006214140	1	NUT, hex, M12 -8
24	9961911204	1	WASHER, LOCK, spring, B12
25	9933930001	2	SCREW, hex, M8 x 20 -8.8
26	006213830	2	NUT, hex, M8 -8
27	9999853117	4	PLATE, LOCKING, WASHER, VSF M8



Ref	Part Number	Qty	Description
1	4260694417	1	CASE,
2	4260694546	1	WORM,
4	4240058854	2	DRIVE SPROCKET,
6	4260694474	1	COVER,
7	4260694482	1	COVER,
8	4260694490	4	RAIL,
9	4260694505	2	RAIL,
10	4260694513	2	GASKET,
11	4260689122	2	BEARING LINER, shell
12	4260689130	2	BEARING LINER, shell
13	4221623104	2	GASKET,
14	4110088233	2	SEAL WASHER,
15	4260694562	2	O-RING,
16	4221623073	2	BUSHING, LARGE, ring
17	060050293	2	PAD, RUBBER, plate
18	060050285	1	FENDER, plate
19	4260694538	2	PROFILE, PIECE sectional
20	4260694425	1	FLAP, grain
20	060201202	1	FLAP, grain, 3mm
21	4221623274	6	DRAW HOOK, tow
22	4260694433	1	PLATE, LARGE, FLAP ear
25	060050324	1	SEAL WASHER, rail
26	4260694466	2	STIFFENER, reinforcement
27	060050308	2	RAIL,
30	4221620616	8	WASHER,
31	9965956413	2	KEY, BUCKET TOOTHRT, fitting, A10 x 8 x 36
33	060512378	2	PIN, SCREW set, M8 x 12 -45H
34	003617056	2	NIPPLE, LUBE, AM8 x 1
35	9933930001	8	SCREW, hex, M8 x 20 -8.8
36	006213830	18	NUT, hex, M8 -8
37	9961920061	18	WASHER, SPRING, B 8
38	9933931123	8	SCREW, hex, M10 x 30 -8.8
39	006213935	8	NUT, hex, M10 -8
40	9961920004	17	WASHER, SPRING, B10
42	9965962106	9	WASHER, 11 x 70 x 0.5
43	9951893782	6	NUT, WING, M 6
44	006510927	6	WASHER, A 6.4
45	006267111	6	NUT, hex, M6 -8
46	9933929065	17	SCREW, hex, M10 x 20 -8.8
47	9964962486	9	WASHER, B10.5
48	9964962783	18	WASHER, B8.4
49	006340781	8	SCREW, hex, M8 x 16 -8.8
52	9902890433	2	BEARING, ball, 6205
53	4260706238	2	SEAL,
54	4260706246	2	LANDSIDE, SURFACE bearing

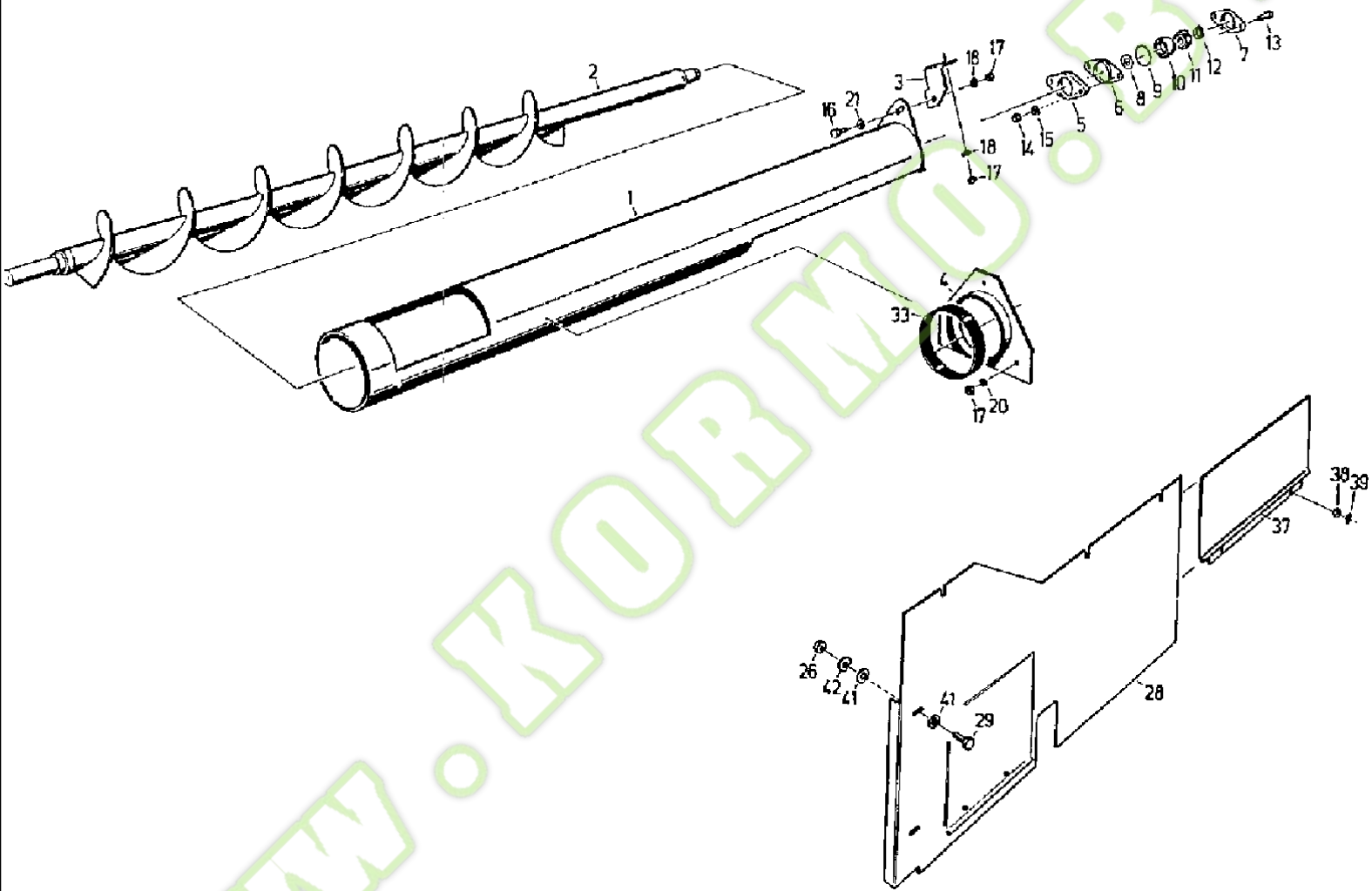
Ref	Part Number	Qty	Description
55	4260706254	2	REINFORCEMENT,
56	060203487	1	GASKET,
57	9945926067	4	SCREW, round-head, M6 x 20 -8.8
58	006213734	4	NUT, hex, M6 -8
59	9961919927	4	WASHER, SPRING, B6
60	4260708867	2	COVER, PROTECTIVE,
61	9971899315	20	RIVET, flat-head, 4.0 x 16.7
62	9999853166	8	PLATE, LOCKING, WASHER, VSF B10
63	006267080	14	NUT, hex, M8 -8
65	060050277	1	STRIP, SEALING, strap
66	060050340	1	RAIL,
67	060162694	3	RAIL,
68	060162700	3	BRUSH,
69	060162725	3	ANGLE BAR,
70	9933977601	21	SCREW, hex, M4 x 25 -8.8
71	9950897875	21	NUT, hex, M4 -8
72	060162686	3	COVER, RAIL sealing
73	060196984	1	WORM,
74	060197390	4	SUSPENSION BLOCK,
75	060203495	1	GASKET,

03-27 TAILINGS ELEVATOR

Ref	Part Number	Qty	Description
1	4260711758	1	CAGE, channel
2	4260711524	1	RAIL, guide
3	4260711540	1	GUIDE,
4	4221624693	1	CHAIN, ELEVATOR,
5	4221624708	36	DRIVE DOG,
6	4221624724	36	BLOCK,
7	4260711284	36	BLOCK,
9	4260711766	1	FLAP,
9	060201235	1	FLAP, ш 3mm
10	4221624580	1	PLATE, LARGE, HEAD rail
11	4260694964	1	COVER,
12	4260688958	1	COVER,
13	4221623973	2	COVER, PROTECTIVE,
14	4260694997	2	SPOOL, valve
15	4221623370	1	DRIVE SPROCKET,
16	4260695008	1	GROOVED PULLEY, vee-belt
17	4260695016	1	SHAFT, DRIVE,
18	4260712718	2	SPACER, ring
19	4221623032	4	BEARING LINER, shell
21	4110088233	2	SEAL WASHER,
22	4221623073	2	BUSHING, LARGE, ring
23	4260694956	1	SPROCKET ASSY., 15 Z
24	4260689122	1	BEARING LINER, shell
25	4221624170	1	GASKET, ring
27	4221624162	1	SEAL WASHER,
28	4260689130	1	BEARING LINER, shell
29	060198350	1	KNOCKER, spout
30	060198422	1	SHEET, support
31	4260712244	1	RETAINER,
32	4221625700	1	BOW,
33	4221625725	1	TENSIONER, BLOCK fastening
35	4221623032	2	BEARING LINER, shell
36	4260707866	3	GASKET,
37	4110088233	1	SEAL WASHER,
39	4260694948	1	SPROCKET ASSY., 15 Z
40	9902890433	1	BEARING, ball, 6205
41	9902890458	3	BEARING, ball, 6205-2 RS
42	9965956132	1	KEY, BUCKET TOOTHRT, fitting, A8 x 7 x 36
43	9965955340	3	KEY, gib-head, 8 x 7 x 36
44	4260694562	4	O-RING,
45	9964917192	1	CIRCLIP, 25 x 1.2
46	9933932567	1	SCREW, hex, M12 x 70 -8.8
47	9933931123	2	SCREW, hex, M10 x 30 -8.8
48	9933929065	10	SCREW, hex, M10 x 20 -8.8
49	006340781	5	SCREW, hex, M8 x 16 -8.8

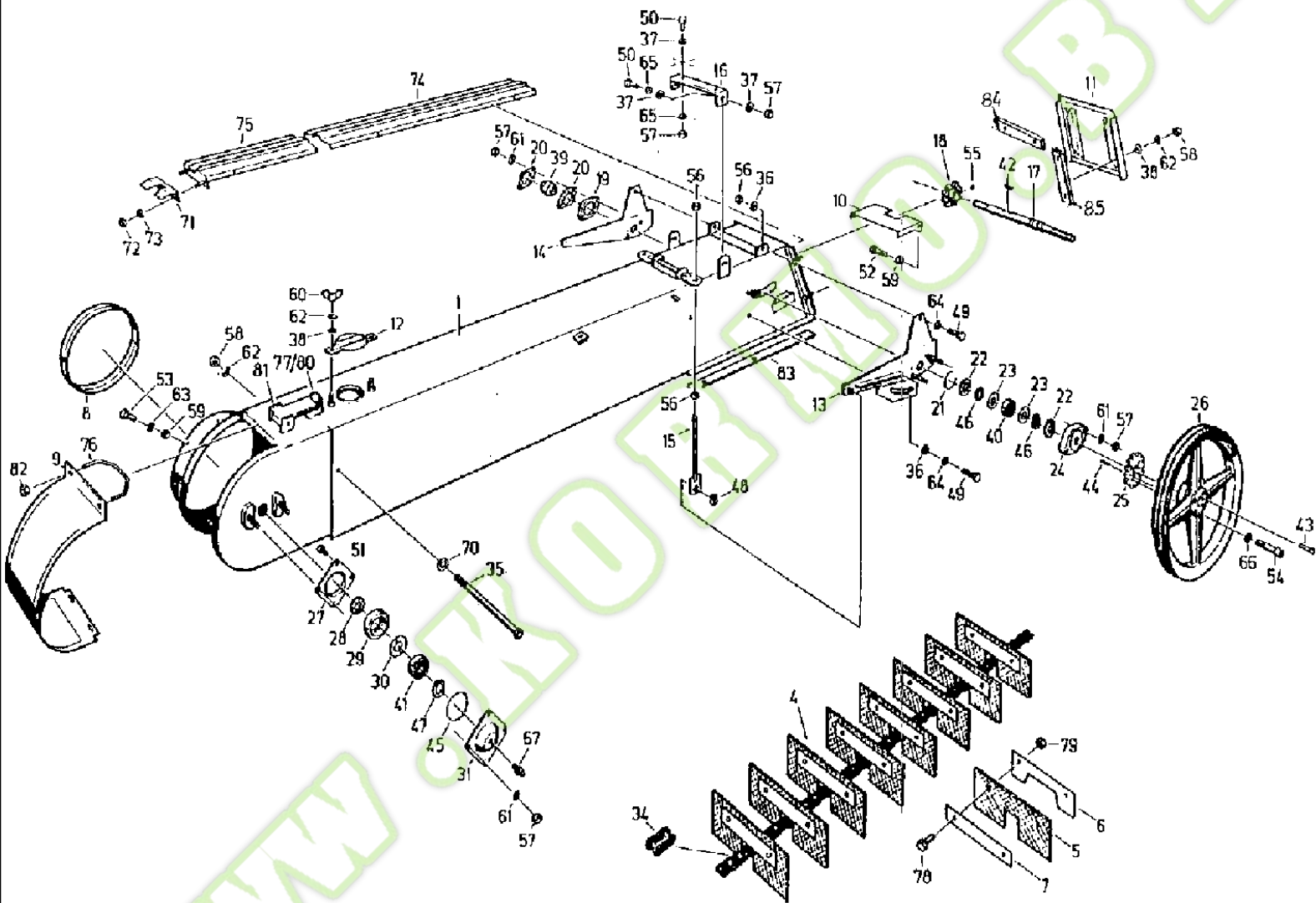
03-27 TAILINGS ELEVATOR

Ref	Part Number	Qty	Description
50	9933959987	2	SCREW, hex, M6 x 35 -8.8
51	9933957903	1	SCREW, hex, M6 x 16 -8.8
52	9947940360	1	PIN, SCREW set, M8 x 12 -45H
53	9945926243	4	SCREW, round-head, M8 x 140 -4.6
54	006214140	1	NUT, hex, M12 -8
55	006213935	24	NUT, hex, M10 -8
56	006213830	9	NUT, hex, M8 -8
57	006213734	75	NUT, hex, M6 -8
58	9951893790	2	NUT, WING, M 8
60	4221620616	2	WASHER,
61	4260689114	11	WASHER,
62	9964962783	4	WASHER, B8.4
63	9999853125	2	PLATE, LOCKING, WASHER, VSF M 12
64	9961920004	16	WASHER, SPRING, B 10
65	9961920061	11	WASHER, SPRING, B 8
66	9961919927	1	WASHER, SPRING, B 6
67	003617056	1	NIPPLE, LUBE, AM8 x 1
69	003782500		LINK, CHAIN, connector, n.B.
70	9933929450	72	SCREW, hex, M6 x 30 -8.8
71	4221625452	1	CLAMP,
72	4221625428	1	HOOK, BOLT through
73	4260713663	1	SUPPORT,
74	9933931123	1	SCREW, hex, M10 x 30 -8.8
77	4260711532	1	RAIL, guide
78	4221624017	1	GASKET,
79	4260711315	1	BOW,
80	4260714744	1	LEVER, ASSY AND KNOB, hand
81	4260714752	1	SPRING,
82	003783286	2	RIVET, A4 x 6
83	006343880	3	SCREW, hex, M10 x 22 -8.8
84	9999853166	4	PLATE, LOCKING, WASHER, VSF B 10
85	006269000	1	NUT, hex, M10 -8
86	9999851068	2	NUT, Verbus, M 8 -10W 193
87	9933931180	2	SCREW, hex, M10 x 35 -8.8
88	060198463	1	RETAINER, bracket
89	006341243	1	SCREW, hex, M8 x 25 -8.8
90	060213830	1	NUT, hex
91	9999853117	2	PLATE, LOCKING, WASHER, VSF M 8
92	060182800	1	GASKET,
93	060207441	1	STRIP, RUBBER, profile



03-33 UPPER EAR AUGER

Ref	Part Number	Qty	Description
1	4260701434	1	TUBE, AUGER
2	4260701442	1	WORM, ear
3	4260695032	1	ANGLE BAR,
4	4260695040	1	FLANGE ASSY, pipe
5	4260712718	1	SPACER, ring
6	4221623032	1	BEARING LINER, shell
7	4221623040	1	BEARING LINER, shell
8	4260689001	1	GASKET,
9	4260694562	1	O-RING,
10	4221623073	1	BUSHING, LARGE, ring
11	9902890441	1	BEARING, ball, 6205 RS
12	9964917192	1	CIRCLIP, 25 x 1.2
13	9933931123	2	SCREW, hex, M10 x 30 -8.8
14	006213935	2	NUT, hex, M10 -8
15	9961920004	2	WASHER, SPRING, B 10
16	9933930001	1	SCREW, hex, M8 x 20 -8.8
17	006213830	6	NUT, hex, M8 -8
18	9960921633	3	WASHER, A 8.4
19	9910883908	1	BUTTON, HANDLE ball
20	9961920061	3	WASHER, SPRING, B 8
21	9964962783	1	WASHER, B 8.4
26	006213734	2	NUT, hex, M6 -8
27	9961924957	4	DISC, NOTCHED, toothed, A 6.4
28	060198190	1	PARTITION,
29	9933958584	4	SCREW, hex, M6 x 18 -8.8
33	060182800	3	GASKET,
37	060165904	1	FLAP,
38	006213478	2	NUT, hex, M5 -8
39	9961963352	2	DISC, NOTCHED, toothed, A5.1
41	006510228	7	WASHER, B 6.4
42	9961919927	2	WASHER, SPRING, B 6

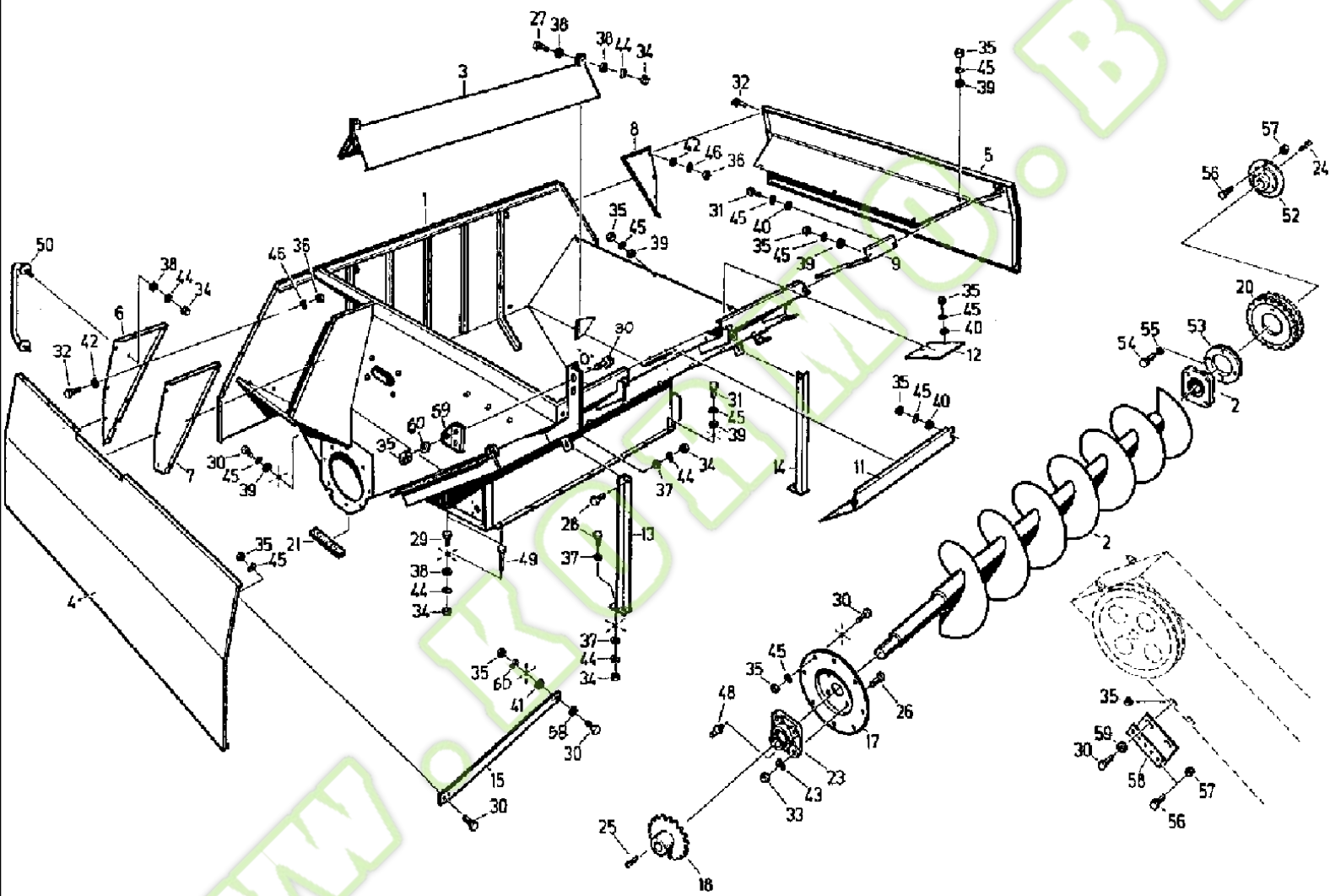


03-35 GRAIN ELEVATOR

Ref	Part Number	Qty	Description
1	060164696	1	CASE,
4	4260688886	1	CHAIN, ELEVATOR, 99 GI
5	4260703493	25	DRIVE DOG,
6	4240028945	25	BLOCK,
7	4260711284	25	BLOCK,
8	4240050156	1	GASKET,
9	4260711292	1	FLAP,
9	060201227	1	FLAP, 3mm
10	4260703934	1	PLATE, LARGE, HEAD rail
11	060166191	1	COVER,
12	4260688958	1	COVER,
13	4260688861	1	IDLER, FRONT, TENSIONER chain
14	4260688853	1	IDLER, FRONT, TENSIONER chain
15	4260688845	2	SPINDLE,
16	4260689018	1	SUPPORT,
17	4260688941	1	SHAFT, DRIVE,
18	4240058854	1	DRIVE SPROCKET,
19	4260712718	1	SPACER, ring
20	4240028953	2	BEARING LINER, shell
21	4260688925	1	RING,
22	4260688974	2	BUSHING, LARGE, RING felt
23	4260688933	2	SEAL WASHER,
24	4260688917	1	BEARING COVER, body
25	4260688982	1	SLEWING RING, RIM toothed
26	4260689026	1	GROOVED PULLEY, vee-belt
27	4260689122	1	BEARING LINER, shell
28	4260689001	1	GASKET,
29	4221623073	1	BUSHING, LARGE, ring
30	4260688990	1	SEAL WASHER,
31	4260689130	1	BEARING LINER, shell
34	003782500		LINK, CHAIN, connector n.B.
35	4240028961	4	SCREW,
36	4250132814	3	WASHER,
37	4221620616	6	WASHER,
38	4260689114	7	WASHER,
39	9902892074	1	BEARING, RING locating, UC 206
40	9902889503	1	BEARING, self aligning ball, 1307
41	9902890433	1	BEARING, ball, 6205
42	9965956413	1	KEY, BUCKET TOOTHRT, fitting, A10 x 8 x 36
43	9965955293	1	KEY, gib-head, 10 x 8 x 50
44	9967941807	2	PIN, grooved, 8 x 20
45	4260694562	1	O-RING,
46	9964917248	2	CIRCLIP, 35 x 1.5
47	9964917192	1	CIRCLIP, 25 x 1.2
48	9964917457	2	CIRCLIP, 12 x 1

03-35 GRAIN ELEVATOR

Ref	Part Number	Qty	Description
49	006346408	3	SCREW, hex, M12 x 20 -8.8
50	006344037	4	SCREW, hex, M10 x 25 -8.8
51	9933930887	2	SCREW, hex, M10 x 16 -8.8
52	9933959987	2	SCREW, hex, M6 x 35 -8.8
53	006338385	1	SCREW, hex, M6 x 16 -8.8
54	9937985116	4	SCREW, cheese-head, M8 x 55 -10.9
55	9947940360	1	PIN, SCREW set, M8 x 12
56	006214140	6	NUT, hex, M12 -8
57	006213935	12	NUT, hex, M10 -8
58	006213830	8	NUT, hex, M8 -8
59	9950895502	3	NUT, hex, M6 -10
60	9951893790	2	NUT, WING, M8
61	9961920004	8	WASHER, SPRING, B10
62	9961920061	10	WASHER, SPRING, B8
63	9961919927	1	WASHER, SPRING, B6
64	9962881831	3	SPRING, BELLEVILLE, A12
65	9962881864	4	SPRING, BELLEVILLE, A10
66	9961910976	4	SPRING, WASHER lock, B 8
67	003617056	1	NIPPLE, LUBE, AM8 x 1
70	9964962783	4	WASHER, B8.4
71	4250136641	1	GUIDE,
72	9999851068	2	NUT, Verbus, M 8 -10W193
73	4260689114	2	WASHER,
74	4260711307	1	RAIL, guide
75	4250136625	1	RAIL, guide
76	4260711315	1	BOW,
77	4260714752	1	SPRING,
78	006338713	50	SCREW, hex, M6 x 25 -8.8
79	003794096	50	NUT, hex, VM6 -8
80	003783286	2	RIVET, flat, A4 x 6
81	4260714744	1	LEVER, ASSY AND KNOB, hand
82	006267080	2	NUT, hex, M8 -8
83	060168466		BLOCK, n.B.
84	060212221	2	GASKET,
85	061068726	2	GASKET,



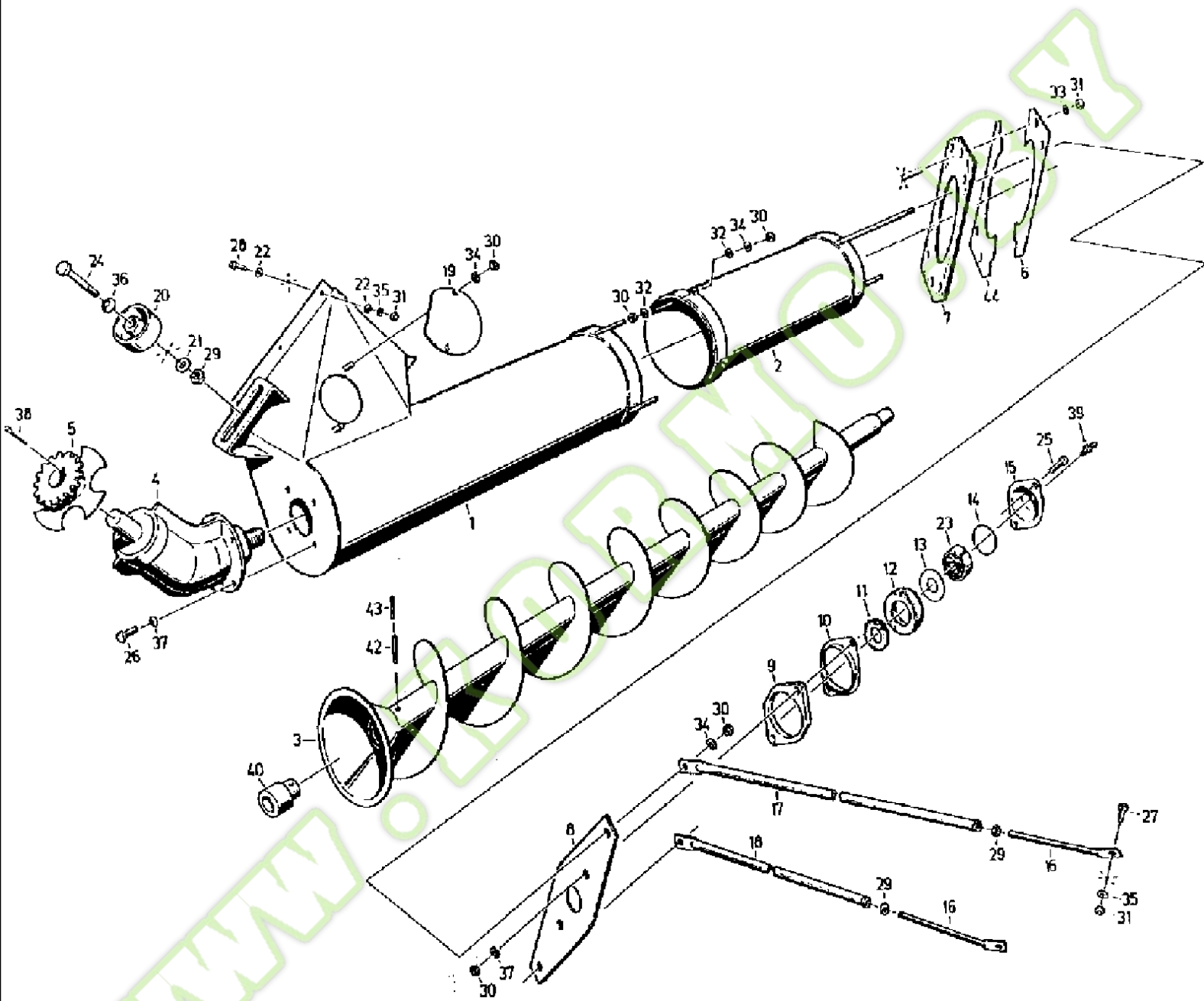
03-41 GRAIN TANK

Ref	Part Number	Qty	Description
1	4260692183	1	CASE,
2	4260692013	1	WORM, unloader
3	4260692021	1	ROOF,
4	4260692191	1	SIDE-PLATE, wall
5	4260692206	1	SIDE-PLATE, wall
6	4260692126	1	BIT, corner
7	4260692134	1	BIT, corner
8	4260692142	1	BIT, corner
9	4260692167	1	BIT, corner
11	4260692095	1	COVER,
12	4260692101	1	COVER,
13	4260692062	1	SUPPORT,
14	4260692070	1	SUPPORT,
15	4260692175	1	SUPPORT,
17	4260692087	1	FLANGE,
18	4260692038	1	SPROCKET ASSY., 21 Z
21	4240024242	2	SEAL,
22	9902888301	1	CARRIER, BEARING, flange, FGE 208
23	9902888295	1	CARRIER, BEARING, flange, FGE 207
24	003502497	1	KEY, gib-head, 12 x 8 x 63
25	9965955285	1	KEY, gib-head, 10 x 8 x 45
26	9933932108	8	SCREW, hex, M12 x 40 -8.8
27	9933931123	2	SCREW, hex, M10 x 30 -8.8
28	006344037	6	SCREW, hex, M10 x 25 -8.8
29	9933929065	11	SCREW, hex, M10 x 20 -8.8
30	9933930001	20	SCREW, hex, M8 x 20 -8.8
31	006340781	11	SCREW, hex, M8 x 16 -8.8
32	9933929200	20	SCREW, hex, M6 x 12 -8.8
33	006214140	8	NUT, hex, M12 -8
34	006213935	18	NUT, hex, M10 -8
35	006213830	33	NUT, hex, M8 -8
36	006213734	20	NUT, hex, M6 -8
37	9961921970	10	WASHER, R 11
38	9964962486	18	WASHER, B 10.5
39	9961921673	26	WASHER, R 9
40	9964962783	12	WASHER, B 8.4
42	006510228	20	WASHER, B 6.4
43	9999853174	8	PLATE, LOCKING, WASHER, VSF B12
44	9961920004	22	WASHER, SPRING, B 10
45	9961920061	42	WASHER, SPRING, B 8
46	9961919927	20	WASHER, SPRING, B 6
48	003617056		NIPPLE, LUBE, n.B., AM8 x 1
48	9920925523		NIPPLE, LUBE, n.B., AM10 x 1
49	9932931550	1	SCREW, hex, M10 x 100 -8.8
50	4260706816	1	RAMP, handrail

03-41 GRAIN TANK

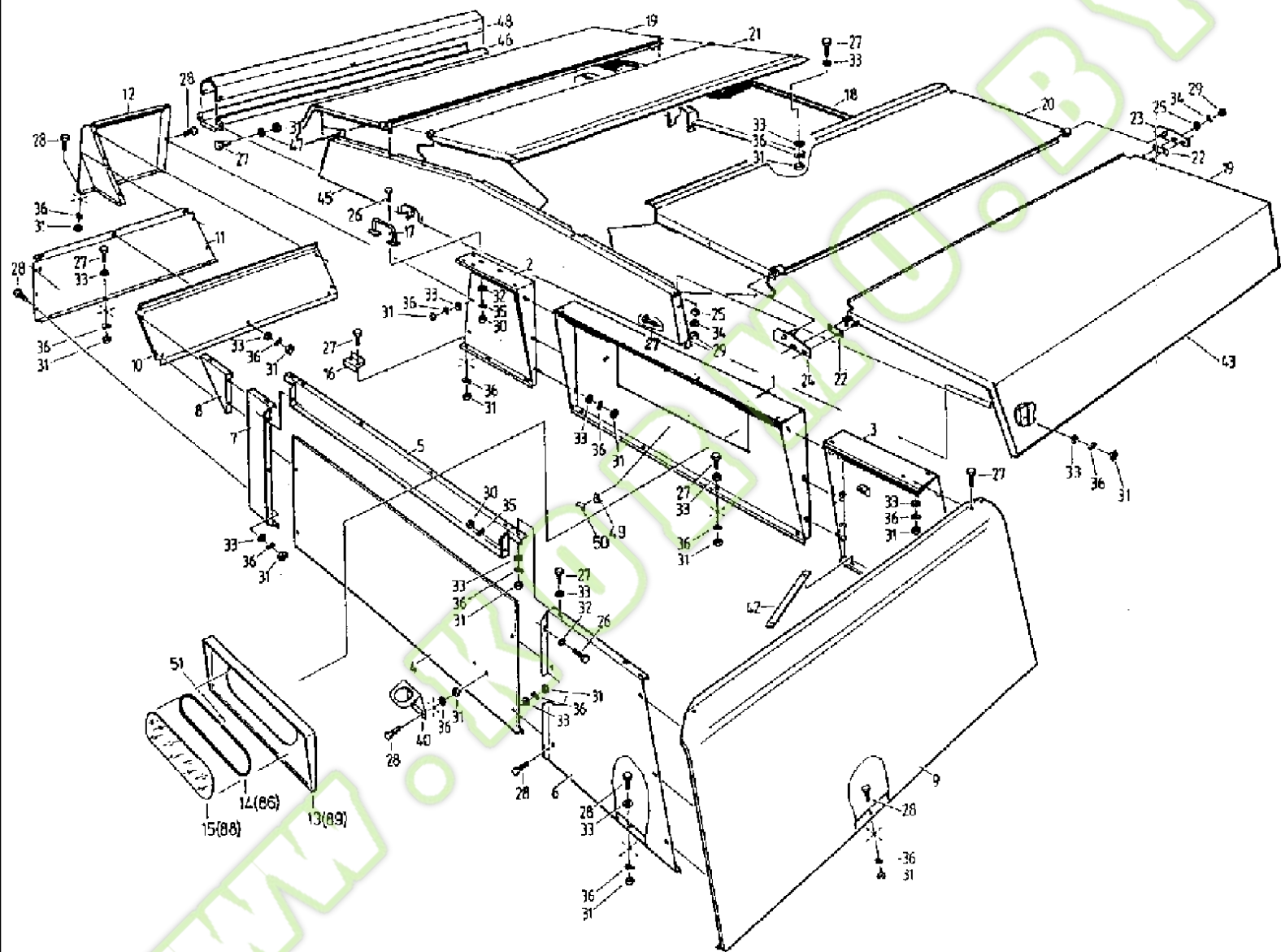
Ref	Part Number	Qty	Description
51	060207208	1	SPROCKET, double
52	060207232	1	HUB,
53	060207240	1	RING,
54	006341243	4	SCREW, hex, M8 x 25 -8.8
55	9999853117	4	PLATE, LOCKING, WASHER, VSF M 8
56	9932930613	1	SCREW, hex, M8 x 40 -8.8
57	006257080	1	NUT, hex, M8 -8
58	061050323	1	PROFILE,
58	9999853158	2	PLATE, LOCKING, WASHER, VSF B 8
59	060210285	1	ANGLE,
60	006576027	3	PLATE, LOCKING, WASHER, VSF M 8

WWW.KORMO.BY



03-45 TANK FILLING AUGER

Ref	Part Number	Qty	Description
1	4260689034	1	CHUTE, funnel
2	4260689050	1	CHUTE, HEAD housing
3	060172132	1	WORM,
4	020058267	1	DRIVE, ANGLE, TRANSMISSION bevel wheel
5	060029616	1	PINION, WHEEL driving
6	4260689091	1	COVER, PLATE
7	4260689083	1	COVER, PLATE sealing
8	4260689067	1	PLATE, PIVOT, bearing
9	4260712718	1	SPACER, ring
10	4221623032	1	BEARING LINER, shell
11	4260689075	1	BUSHING, LARGE, RING felt
12	4221623073	1	BUSHING, LARGE, RING
13	4110088233	1	SEAL WASHER,
14	4260694562	1	O-RING,
15	4260689106	1	BEARING LINER, shell
16	4260692720	1	SPINDLE,
17	4260692704	1	STAY,
18	4260692712	1	STAY,
19	4260701241	1	COVER,
20	4221625725	1	TENSIONER, BLOCK fastening
21	4250132814	1	WASHER,
22	4260689114	12	WASHER,
23	9902890433	1	BEARING, ball, 6205
24	9932932334	1	SCREW, hex, M12 x 65 -8.8
25	9933931123	2	SCREW, hex, M10 x 30 -8.8
26	006343880	4	SCREW, hex, M10 x 22 -8.8
27	9933959415	2	SCREW, hex, M8 x 22 -8.8
28	9933930001	6	SCREW, hex, M8 x 20 -8.8
29	006214140	3	NUT, hex, M12 -8
30	006213935	12	NUT, hex, M10 -8
31	006213830	14	NUT, hex, M8 -8
32	9965964237	6	WASHER, 11 x 20 x 3
33	9965964823	6	WASHER, 9 x 40 x 3
34	9961920004	7	WASHER, SPRING, B10
35	9961920061	8	WASHER, SPRING, B 8
36	003784414	1	SPRING, BELLEVILLE, A 25
37	006724667	6	SPRING, BELLEVILLE, A 20
38	9965955332	1	KEY, gib-head, 8 x 7 x 32
39	9920925492	1	NIPPLE, LUBE, AM 6
40	061022303	1	SOCKET WRENCH, driver
42	060506958	1	SPLIT PIN/SAFETY PIN, fastening, 13 x 55
43	9967942246	1	SPLIT PIN/SAFETY PIN, fastening, 8 x 55
44	060180253	1	COVER, PLATE



03-49 TANK COVER, TANK UPPER PART

Ref	Part Number	Qty	Description
1	060197413	1	PARTITION, PANEL front
2	4260700562	1	ORIFICE, shield
3	4260700570	1	ORIFICE, shield
4	4260702933	1	COVER,
5	4260700601	1	BRIDGE,
6	060210582	1	COVER, PROTECTIVE,
7	060210574	1	PARTITION, element
8	4260700505	1	BIT, angle
9	4260700554	1	SIDE-PLATE, WALL
10	4260700595	1	BOTTOM,
11	4260700587	1	ANTISQUEAK, WALL inner
12	4260700546	1	SIDE-PLATE, WALL
13	061021503	1	FRAME, WINDOW,
14	4254135557	1	BUFFER, RUBBER, holding
15	4240044350	1	GLASS, CAB, rear windscreen
16	4260700490	3	COVER, PROTECTIVE,
17	4260695924	1	GRIP,
18	4270721001	1	PARTITION, front
19	060106236	2	PANEL, ceiling
20	060207425	1	COVER, g
21	060207386	1	COVER, f
22	4260696283	4	BLOCK,
23	4260696291	2	SHIN, STRAP hinged
24	4260696306	2	SHIN, STRAP hinged
25	4221620616	16	WASHER,
26	006340781	4	SCREW, hex, M8 x 16 -8.8
27	006338385	63	SCREW, hex, M6 x 16 -8.8
28	9933929200	43	SCREW, hex, M6 x 12 -8.8
29	006213935	16	NUT, hex, M10 -8
30	006213830	4	NUT, hex, M8 -8
31	006213734	110	NUT, hex, M6 -8
32	9964962783	4	WASHER, B 8.4
33	006510228	117	WASHER, B 6.4
34	9961920004	16	WASHER, SPRING, B 10
35	9961920061	4	WASHER, SPRING, locking, VSF M 8
36	9999853100	110	PLATE, LOCKING, WASHER, VSF M 6
40	4260702941	1	RETAINER,
42	4260707431	1	STAY,
43	4260708930	2	SIDE-PLATE, WALL
45	4270721018	1	COVER, REAR, WALL rear
46	060182720	1	FRAME, canal
47	060150770	16	PLATE, LOCKING, WASHER, VSF - B 6
48	060182761	1	ROOF,
49	4221602776	3	CLAMP,
50	9951893790	3	NUT, WING, M8

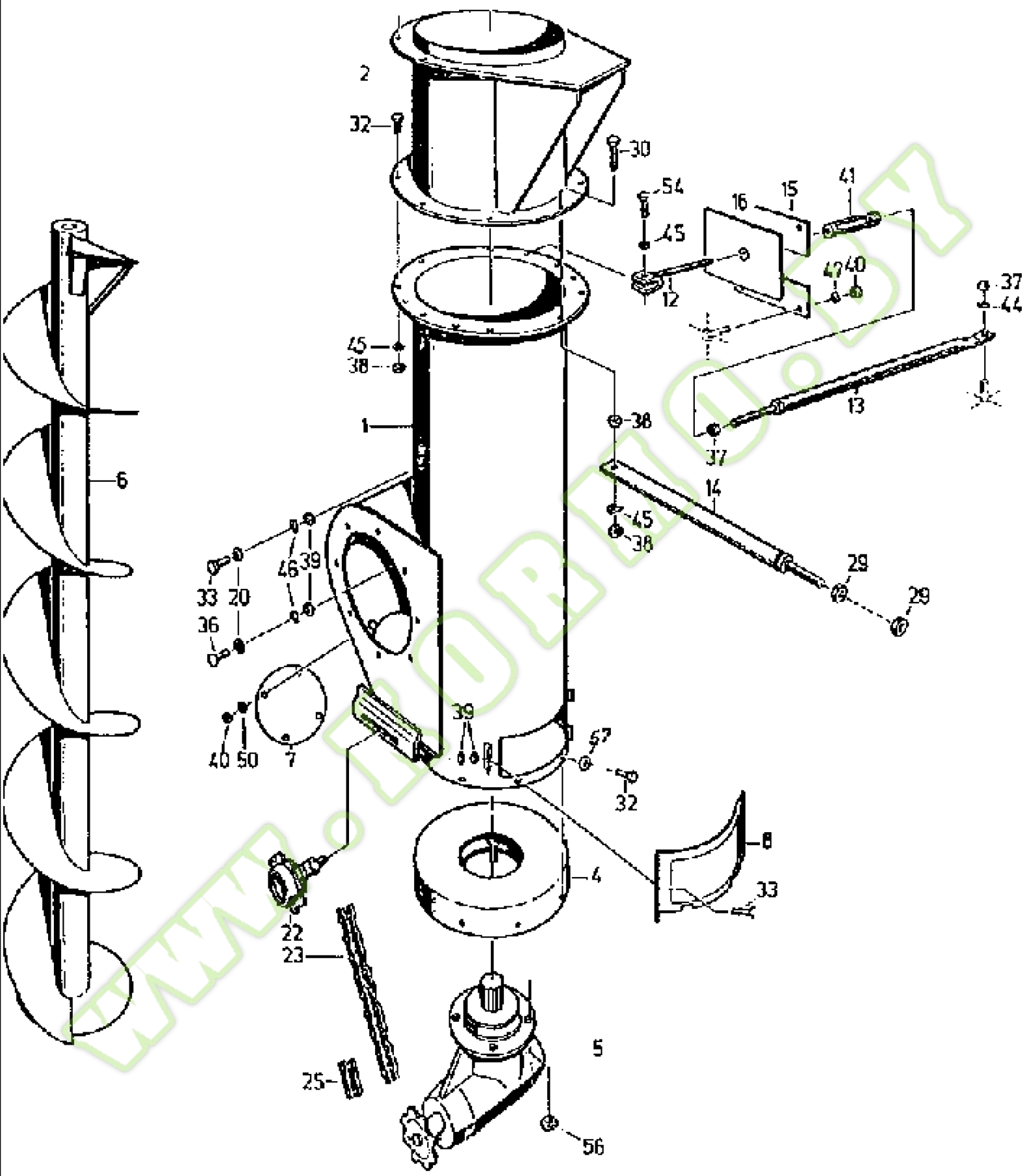
525 CASE IH COMBINE (1/99-12/99)

03-49 TANK COVER, TANK UPPER PART

Ref	Part Number	Qty	Description
51	4228666366	1	CLASP,

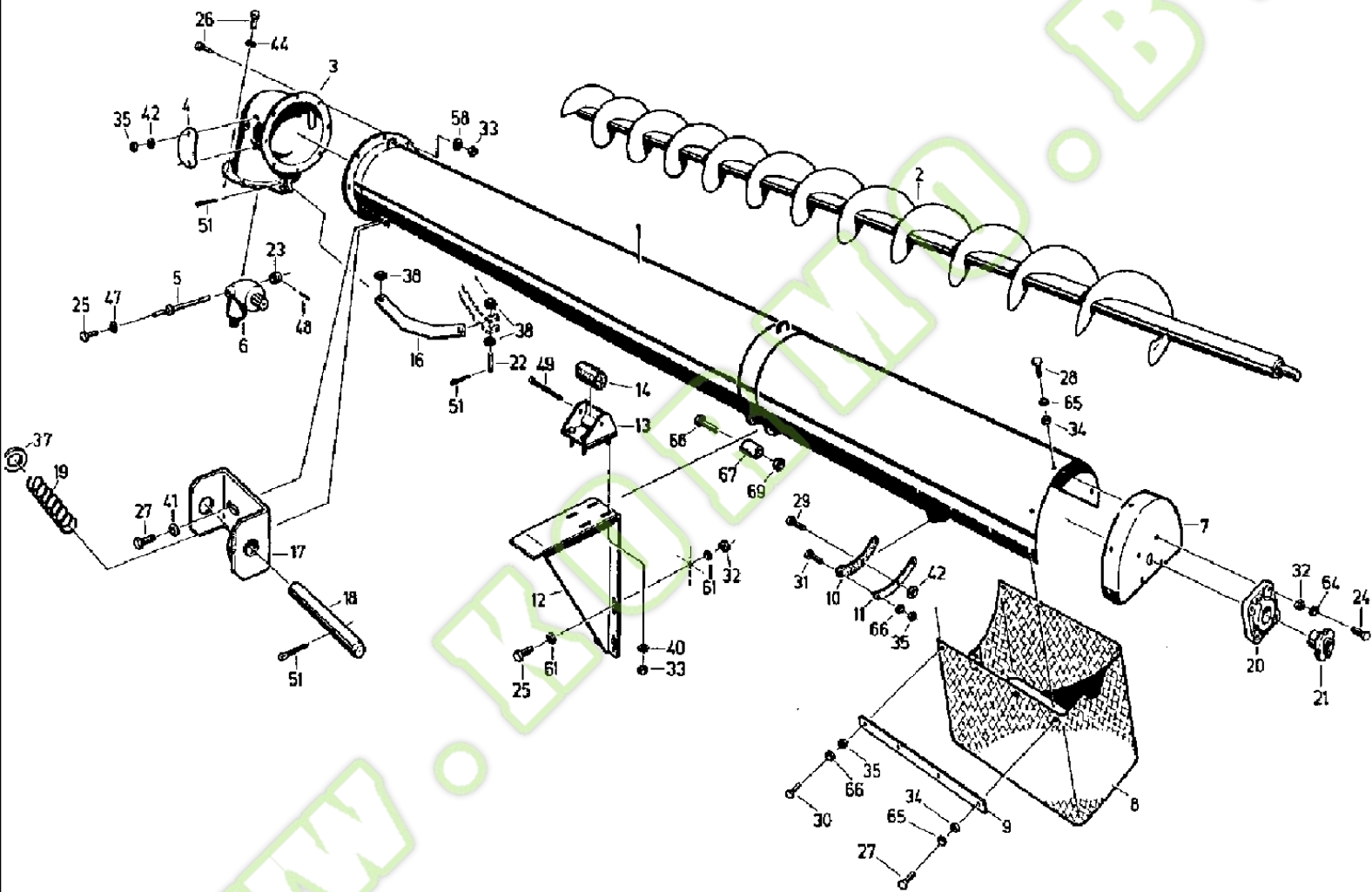
WWW.KORMO.BY





03-53 ASCENDING AUGER

Ref	Part Number	Qty	Description
1	060204881	1	HOUSING, AUGER
2	061032290	1	TUBE, part
4	4260692263	1	BOTTOM,
5	020053012	1	GEAR, TRANSMISSION Bevel wheel
6	4260692247	1	WORM, ascending
7	4260692214	1	COVER,
8	4260692222	1	FLAP,
12	4260700417	1	CRADLE, HITCH trailer
13	4260700425	1	SUPPORT,
14	4270717882	1	SUPPORT,
15	4260700394	1	PROTECTOR, strip
16	4260700400	1	COVER, plate
20	4260689114	8	WASHER,
21	4221620616	8	WASHER,
22	9916886123	1	PINION, chain tensioner, 12 B-1x21
23	060521161	1	CHAIN (AGRICULTURE), roller, 12 A -1x68
25	9917905476	1	LINK, chain, E -12A
29	9950896841	2	NUT, hex, M16 -8
30	9933931228	1	SCREW, hex, M10 x 40 -8.8
32	006343880	18	SCREW, hex, M10 x 22 -8.8
33	9933929973	4	SCREW, hex, M8 x 25 -8.8
36	9945926163	2	SCREW, round-head, M8 x 20 -8.8
37	006214140	2	NUT, hex, M12 -8
38	006213935	11	NUT, hex, M10 -8
39	006213830	10	NUT, hex, M8 -8
40	006213734	8	NUT, hex, M6 -8
41	9952949226	1	NUT, hex, SPM 12
44	006501557	2	WASHER, SPRING, B 12
45	9999853094	14	PLATE, LOCKING, WASHER, VSF M 10
46	9999853158	8	PLATE, LOCKING, WASHER, VSF B 8
47	9999853100	4	PLATE, LOCKING, WASHER, VSF M 6
50	9961924957	4	DISC, NOTCHED, toothed, A6.4
54	9933931180	1	SCREW, hex, M10 x 35 -8.8
56	9999850901	4	NUT, Verbus
57	9999853166	8	PLATE, LOCKING, WASHER, VSF B 10



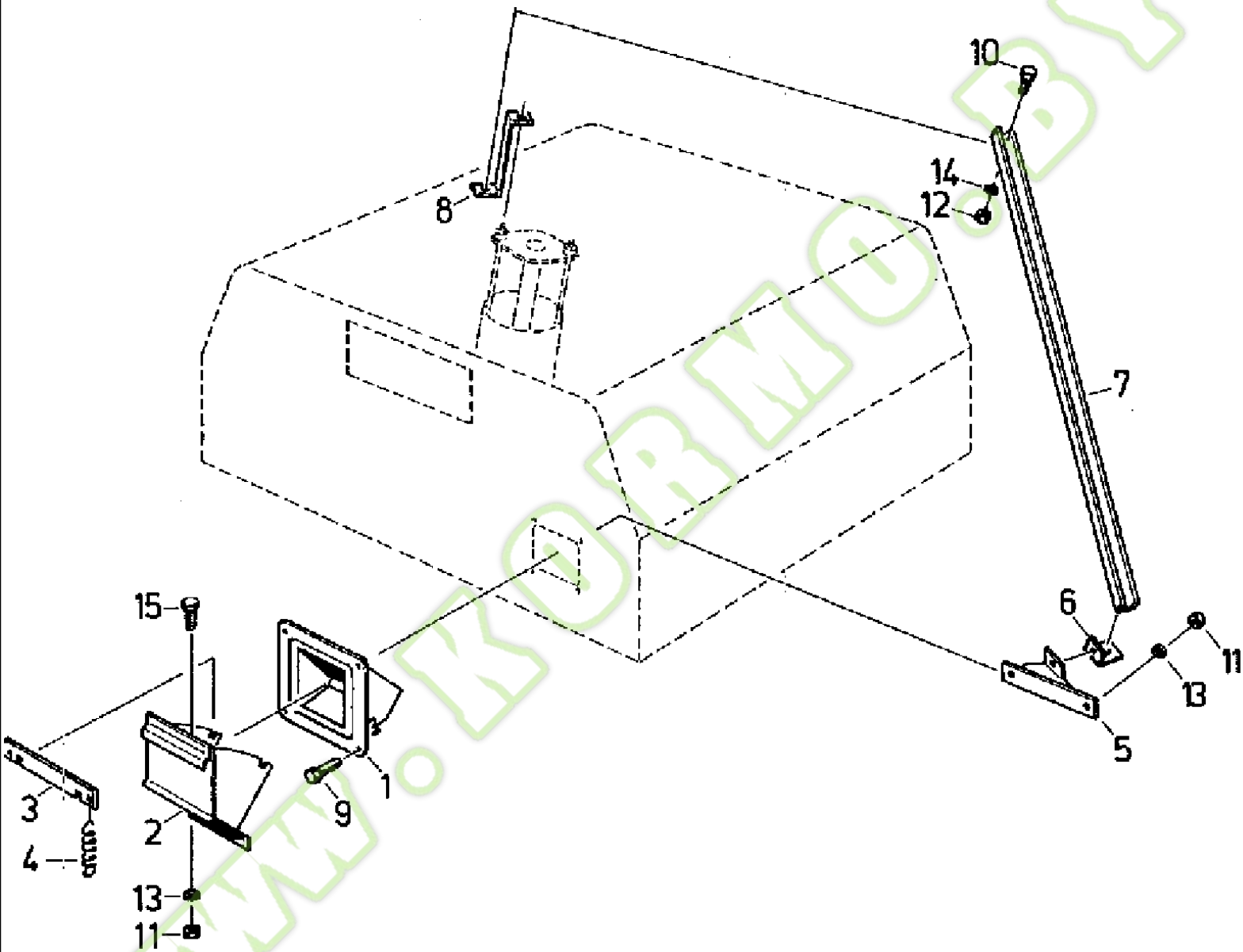
03-55 TANK UNLOADING AUGER

Ref	Part Number	Qty	Description
1	060204912	1	TUBE, AUGER
2	060026211	1	WORM,
3	061032241	1	KNEE,
4	4260692327	2	COVER,
5	4260692376	1	TRANSMISSION, shaft
6	4260688218	1	GEAR, TRANSMISSION bevel wheel
6	060194275	1	GEAR, TRANSMISSION bevel wheel
7	4260692302	1	COVER,
8	4260692296	1	EXTENSION, chute
9	4260692288	2	RAIL,
10	4260692343	1	STRIP, SEALING,
11	4260692335	1	SECTOR,
12	060207304	1	SUPPORT,
13	4260692392	1	STOP,
14	4221621408	1	MOUNTING, RUBBER, bearing
20	9902888391	1	CARRIER, BEARING, flange, FGE 207 K
21	9903948098	1	SLEEVE, adapter, H 2307 St
23	9964918425	1	RING, LOCKING, locating, B 20
24	006346666	10	SCREW, hex, M12 x 30 -8.8
25	9933931863	6	SCREW, hex, M12 x 25 -8.8
26	006343880	12	SCREW, hex, M10 x 22 -8.8
27	9933930001	2	SCREW, hex, M8 x 20 -8.8
28	006340781	3	SCREW, hex, M8 x 16 -8.8
29	9930977163	1	SCREW, hex, M6 x 20 -8.8
30	006338385	8	SCREW, hex, M6 x 16 -8.8
31	9933929200	2	SCREW, hex, M6 x 12 -8.8
32	006214140	15	NUT, hex, M12 -8
33	006213935	14	NUT, hex, M10 -8
34	006213830	5	NUT, hex, M8 -8
35	006213734	15	NUT, hex, M6 -8
39	9964924175	2	WASHER, A 13
40	9964962486	4	WASHER, B 10.5
42	006510228	9	WASHER, B 6.4
47	9961924506	2	DISC, NOTCHED, toothed, A12.5
48	9967940822	1	PIN, taper, 5 x 30
49	9963950885	1	PIN, SPLIT (COTTER), 8 x 90
52	061032354	1	ARM,
53	061032178	2	SECTOR,
54	061032756	4	SPACER, disk
55	061032200	3	SEGMENT, sliding
56	9949864924	2	PIN, LARGE, BOLT, B20 H11 x 70 x 54
57	9963950274	4	PIN, SPLIT (COTTER), 5 x 32
58	9999853094	12	PLATE, LOCKING, WASHER, VSF M 10
59	9932931405	12	SCREW, hex, M10 x 60 -8.8
60	9920925523	4	NIPPLE, LUBE,

03-55 TANK UNLOADING AUGER

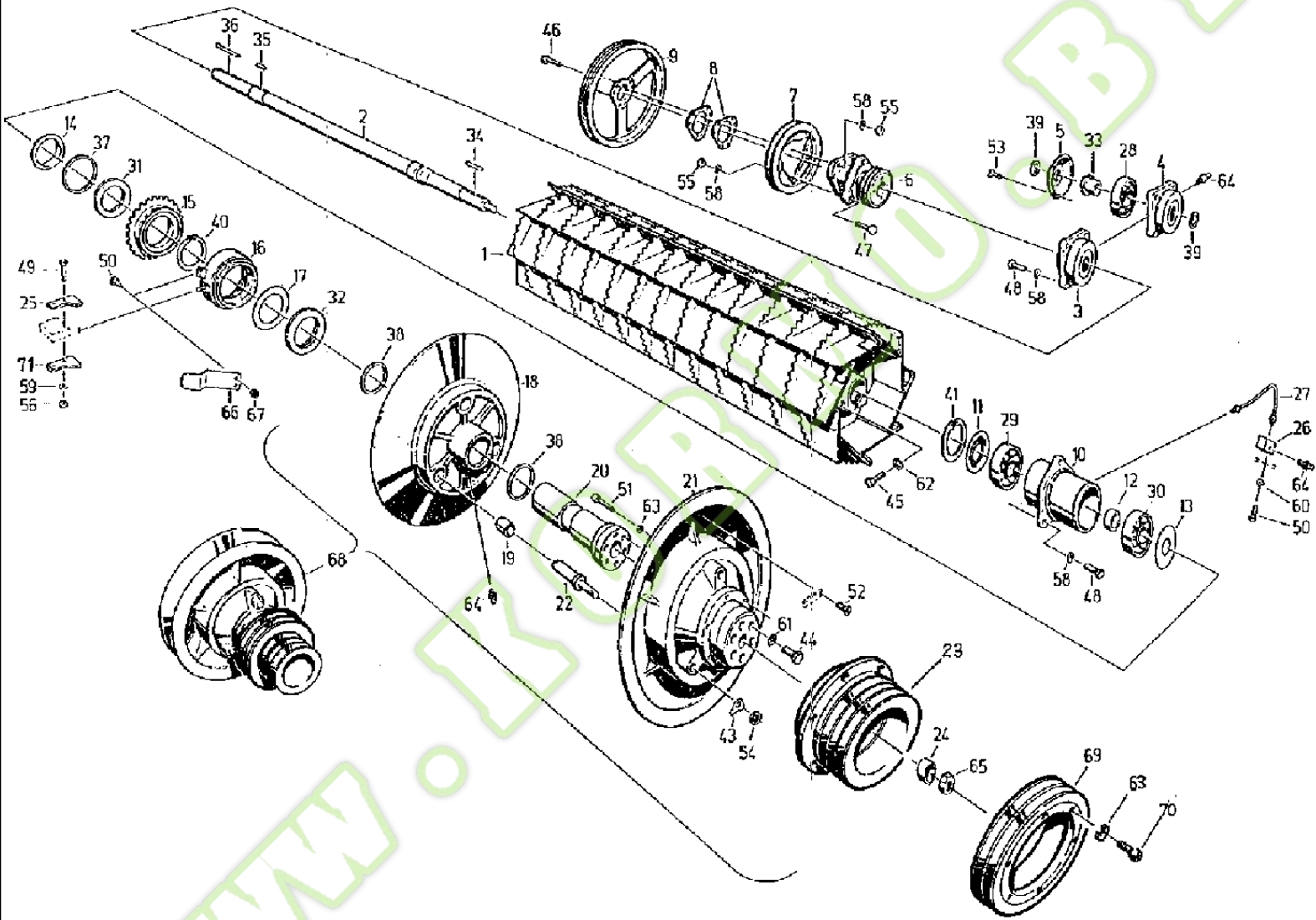
Ref	Part Number	Qty	Description
61	9999853174	16	PLATE, LOCKING, WASHER, VSF B 12
62	9933932108	1	SCREW, hex, M12 x 40 -8.8
64	9999853125	4	PLATE, LOCKING, WASHER, VSF M12
65	9999853158	6	PLATE, LOCKING, WASHER, VSF B 8
66	060150770	11	PLATE, LOCKING, WASHER, VSF B 6
67	060207160	1	ROLLER, SHIFTER, pullkey
68	9932959352	1	SCREW, hex, M8 x 70 -8.8
69	006267080	1	NUT, hex, M8 -8

WWW.KORMO.BY



03-59 SAMPLING DEVICE

Ref	Part Number	Qty	Description
1	060023627	1	CASE,
2	060023707	1	FLAP,
3	060023764	1	BRIDGE,
4	060023998	2	SPRING, TENSION, A1 x 11 x 60 AA2
5	060023772	1	STIRRUP, PROFILE retaining
6	060023780	1	ANGLE, retaining
7	060023797	1	LINE, chute
8	060023803	1	STIRRUP, strap
9	9933929651	4	SCREW, hex, M6 x 14 -8.8
10	006340781	3	SCREW, hex, M8 x16 -8.8
11	006213734	6	NUT, hex, M6 -8
12	006213830	3	NUT, hex, M8 -8
13	9999853100	6	PLATE, LOCKING, WASHER, VSF M 6
14	9999853117	3	PLATE, LOCKING, WASHER, VSF M 8
15	9933929161	2	SCREW, hex, M6 x 10 -8.8

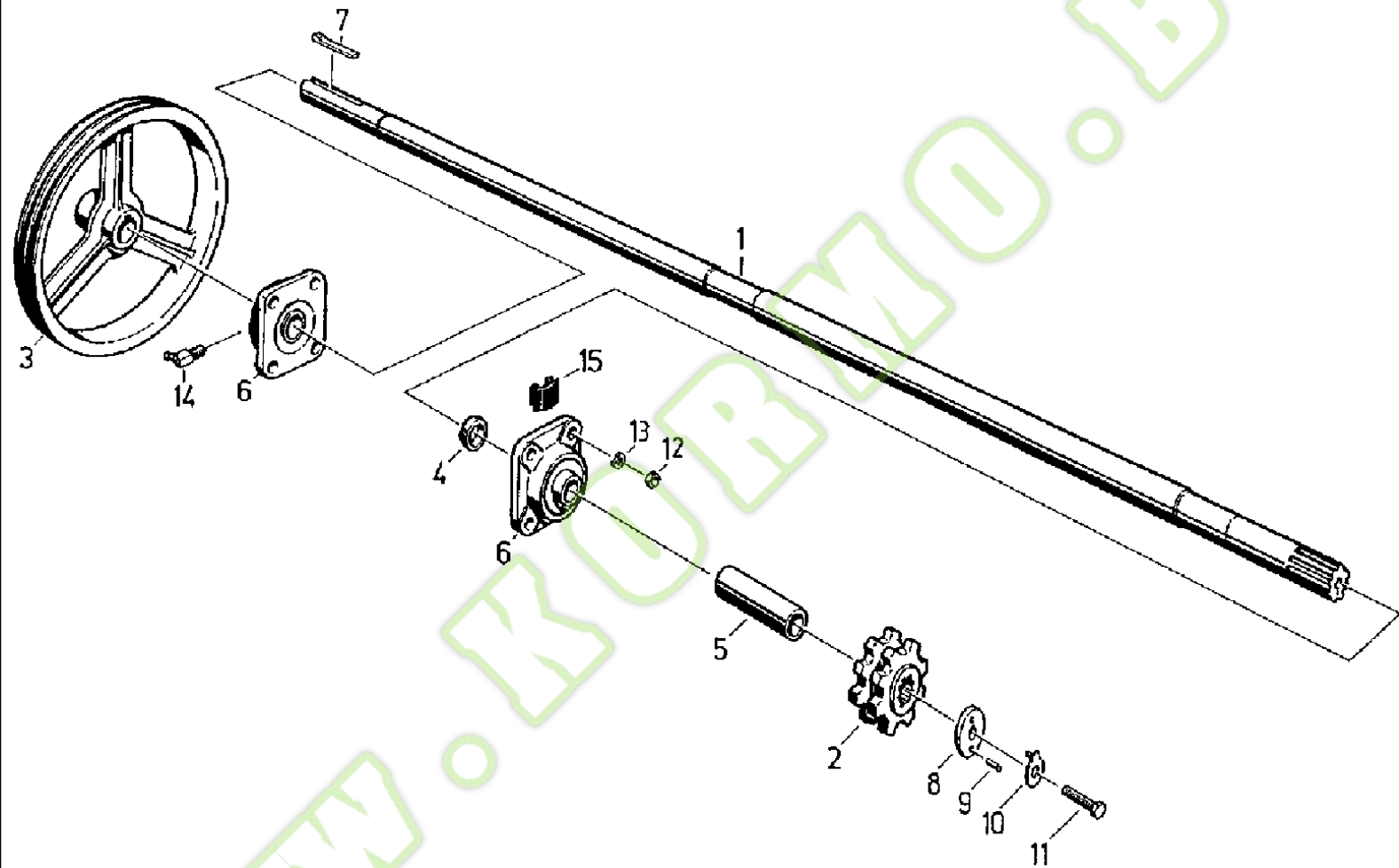


04-03 REAR BEATER-VARI-DRIVE

Ref	Part Number	Qty	Description
1	4250120072	1	DRUM,
2	4260690751	1	SHAFT,
3	4260690614	1	BEARING,
4	4260690622	1	HOUSING, BEARING,
5	4260690768	1	COVER,
6	4260690591	1	HUB,
7	4260696267	1	GROOVED PULLEY, vee-belt
8	4260690696	2	SPACER, WASHER
9	060143788	1	GROOVED PULLEY, vee-belt
10	4260690688	1	HOUSING, BEARING,
11	4221610077	1	COVER,
12	4221610253	1	SPACER, ring
13	4221620142	1	SEAL WASHER,
14	4260690671	1	SPACER, ring
15	4260707464	1	BUSHING, adjustable
16	4260707142	1	SLEEVE, threaded
17	4221610108	1	SEAL WASHER,
18	4221620167	1	HALF-ROLLER, pulley
19	9926867330	3	BUSHING, D28/36 x 32
20	4221626806	1	BUSHING, guide
21	4260690630	1	HALF-ROLLER, pulley
22	4221620247	3	PIN, LARGE, BOLT driver
23	060143802	1	WASHER, pulley
24	4260707376	1	BUSHING,
25	4260690727	1	PLATE, KNIFE GUIDE,
26	4260690735	1	MANIFOLD VALVE, shoe
27	4260690743	1	LINE, lubricant
28	9902889511	1	BEARING, self-align.ball, 1312 K
29	9902890964	1	BEARING, ball, 6309 RS
30	9902890948	1	BEARING, ball, 6309
31	9902888158	1	BEARING, BALL, 51122
32	9902888053	1	BEARING, BALL, 51120 M
33	9903948081	1	PIN, ROLL, SLEEVE adapter, H 312 St
34	9965956727	1	KEY, BUCKET TOOTHRT, fitting, A12 x 8 x 110
35	9965956928	1	KEY, BUCKET TOOTHRT, fitting, A16 x 10 x 70
36	9965955582	1	KEY, gib-head, 16 x 10 x 140
37	9907914534	1	O-RING, 140 x 3
38	9907915711	2	O-RING, 75 x 3
39	9910911882	2	BUSHING, LARGE, RING felt, 55 x 6/12230 M 4
40	9964917432	1	CIRCLIP, 110 x 4
41	9964917867	1	NUT, RING snap, 100 x 3
43	4260708850	3	PLATE, LOCKING,
44	9935932950	6	SCREW, hex, M16 x 1, 5 x 35 -8.8
45	9932932391	2	SCREW, hex, M12 x 75 -8.8
46	9933932317	6	SCREW, hex, M12 x 60 -8.8

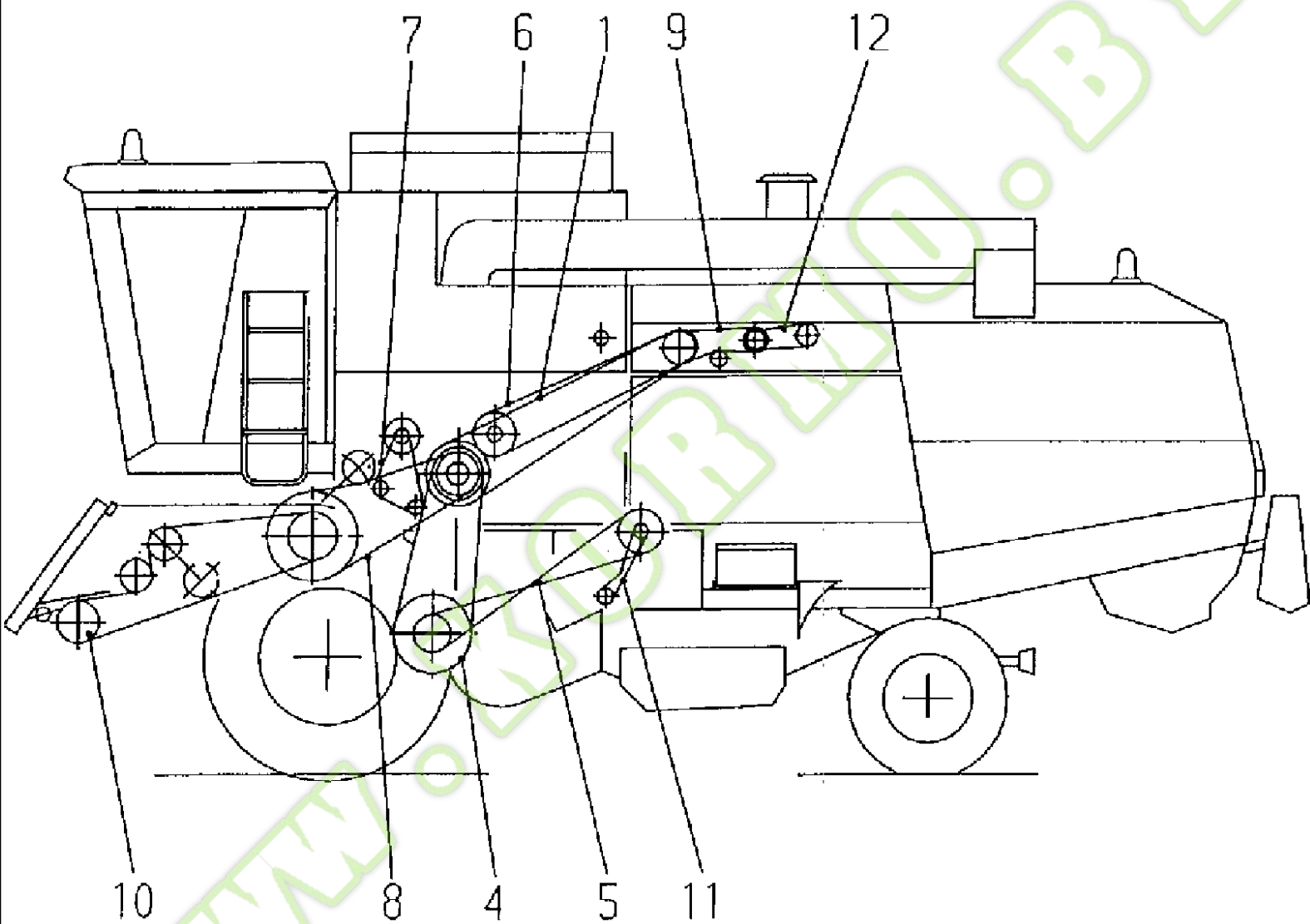
04-03 REAR BEATER-VARI-DRIVE

Ref	Part Number	Qty	Description
47	006347007	3	SCREW, hex, M12 x 45 -8.8
48	006346666	7	SCREW, hex, M12 x 30 -8.8
49	9933930331	2	SCREW, hex, M8 x 40 -8.8
50	9933929651	4	SCREW, hex, M6 x 14 -8.8
51	006281191	6	SCREW, cheese-head, M8 x 30 -8.8
52	9941934206	2	SCREW, countersunk, M6 x 16 -4.8
53	9941934214	4	SCREW, countersunk, M5 x 10 -4.8
54	9950898185	9	NUT, hex, M20 x 1.5 -05
55	006214140	6	NUT, hex, M12 -8
56	006213830	2	NUT, hex, M8 -8
58	006501557	16	WASHER, SPRING, B 12
59	9961920061	2	WASHER, SPRING, B 8
60	9961919927	2	WASHER, SPRING, B 6
61	9961924932	6	DISC, NOTCHED, toothed, J 16
62	9961911204	2	WASHER, LOCK, spring, B 12
63	9961910976	18	SPRING, WASHER lock, B 8
64	003617056	3	NIPPLE, LUBE, AM 8 x 1
65	006267144	1	NUT, hex, M20 -8
66	4260711364	1	SHIN, STRAP butt
67	006267111	2	NUT, hex, M6 -8
68	060143796	1	PULLEY, guide drum
69	060143810	1	GROOVED PULLEY, vee-belt
70	003784447	6	SCREW, cheese-head, M8 x 50 -8.8
71	060157422	1	PLATE, KNIFE GUIDE,



04-07 COUNTERSHAFT

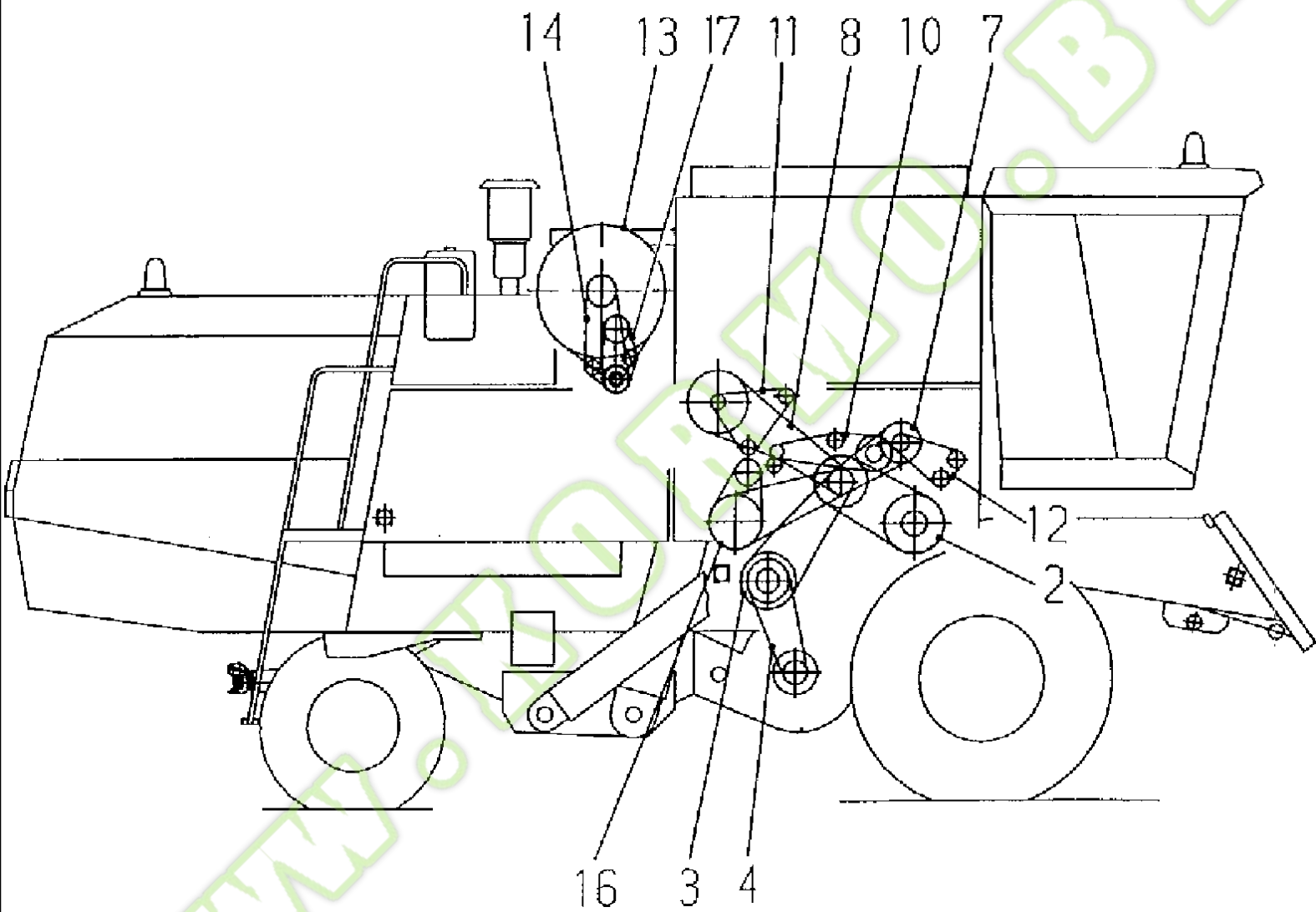
Ref	Part Number	Qty	Description
1	4260690462	1	SHAFT,
2	4260690470	1	DRIVE SPROCKET,
3	060143763	1	GROOVED PULLEY, vee-belt
4	4260690495	1	LANDSIDE, ring
5	4260690501	1	SPACER, tube
6	9902888295	2	CARRIER, BEARING, flange, FGE 207
7	9965955357	1	KEY, gib-head, 10 x 8 x 90
8	9964919434	1	DISC, end, D11 x 50
9	9967941944	1	PIN, grooved, 4 x 14
10	9962923594	1	PLATE, LOCKING, 10.5
11	9933931123	1	SCREW, hex, M10 x 30 -8.8
12	006214140	8	NUT, hex, M12 -8
13	006501557	8	WASHER, SPRING, B12
14	9920925515	1	NIPPLE, LUBE, BM8 x 1
15	4240023065	2	VANEUM GAUGE, PLUG pipe



04-09 DRIVE ELEMENTS, LEFT SIDE

Ref	Part Number	Qty	Description
1	4260699985	1	V-BELT, composite, 3HB 4475
4	4260700031	1	BELTS, SET OF 2, narrow V, 2 SPAx3000
5	060143490	1	BELT, narrow V, SPBx3600
6	4260699977	1	V-BELT, composite, 2HB 3530
7	9917903634	1	CHAIN (AGRICULTURE), roller, 12 B-1x68
8	4260703942	1	V-BELT, composite, 3HB 3350
9	4270717737	1	V-BELT, composite, 4HB 2120
10	4260715183	1	V-BELT, composite, 3HB 4060
11	060500341	1	CHAIN (AGRICULTURE), roller, 12 B-1x66 E
12	060500044	1	BELTS, SET OF 2, narrow V, 2Ax1000

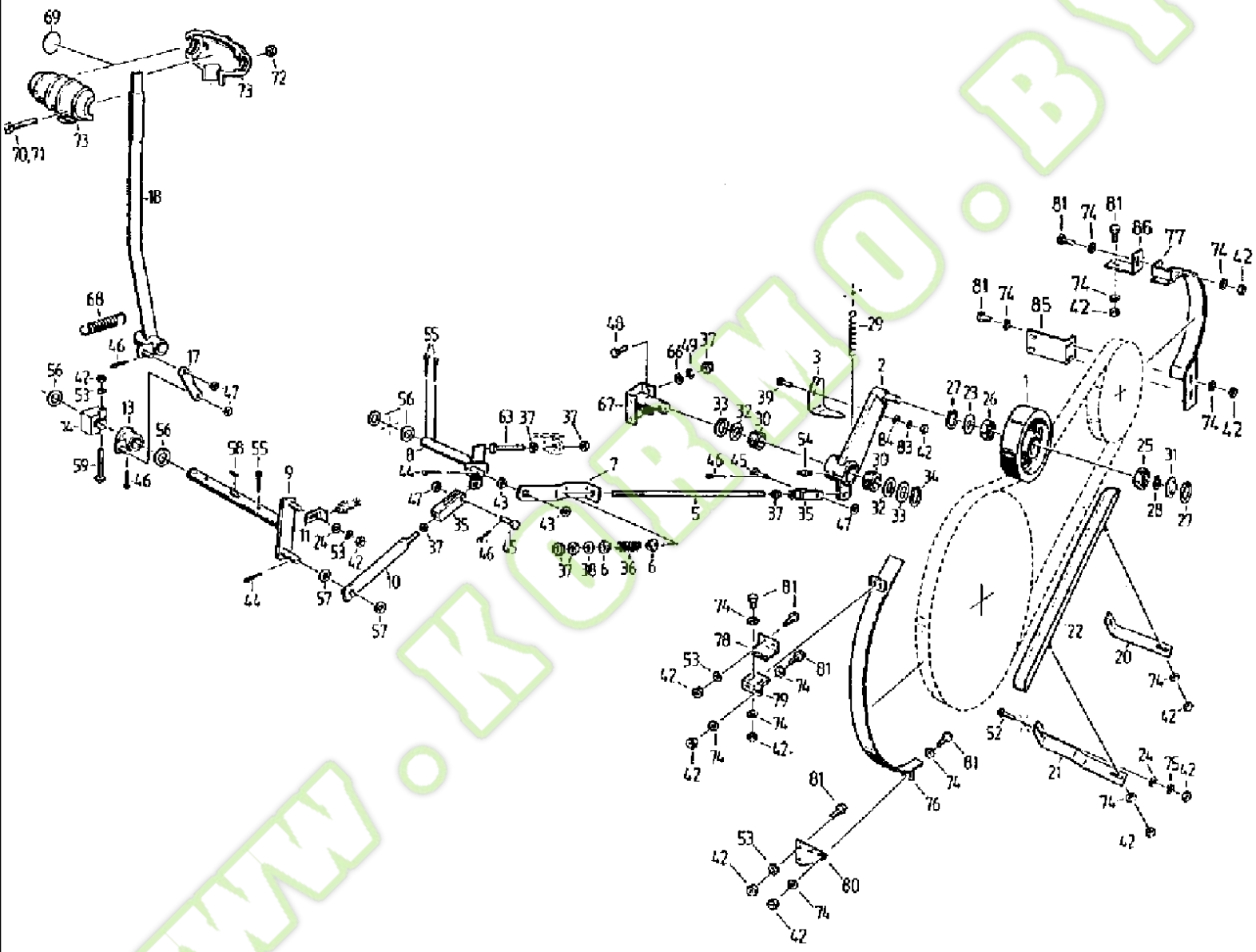
WWW.KORMO.BY



04-11 DRIVE ELEMENTS, RIGHT SIDE

Ref	Part Number	Qty	Description
2	060183586	1	BELT, wide vee, 50, 8 x 24 x 2270K
3	4240044301	1	BELT, narrow vee, SPBx2240
4	4240023354	1	BELT, wide vee, 36 x 14 x 1720
7	4260700015	1	BELT, narrow vee, SPBx2000
8	4260700023	1	BELTS, SET OF 2, narrow vee, 2SPBx2650
10	9917903505	1	CHAIN (AGRICULTURE), roller, 12 B-2 x 86 E
11	9917903683	1	CHAIN (AGRICULTURE), roller, 12 A-1 x 56 E
12	060509454	1	CHAIN (AGRICULTURE), roller, 12 A-1 x 45 L
13	060206988	1	V-BELT, 10 x 2600
14	060206963	1	BELTS, SET OF 2, narrow vee, 2SPAx1120
16	060143505	1	BELTS, SET OF 2, narrow vee, 2SPBx1900
17	060206971	1	BELTS, SET OF 2, narrow vee, 2SPAx1600

WWW.KORMO.BY

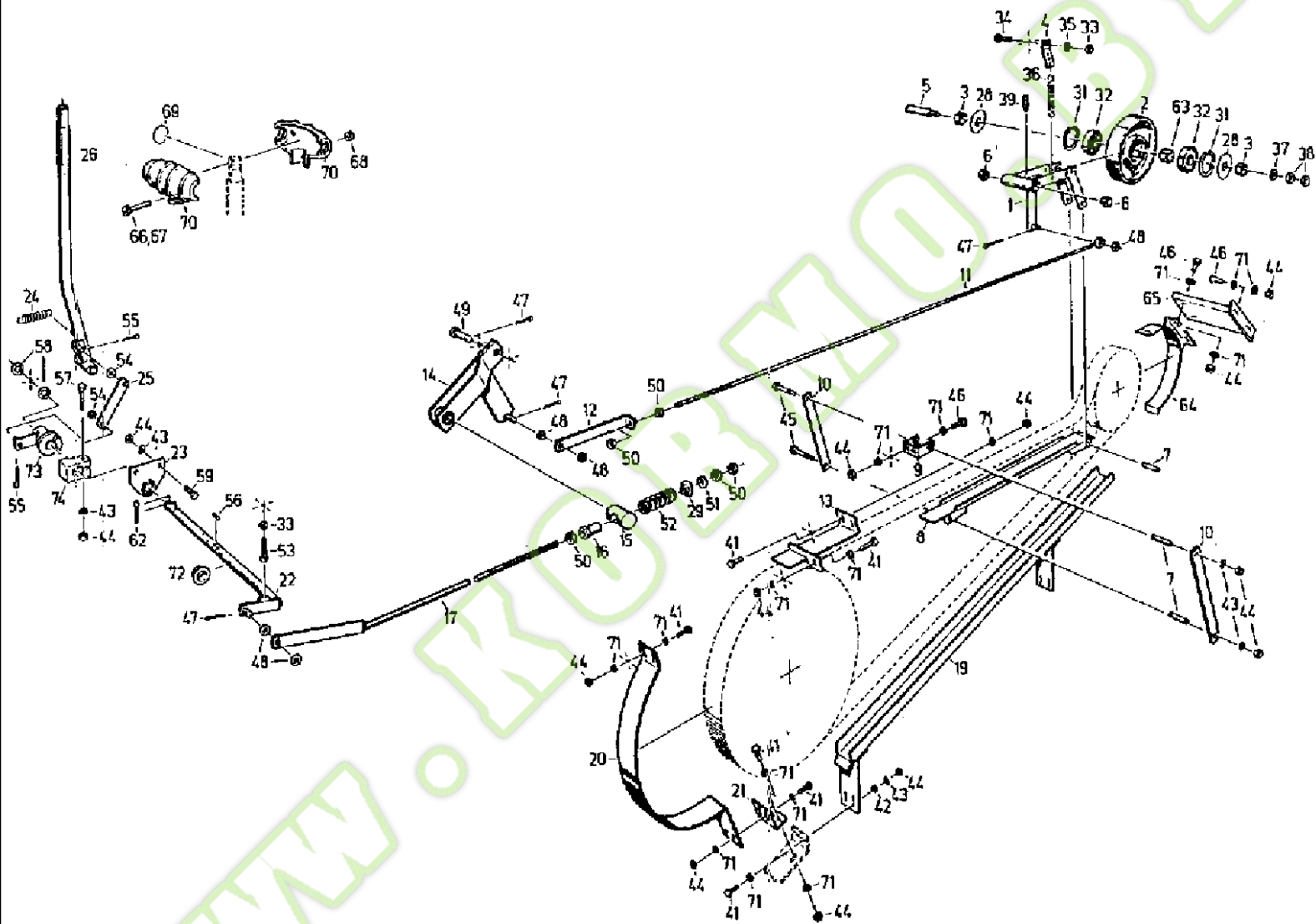


04-13 MOWER CLUTCH

Ref	Part Number	Qty	Description
1	4260696250	1	ROLLER, SHIFTER,
2	4260694601	1	LEVER, ROCKER,
3	4260696242	1	BOW,
5	4260694618	1	HOOK, BOLT through
6	4221607338	2	CUP, SPRING, retainer
7	4221607684	1	SHIN, STRAP bent
8	060196092	1	SHAFT, clutch
9	060196076	1	SHAFT, transmission
10	4260690864	1	BAR, element
11	4260691447	1	SUPPORT, ANGLE stop
13	4260690880	1	DRIVE DOG,
14	4260714510	1	CONNECTOR, TERMINAL, PIECE clamping
17	4260691422	1	FLANGE, STRAP hinged
18	060183248	1	LEVER, ASSY AND KNOB, hand
20	060143714	1	RETAINER,
21	4260700683	1	BRACKET, holder
22	060143851	1	STOP, SURFACE bearing
23	4110085640	1	SEAL WASHER,
24	4260689114	3	WASHER,
25	9902890400	1	BEARING, ball, 6204
26	9902890642	1	BEARING, ball, 6204 RS
27	9964917770	2	CIRCLIP, 47 x 1.6
28	9964917168	1	NUT, RING snap, 20 x 1.2
29	9974882685	1	SPRING, TENSION, C2, 8 x 30 x 25 Aa
30	9926868067	2	BUSHING, H 32/40x22
31	9904868931	1	COVER, 47
32	9965920861	2	SHIM, precision, 32 x 45 x 1
33	9965920925	2	SHIM, precision, 32 x 45 x 2
34	9964917223	1	CIRCLIP, 32 x 1.5
35	9969883232	2	CRADLE, head, G10 x 40
36	9973880571	1	SPRING, COMPRESSION, C 7 x 34 x 5.5
37	006213935	11	NUT, hex, M 10 -8
38	9965919240	1	WASHER, 14 x 32 x 2
39	9933930001	2	SCREW, hex, M8 x 20 -8.8
42	006213830	19	NUT, hex, M 8 -8
43	9960919237	2	WASHER, A15
44	9963950112	2	PIN, SPLIT (COTTER), 4 x 20
45	9949863072	2	PIN, LARGE, BOLT, 10 h11 x 30 x 24
46	9963949762	5	PIN, SPLIT (COTTER), 3.2 x 16
47	9960921787	5	WASHER, A 10.5
48	006343880	5	SCREW, hex, M10 x 22 -8.8
49	9961920004	2	WASHER, SPRING, B 10
52	9933959415	2	SCREW, hex, M8 x 22 -8.8
53	9961920061	7	WASHER, SPRING, B 8
54	003617056	1	NIPPLE, LUBE, AM 8 x 1

04-13 MOWER CLUTCH

Ref	Part Number	Qty	Description
55	9963950627	4	PIN, SPLIT (COTTER), 6.3 x 40
56	9960922876	4	WASHER, 26
57	9960921988	2	WASHER, A 13
58	9965956093	2	KEY, BUCKET TOOTHRT, fitting, A8 x 7 x 28
59	006334131	2	SCREW, hex, M8 x 45 -8.8
63	9933931228	1	SCREW, hex, M10 x 40 -8.8
66	9960923153	2	WASHER, 11
67	4260711733	1	SUPPORT, holder
68	9974882757	1	SPRING, TENSION, B2 x 18 x 40
69	4260709827	2	COVER,
70	9936939394	2	SCREW, cheese-head, M4 x 30 -5.8
71	9936938883	1	SCREW, cheese-head, M4 x 35 -5.8
72	9950895496	3	NUT, hex, M4 -8
73	4260709810	2	SHELL, handle
74	9999853158	22	PLATE, LOCKING, WASHER, VSF B 8
75	9999853190	1	SNAP RING, RING locking, VSK 8
76	4260707335	1	BELT, guide
77	060183787	1	PROTECTOR,
78	4260707343	1	ANGLE,
79	4260707310	1	RETAINER,
80	4260707327	1	PLATE,
81	9933929173	15	SCREW, hex, M8 x 25 -8.8
82	9999853166	1	PLATE, LOCKING, WASHER, VSF B10
83	9961910976	2	SPRING, WASHER lock, B 8
84	9960919831	4	WASHER, 9
85	060183795	1	RETAINER,
86	060183801	1	SUPPORT,

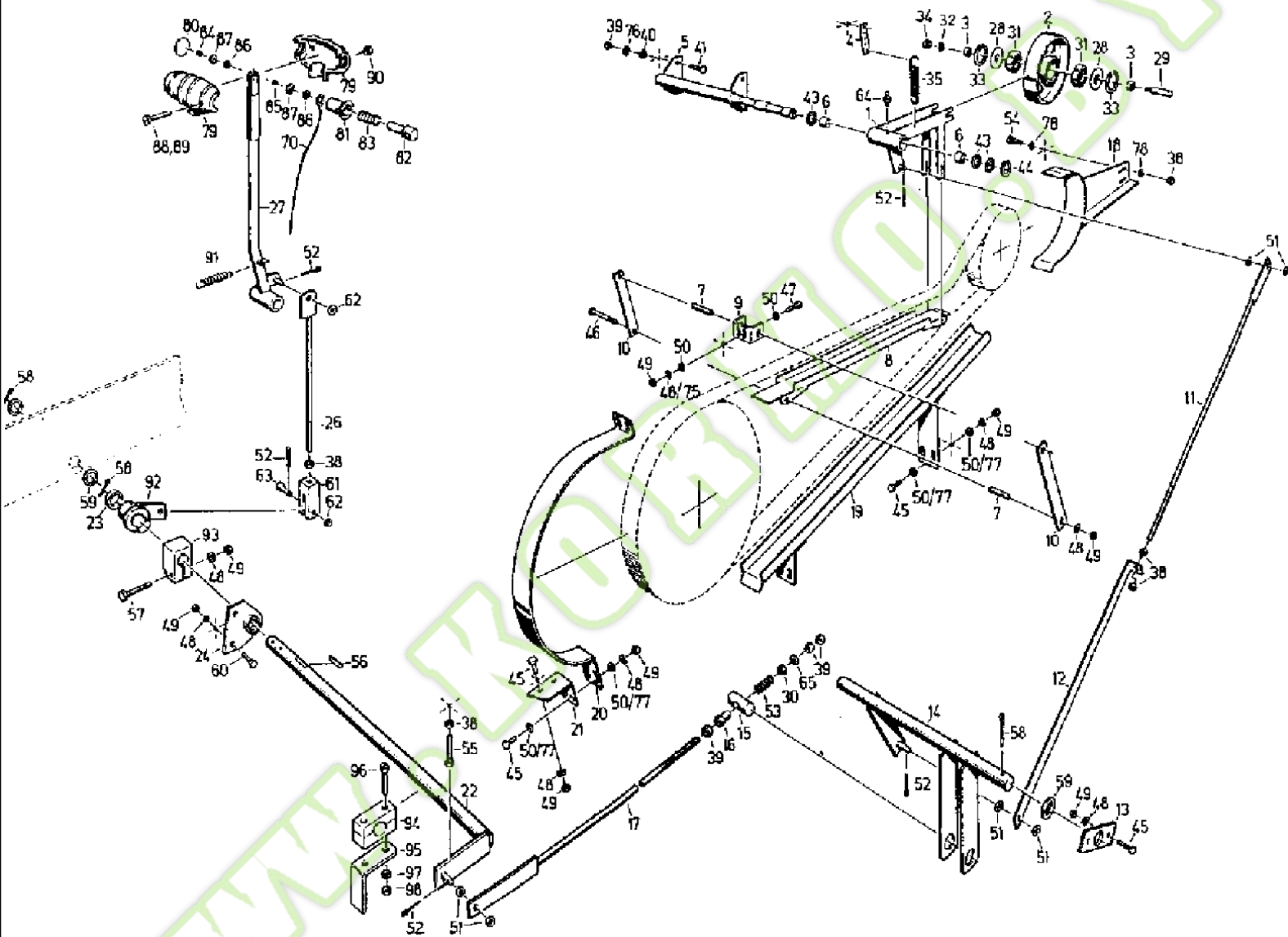


04-17 THRESHING GEAR CLUTCH

Ref	Part Number	Qty	Description
1	4250120273	1	DIPPER, LEVER pivoted
2	4240029431	1	ROLLER, SHIFTER,
3	4240029423	2	BUSHING,
4	4221607426	1	SHIN, strap
5	4240024966	1	PIN, LARGE, BOLT
6	4241021230	2	BUSHING, sliding
7	4250120240	3	SLEEVE,
8	4260694706	1	SHEET, rocker
9	4250120257	1	BEARING,
10	4260964722	2	ARM, strap
11	4260694642	1	DRAW HOOK, tow
12	4221608025	1	SHIN, strap
13	060144008	1	LANDSIDE, SURFACE bearing
14	4260694667	1	LEVER, bent
15	4240023032	1	PIN, LARGE, BOLT
16	4240035317	1	NUT,
17	4260694650	1	BAR ASSY., ROD tie
19	4260694683	1	GUIDE, belt
20	060143730	1	BOW,
21	4250128971	1	ANGLE BAR,
22	060200451	1	SHAFT, clutch, DK
23	4221605504	1	BEARING, SHIELD end
24	9974882757	1	SPRING, TENSION, C2 x 18 x 40 Aa 2
25	4260691510	1	SHIN, strap
26	060183256	1	LEVER, ASSY AND KNOB, hand, DK
28	4240023916	2	SEAL WASHER,
29	4221607338	1	CUP, SPRING, retainer
31	9964917787	2	CIRCLIP, 52 x 2
32	9902890441	1	BEARING, ball, 6205 RS
33	006213935	3	NUT, hex, M10 -8
34	006344037	1	SCREW, hex, M10 x 25 -8.8
35	9961920004	1	WASHER, SPRING, B10
36	9974881065	1	SPRING, TENSION, B5, 5 x 60 x 25 Aa
37	9960962055	1	WASHER, 18
38	006222647	2	NUT, hex, M16 x 1.5 -04
39	003617056	1	NIPPLE, LUBE, AM8 x 1
41	9933930001	2	SCREW, hex, M8 x 20 -8.8
43	9961920061	8	WASHER, SPRING, B 8
44	006213830	25	NUT, hex, M8 -8
45	9932958745	3	SCREW, hex, M8 x 90 -8.8
46	9933929173	6	SCREW, hex, M8 x 25 -8.8
47	006402361	4	PIN, SPLIT (COTTER), 4 x 25
48	9960919237	5	WASHER, A 15
49	9949864426	1	PIN, LARGE, BOLT, 16 h11 x 32 x 26
50	006214140	5	NUT, hex, M 12 -8

04-17 THRESHING GEAR CLUTCH

Ref	Part Number	Qty	Description
51	9965919240	1	WASHER, 14 x 32 x 2
52	9973880571	1	SPRING, COMPRESSION, C 7 x 34 x 5.5
53	9933931228	1	SCREW, hex, M10 x 40 -8.8
54	9960921787	2	WASHER, A10.5
55	9963950442	2	PIN, SPLIT (COTTER), 3.2 x 18
56	9965956093	1	KEY, BUCKET TOOTHRT, fitting, A8 x 7 x 28
57	9932930373	1	SCREW, hex, M8 x 45 -8.8
58	9960922876	2	WASHER, 26
59	006340781	2	SCREW, hex, M8 x 16 -8.8
62	9963950627	2	PIN, SPLIT (COTTER), 6.3 x 40
63	4240024958	1	BUSHING,
64	060143868	1	PROTECTOR,
65	4260715472	1	ADAPTER, PIECE intermediate
66	9936939394	2	SCREW, cheese-head, M4 x 30 -5.8
67	9936938883	1	SCREW, cheese-head, M4 x 35 -5.8
68	9950895496	3	NUT, hex, M4 -8
69	4260709827	2	COVER,
70	4260709810	2	SHELL, handle
71	9999853158	31	PLATE, LOCKING, WASHER, VSF B8
72	060160772	1	SHUTTER, SEAL flange
73	060183192	1	LEVER, driver
74	060183115	1	COUPLING FLANGE, PIECE securing

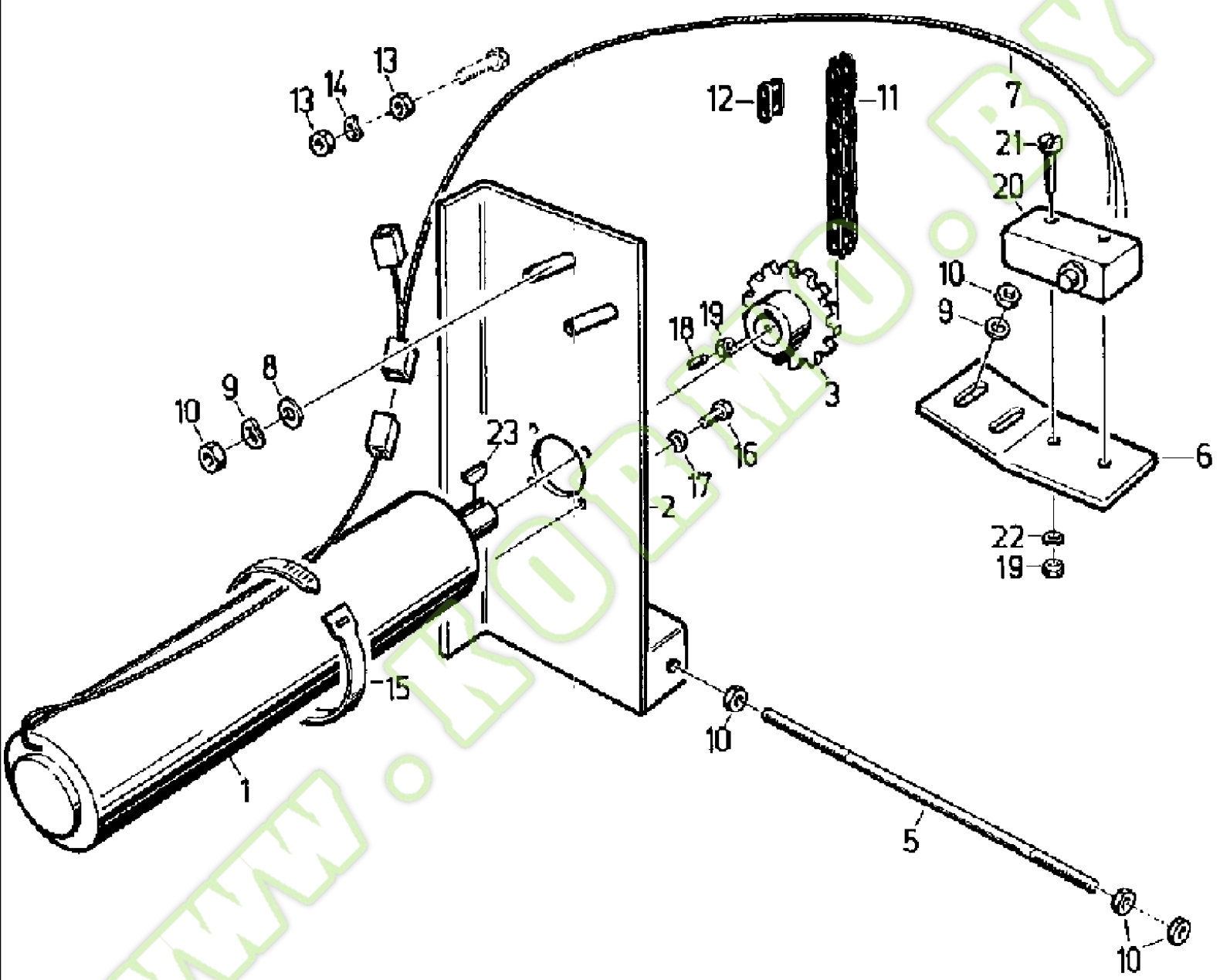


04-21 UNLOADER CLUTCH

Ref	Part Number	Qty	Description
1	4260694810	1	DIPPER, LEVER pivoted
2	4260694827	1	ROLLER, SHIFTER,
3	4240022683	2	BUSHING,
4	4221607426	1	SHIN, strap
5	4260694876	1	AXLE,
6	4241021230	2	BUSHING, sliding
7	4260694747	3	SLEEVE,
8	4260694884	1	PROTECTOR, rocker
9	4260694755	1	BEARING,
10	4260964730	2	ARM, strap
11	4260694796	1	TIE-ROD,
12	4260694802	1	BAR, STRAP bent
13	4260694763	1	BEARING, plate
14	4260694843	1	LEVER, bent
15	4240023032	1	PIN, LARGE, BOLT
16	4240035317	1	NUT,
17	4260694835	1	TIE-ROD,
18	060143915	1	PROTECTOR,
19	4260694868	1	GUIDE, belt
20	4260694771	1	BOW,
21	4260694788	1	ANGLE BAR,
22	060209660	1	SHAFT, clutch
23	060209267	1	SPACER, sleeve
24	4221605504	1	BEARING, SHIELD end
25	4260691496	1	CONNECTOR, TERMINAL, PIECE clamping
26	4260691463	1	BAR,
27	060183223	1	LEVER, ASSY AND KNOB, hand
28	4221624162	2	SEAL WASHER,
29	4250130113	1	PIN, LARGE, BOLT
30	4221607338	1	CUP, SPRING, retainer
31	9902890730	2	BEARING, ball, 6304 RS
32	9999853174	1	PLATE, LOCKING, WASHER, VSF B 12
33	9964917787	2	CIRCLIP, 52 x 2
34	006213308	1	NUT, hex, M12 x 1, 5 -8
35	9974881065	1	SPRING, TENSION, B5, 5 x 60 x 25 Aa
38	006213935	25	NUT, hex, M10 -8
39	006214140	7	NUT, hex, M12 -8
40	9964924175	4	WASHER, B13
41	006346666	4	SCREW, hex, M12 x 30 -8.8
43	9965962171	3	WASHER, 42 x 60 x 3
44	9964917264	1	CIRCLIP, 40 x 1.6
45	9933930001	12	SCREW, hex, M8 x 20 -8.8
46	9932930525	3	SCREW, hex, M8 x 75 -8.8
47	9933929173	2	SCREW, hex, M8 x 25 -8.8
48	9961920061	6	WASHER, SPRING, B 8

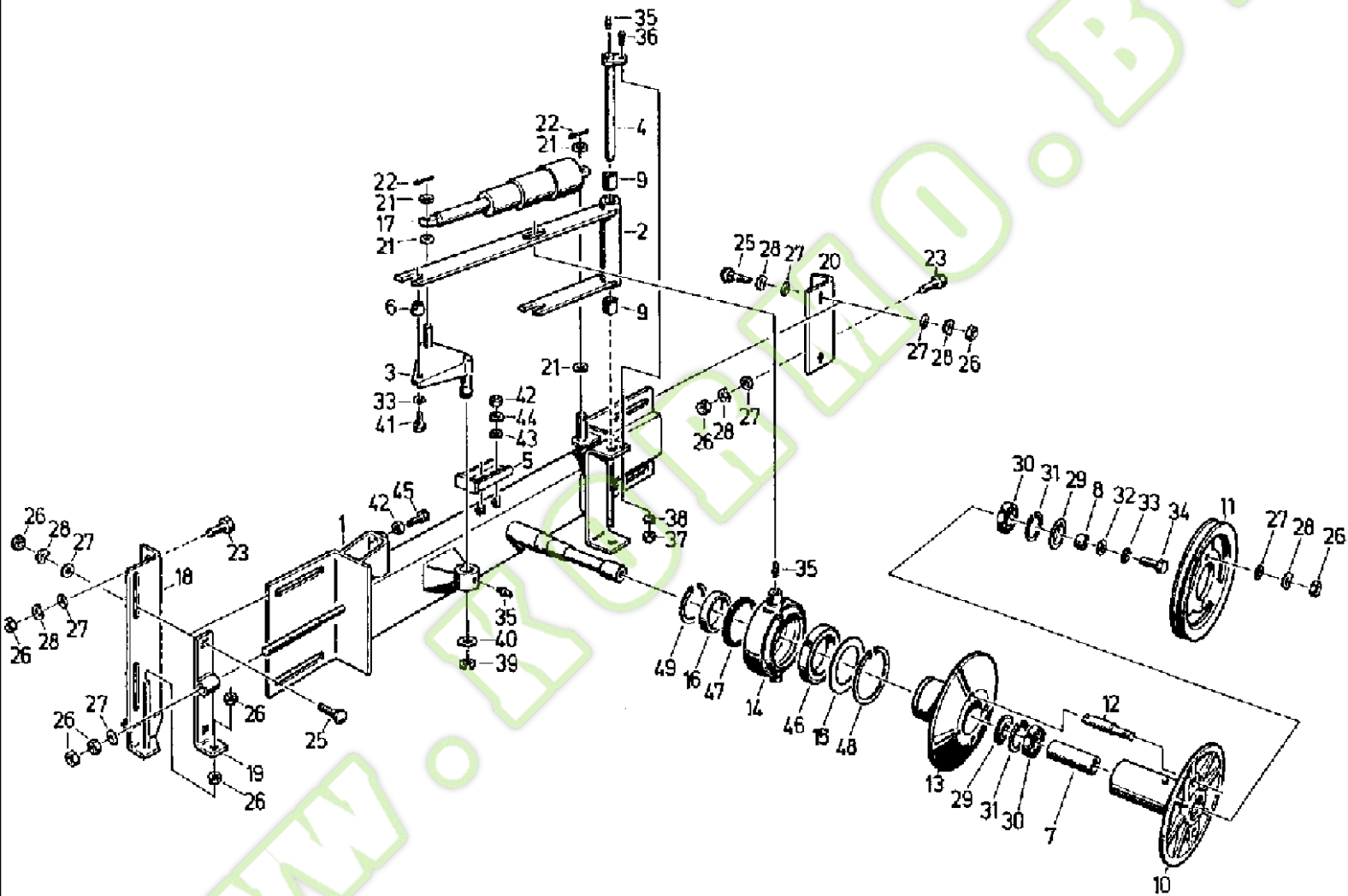
04-21 UNLOADER CLUTCH

Ref	Part Number	Qty	Description
49	006213830	20	NUT, hex, M 8 -8
50	9964962783	4	WASHER, B 8.4
51	9964962486	6	WASHER, B 10.5
52	9963950442	5	PIN, SPLIT (COTTER), 3.2 x 18
53	9973880442	1	SPRING, COMPRESSION, C 4, 5 x 32 x 7.5
54	9933931123	2	SCREW, hex, M10 x 30 -8.8
55	9933931228	1	SCREW, hex, M10 x 40 -8.8
56	9965956093	1	KEY, BUCKET TOOTHRT, fitting, A8 x 7 x 28
57	9932930373	1	SCREW, hex, M8 x 45 -8.8
58	9963950627	2	PIN, SPLIT (COTTER), 6.3 x 40
59	9960922876	2	WASHER, 26
60	006340781	2	SCREW, hex, M8 x 16 -8.8
61	9969883232	1	CRADLE, head, G10 x 40
62	9960921787	2	WASHER, A10.5
63	9949863072	1	PIN, LARGE, BOLT, 10 h11 x 30 x 24
64	003617056	1	NIPPLE, LUBE, AM 8 x 1
65	9965919240	1	WASHER, 14 x 32 x 2
70	4260695305	1	CABLE,
75	9999853190	5	SNAP RING, locking, VSK 8
76	9999853213	4	SNAP RING, locking, VSK 12
77	9999853158	16	PLATE, LOCKING, WASHER, VSF B 8
78	9999853166	4	PLATE, LOCKING, WASHER, VSF B 10
79	4260709810	2	SHELL, SHELL handle
80	4260709827	1	COVER,
81	4260713647	1	SLEEVE,
82	4260713655	1	BUTTON,
83	003790605	1	SPRING, COMPRESSION, B 0, 8 x 14 x 5.5
84	003790613	1	PIN, SCREW set, M4 x 8 -14H
85	003790621	1	PIN, SCREW set, M4 x 16
86	9961919896	2	WASHER, SPRING, B 4
87	003790638	2	NUT, hex, M4-04
88	9936939394	1	SCREW, cheese-head, M4 x 30 -5.8
89	9936938883	2	SCREW, cheese-head, M4 x 35 -5.8
90	9950895496	3	NUT, hex, M4 -8
91	9974882757	1	SPRING, TENSION, B2 x 18 x 40 Aa 2
92	060183151	1	LEVER, driver
93	060183215	1	COUPLING FLANGE, PIECE clamping
94	060508324	1	CIRCLIP, clamp, 322 PA
95	060180710	1	ANGLE BAR,
96	9937938825	2	SCREW, cheese-head, M6 x 40 -8.8
97	9999853100	2	PLATE, LOCKING, WASHER, VSFM 6
98	006213734	2	NUT, hex, M6 -8



04-27 CYLINDER CONTROL

Ref	Part Number	Qty	Description
1	4254137696	1	MOTO-REDUCTION GEAR, DC, 53 x 58 PLG 52.0
2	4260715608	1	FASTENER, support
3	4260702845	1	DRIVE SPROCKET,
5	4260715585	1	HOOK, spindle
6	060203591	1	ANGLE BAR,
7	060030601	1	LINE, lead
8	4260689114	2	WASHER,
9	9961920061	4	WASHER, SPRING, B 8
10	006213830	8	NUT, hex, M8 -8
11	003783743	1	CHAIN (AGRICULTURE), roller, 08 B- 1x77 B
12	9917905468	1	LINK, chain, E08 B-1
13	006213734	2	NUT, hex, M6 -8
14	9961919927	1	WASHER, SPRING, B 6
15	9019973091	1	NO DESCRIPTION, BAND cable, 280 lg.
16	9933928980	4	SCREW, hex, M5 x 12 -8.8
17	9961919902	4	WASHER, SPRING, B 5
18	9947940311	1	PIN, SCREW set, M4 x 10 -14H
19	9950895496	3	NUT, hex, M4 -8
20	9019974252	1	INDICATOR, microswitch, B1.D 1
21	9936938955	2	SCREW, cheese-head, M4 x 25 -5.8
22	9961919896	2	WASHER, SPRING, B 4
23	060153170	1	SPRING, KEY woodruff, 4 x 6.5



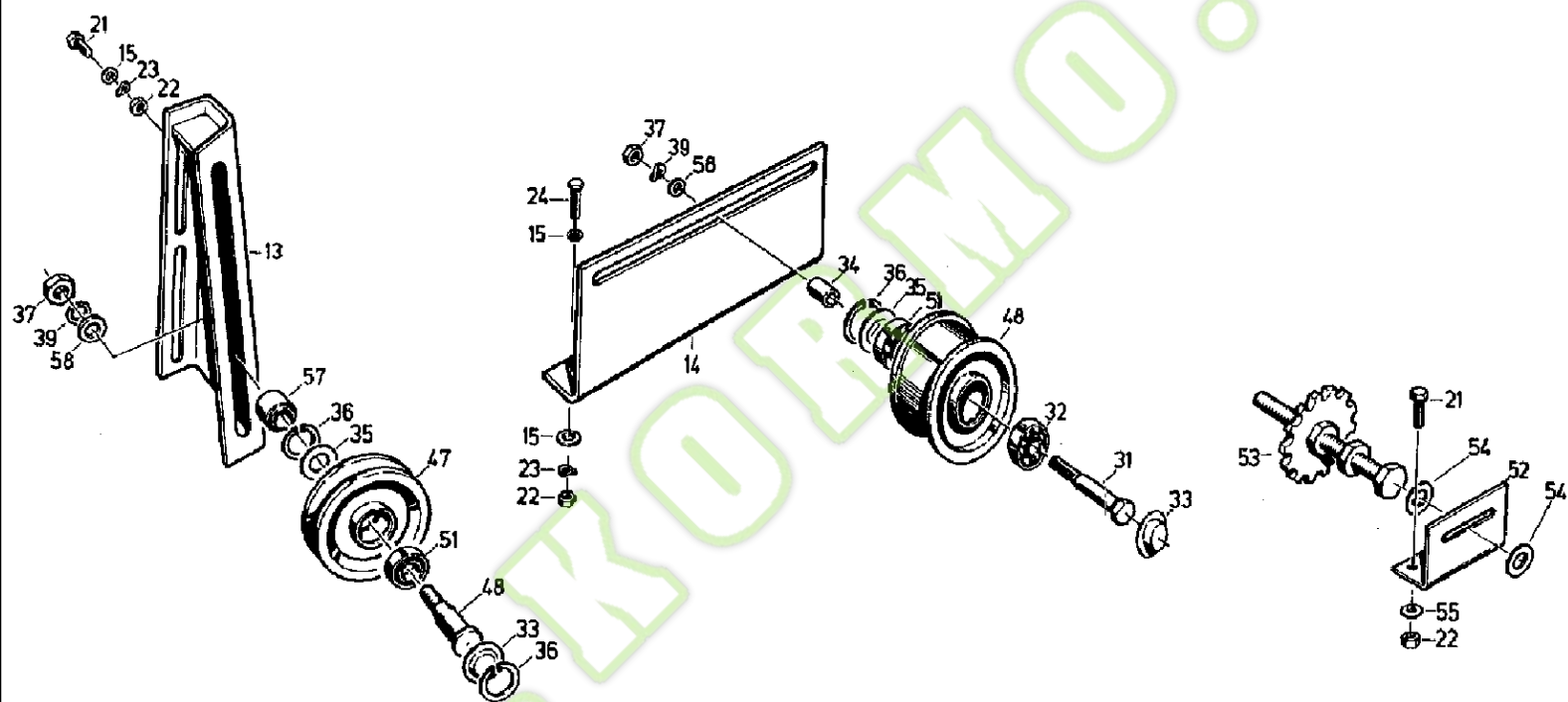
04-29 BLOWER CONTROL

Ref	Part Number	Qty	Description
1	4260714857	1	SUPPORT, BASE bearing
2	4260714865	1	CLEVIS,
3	4260714873	1	LEVER, bent
4	4260714881	1	AXLE,
5	060092630	1	STOP,
6	4260714898	1	SHAFT, CROSS, PIN driver
7	4260692874	1	SPACER, tube
8	4240029423	1	BUSHING,
9	4223649031	2	BUSHING,
10	4260692882	1	FLANGE, WASHER
11	060143980	1	GROOVED PULLEY, vee-belt
12	4260702853	2	PIN, LARGE, BOLT
13	4260692905	1	DISC, PULLEY regulating
14	4260692913	1	HOUSING, BEARING,
15	4260692921	1	SEAL WASHER,
16	4260692938	1	SLIP-RING MOTOR,
17	060533470	1	CYLINDER ASSY., DRIVE spindle
18	4260714816	1	ANGLE, tensioning
19	4260714832	1	SHIN, tensioner
20	4260714840	1	ANGLE BAR,
21	9960921988	4	WASHER, A 13
22	006402361	2	PIN, SPLIT (COTTER), 4 x 25
23	006346666	4	SCREW, hex, M12 x 30 -8.8
25	9945926428	6	SCREW, round-head, M12 x 30 -8.8
26	006214140	14	NUT, hex, M12 -8
27	4250132814	11	WASHER,
28	006501557	10	WASHER, SPRING, B 12
29	4240023916	2	SEAL WASHER,
30	9902890433	2	BEARING, ball, 6205
31	9964917787	2	CIRCLIP, 52 x 2
32	9964965183	1	DISC, end, C11 x 32
33	9961924491	3	DISC, NOTCHED, toothed, A10.5
34	006344037	1	SCREW, hex, M10 x 25 -8.8
35	003617056	4	NIPPLE, LUBE, AM8 x 1
36	9933930001	1	SCREW, hex, M8 x 20 -8.8
37	006213830	1	NUT, hex, M8 -8
38	9961920061	1	WASHER, SPRING, B 8
39	9964917088	1	CIRCLIP, 24 x 1.2
40	9960962930	1	WASHER, A 25
41	006343880	1	SCREW, hex, M10 x 22 -8.8
42	006213935	3	NUT, hex, M10 -8
43	4260689114	1	WASHER,
44	9961920004	2	WASHER, SPRING, B 10
45	9933931308	1	SCREW, hex, M10 x 45 -8.8
46	9902892765	1	BEARING, ball, 6016 RS

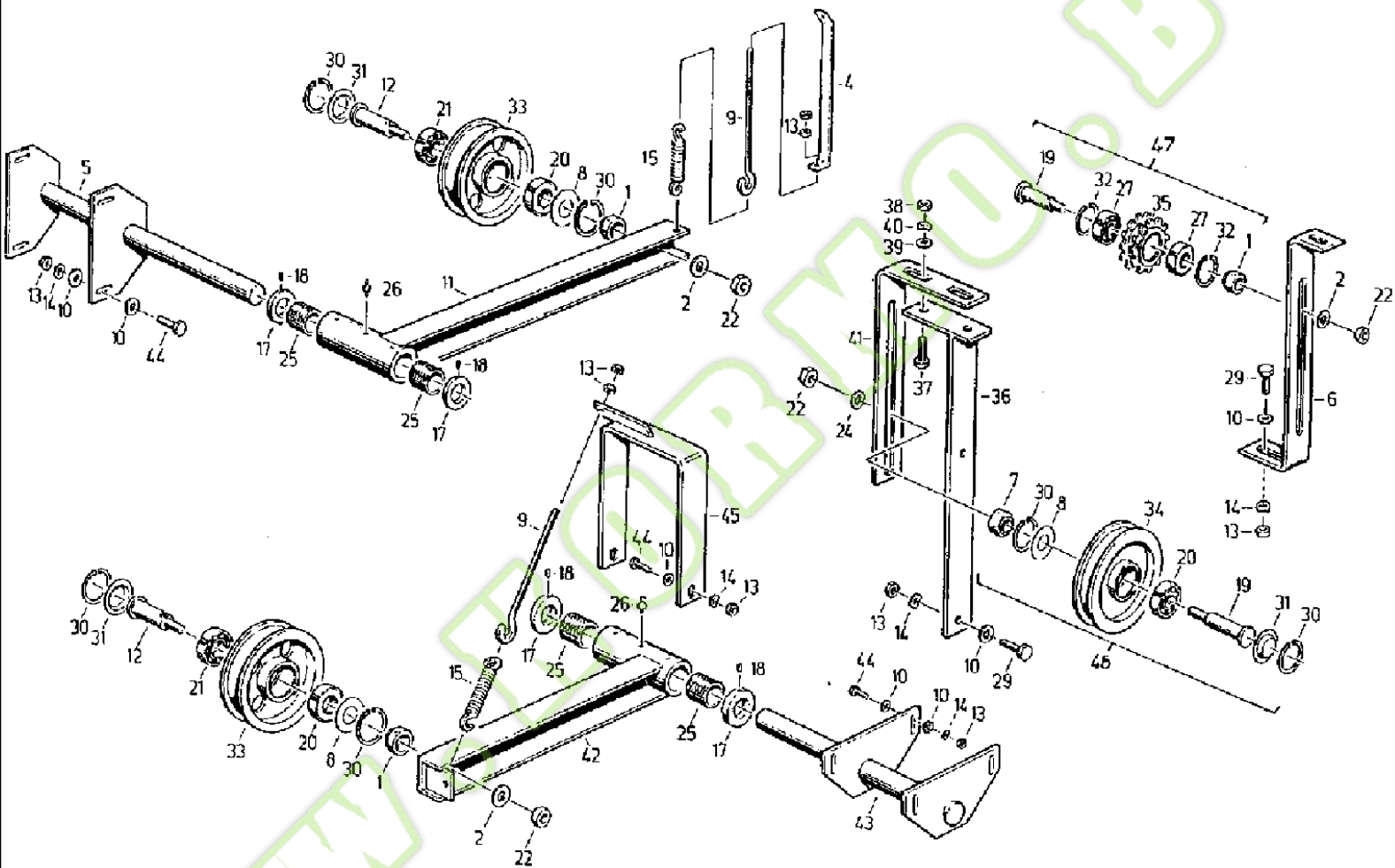
04-29 BLOWER CONTROL

Ref	Part Number	Qty	Description
47	9905872148	1	BUSHING, LARGE, SEAL shaft, D90 x 120 x 10
48	9964917633	1	CIRCLIP, 125 x 4
49	9964917408	1	CIRCLIP, 80 x 2.5

WWW.KORMO.BY

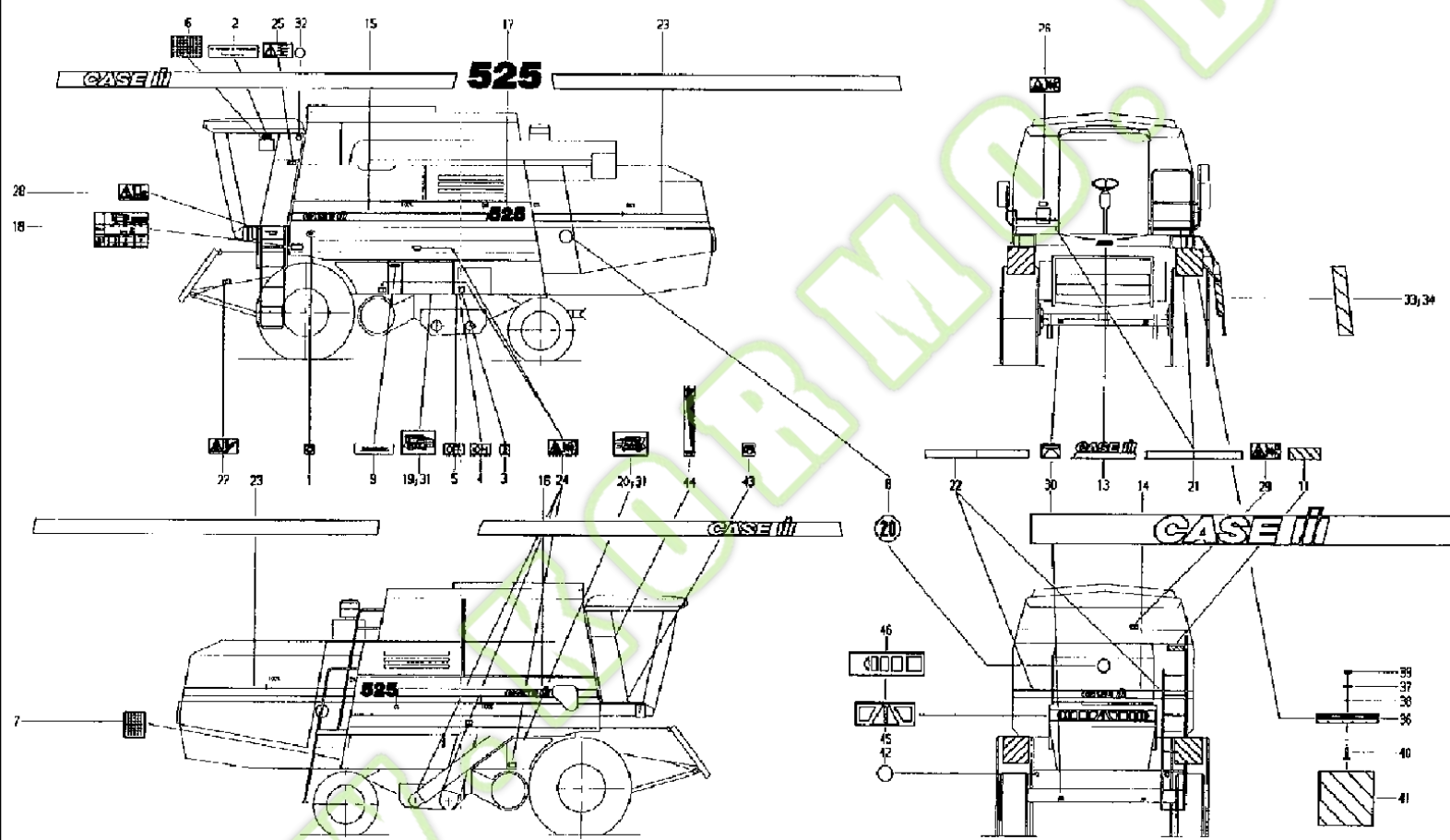


Ref	Part Number	Qty	Description
13	060121075	1	BRACKET,
14	4260696017	1	BAR, tensioning
15	4221620616	6	WASHER,
18	9950896310	2	NUT, hex, M10 -8
21	006344037	4	SCREW, hex, M10 x 25 -8.8
22	006213935	6	NUT, hex, M10 -8
23	9961920004	4	WASHER, SPRING, B 10
24	9933931123	2	SCREW, hex, M10 x 30 -8.8
31	4240022675	1	AXLE,
32	9902890400	1	BEARING, ball, 6204
33	9904868931	2	COVER, 47
34	4240022683	1	BUSHING,
35	4110085640	2	SEAL WASHER,
36	9964917770	3	CIRCLIP, 47 x 1.6
37	006214140	6	NUT, hex, M12 -8
39	9961911204	2	WASHER, LOCK, spring, B12
43	9932959385	2	SCREW, hex, M12 x 80 -8.8
47	060160893	1	ROLLER, SHIFTER,
48	4240028190	1	ROLLER, SHIFTER, TENSIONER vee-belt
51	9902890642	2	BEARING, ball, 6204 RS
56	9949865572	1	PIN, LARGE, BOLT
57	4250125220	1	BUSHING,
58	9960922031	2	WASHER, 14



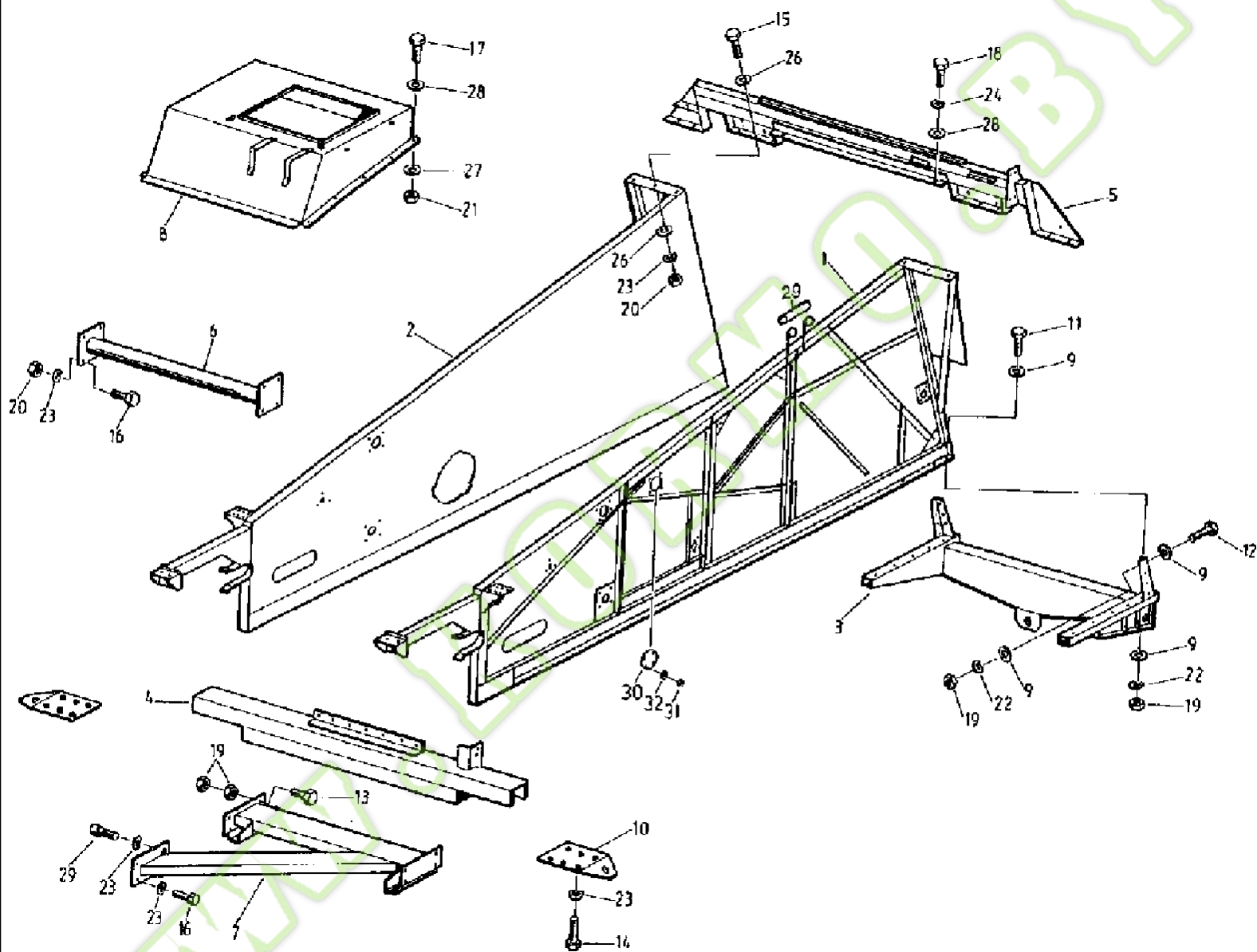
04-35 IDLER PULLEYS, RIGHT

Ref	Part Number	Qty	Description
1	4240022683	3	BUSHING,
2	9999853174	4	PLATE, LOCKING, WASHER, VSF B 12
4	060143634	1	SHIN, STIRRUP folding
5	060143546	1	BEARING,
6	4260696074	1	RAIL,
7	4250125220	1	BUSHING,
8	4110085640	3	SEAL WASHER,
9	4250131942	2	SCREW, eye
10	4260689114	21	WASHER,
11	060143521	1	DIPPER, lever
12	4240022675	2	AXLE,
13	006213830	17	NUT, hex, M 8 -8
14	9961920061	13	WASHER, SPRING, B 8
15	9974880964	2	SPRING, TENSION, A3, 2 x 22 x 25 Aa-1
17	060525341	4	RING, LOCKING, adjusting
18	003784502	4	PIN, SCREW set, M8 x 10 -45H
19	9949865572	2	PIN, LARGE, BOLT, 65
20	9902890642	3	BEARING, ball, 6204 RS
21	9902890400	2	BEARING, ball, 6204
22	006214140	4	NUT, hex, M12 -8
25	4241042403	4	BUSHING,
26	003617056	2	NIPPLE, LUBE, AM8 x 1
27	9902892781	2	BEARING, ball, 6004 RS
29	9933929973	5	SCREW, hex, M8 x 25 -8.8
30	9964917770	6	CIRCLIP, 47 x 1.6
31	9904868931	3	COVER, 47
32	9964917746	2	CIRCLIP, 42 x 1.6
33	4221607780	2	ROLLER, SHIFTER,
34	4250125212	1	ROLLER, SHIFTER,
35	4260696066	1	DRIVE SPROCKET,
36	4260609601	1	support
37	9933931180	2	SCREW, hex, M10 x 35 -8.8
38	006213935	2	NUT, hex, M10 -8
39	4221620616	2	WASHER,
40	9961920004	2	WASHER, SPRING, B 10
41	4260696058	1	BAIL, BOW tensioning
42	060143587	1	DIPPER, lever
43	060143618	1	BEARING,
44	9933930001	10	SCREW, hex, M8 x 20 -8.8
45	060143642	1	BOW,
46	020797274	1	TIGHTENER SHEAVE, pulley
47	060067533	1	IDLER, FRONT, TENSIONER chain



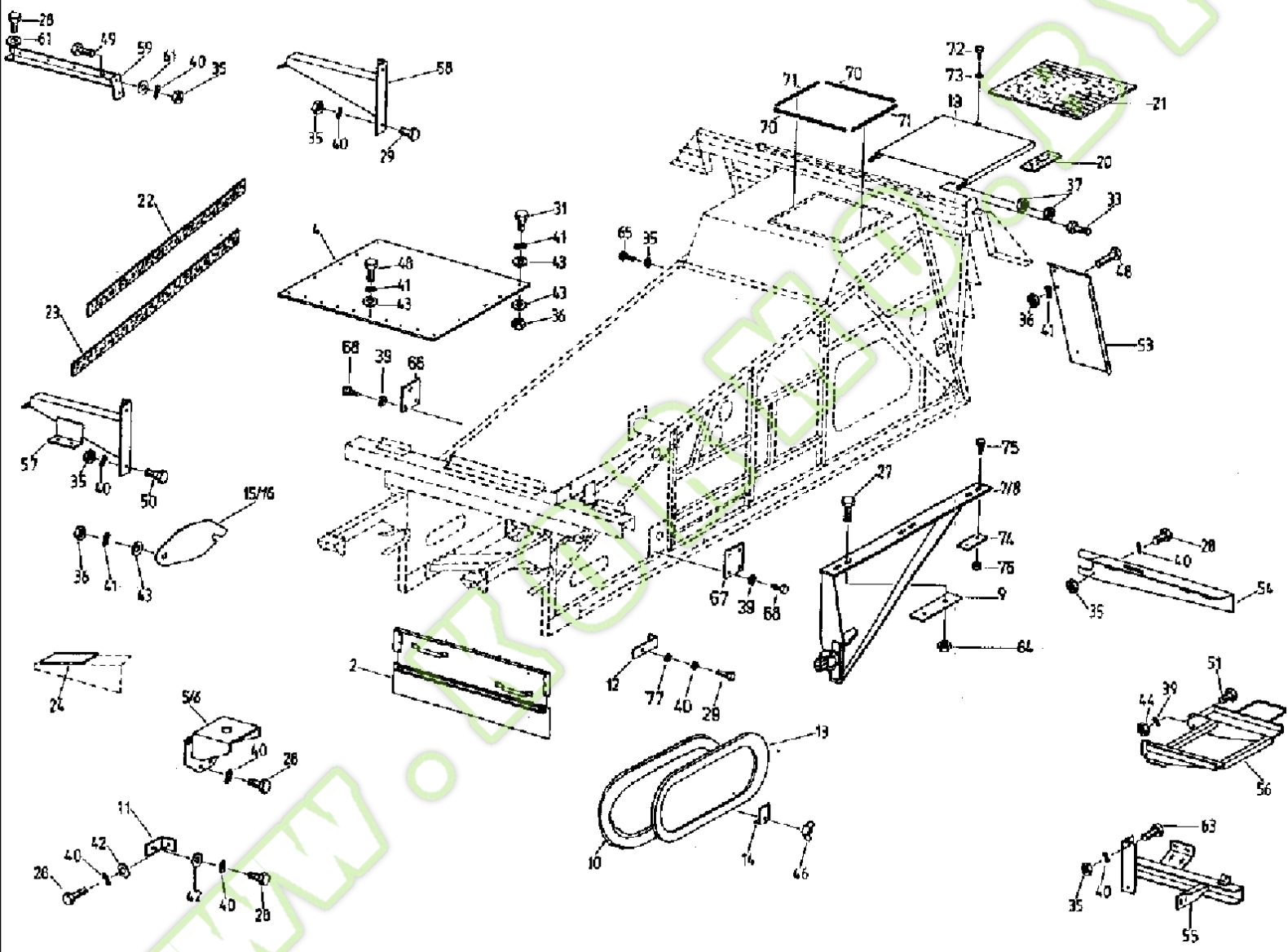
05-03 SYMBOLS

Ref	Part Number	Qty	Description
1	4250131202	1	PRODUCT GRAPHIC, LABEL adhesive, KV
2	4250132992	1	PRODUCT GRAPHIC, LABEL adhesive
3	4254135918	1	DECAL, LABEL adhesive
4	4260711411	1	DECAL, LABEL adhesive -ON-
5	4260711428	1	DECAL, LABEL adhesive-OFF-
6	060180807	1	CALCULATOR, TABLE adjusting, 525
7	060196494	1	DECAL, TABLE adjusting
8	060000202	3	DECAL, plate
9	060168394	1	ADHESIVE, SIGN information
11	4260703950	1	PRODUCT GRAPHIC,
13	061052446	1	EMBLEM CASE/IH, symbol
14	060205431	1	MAKERS BADGE, symbol
15	060205456	1	DECAL, f
16	060205464	1	DECAL, g
17	060205472	2	DECAL, 525
18	060180815	1	DECAL, tire pressure
19	060201292	1	DECAL, lubricating chart
20	061031433	1	PRODUCT GRAPHIC, lubricating chart
21	061052462	1	STRIP,
22	061052470	1	PRODUCT GRAPHIC, strip
23	060205448	2	STRIP,
24	060506652	6	DECAL, Nr. 21
25	060506660	1	DECAL, Nr. 1
26	060506677	1	ADHESIVE, Nr. 15
27	060508381	2	PRODUCT GRAPHIC, Nr. 11
28	060508404	1	DECAL, Nr. 37
29	060510511	1	DECAL, Nr. 16
30	4221600067	4	DECAL, sliding shield
31	4221600083	83	PRODUCT GRAPHIC, sliding shield
32	4240050123	1	DECAL, prohibition sign
33	4260706672	1	DECAL, strip of foil
34	4260706680	1	DECAL, strip of foil
36	060203710	2	HINGE,
37	9961919927	18	WASHER, SPRING, B 6
38	9964963985	14	WASHER, A 6.4
39	006213734	18	NUT, hex, M6 -8
40	006338385	18	SCREW, hex, M6 x 16 -8.8
41	060526254	4	TAG, CONSOLE warning
42	060527271	2	REFLECTOR, rear
43	061052671	1	SYMBOLS,
44	061052688	1	DECAL,
45	060000083	1	PRODUCT GRAPHIC, safety signs
46	061013681	2	DECAL, safety signs



05-07 FRAME

Ref	Part Number	Qty	Description
1	060143265	1	SIDE-PLATE, wall, f
2	060143361	1	SIDE-PLATE, wall, g
3	060172108	1	SUPPORT, AXLE steered
4	4260700320	1	CARRIER, MEMBER cross
5	4260700337	1	BRIDGE,
6	060143433	1	CROSSBAR,
7	060203663	1	CROSSBAR, connection
8	4260700361	1	HOOD, shaker
9	4221602872	30	WASHER,
10	4260700378	2	SUPPORT, back rest
11	9932959385	9	SCREW, hex, M12 x 80 -8.8
12	9933932028	6	SCREW, hex, M12 x 35 -8.8
13	006346666	8	SCREW, hex, M12 x 30 -8.8
14	9933931123	12	SCREW, hex, M10 x 30 -8.8
15	006344037	6	SCREW, hex, M10 x 25 -8.8
16	006343880	12	SCREW, hex, M10 x 22 -8.8
17	9933930001	8	SCREW, hex, M8 x 20 -8.8
18	006340781	7	SCREW, hex, M8 x 16 -8.8
19	9950896310	31	NUT, hex, M12 -10
20	006213935	14	NUT, hex, M10 -8
21	006213830	8	NUT, hex, M8 -8
22	006501557	15	WASHER, SPRING, B 12
23	9961920004	30	WASHER, SPRING, B 10
24	9961920061	15	WASHER, SPRING, B 8
26	9964962486	12	WASHER, B10.5
27	9964962783	8	WASHER, B8.4
28	9961921681	15	WASHER, R9
29	061013745	2	FITTING, HOSE

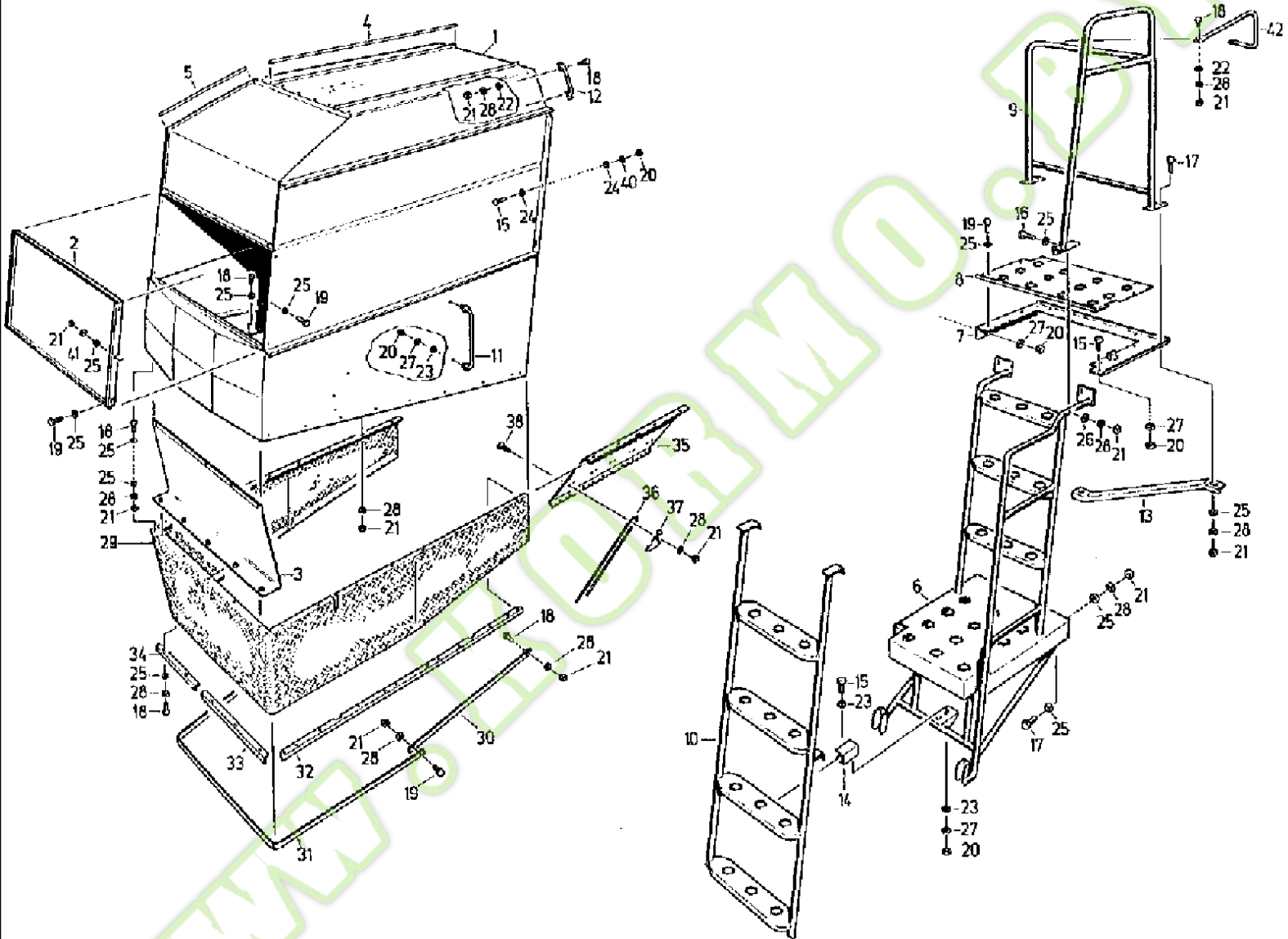


05-09 MOUNTING PARTS, FRAME

Ref	Part Number	Qty	Description
2	4260700103	1	FLAP, cylinder
3	060143240	1	COVER,
4	4260700128	1	PANEL, PLATE cover
5	4260700136	1	BEARING, f
6	4260700144	1	BEARING, g
7	060180204	1	SUPPORT, BASE bearing, f
8	060180212	1	SUPPORT, BASE bearing, g
9	060180591	4	BLOCK,
10	060205511	2	GASKET,
11	4260700193	2	SHIN, strap
12	060143417	2	BLANK-OFF PLUG, lock
13	4221602768	2	COVER,
14	4221602776	6	CLAMP, terminal
15	4221602960	1	COVER, f
16	4221602977	1	COVER, g
19	4260700232	1	COVER,
20	4221603551	2	STOP, SURFACE bearing
21	4260700240	1	MAT, rubber
22	4260700257	1	BAND, strip
23	4260700265	1	BAND, strip
24	4260700273	2	STOP, SURFACE bearing
27	9999850887	10	SCREW, Verbus, M12 x 35-100 W 158.12
28	9933929065	15	SCREW, hex, M10 x 20 -8.8
29	006343880	4	SCREW, hex, M10 x 22 -8.8
31	9933930001	6	SCREW, hex, M8 x 20 -8.8
33	9930977163	2	SCREW, hex, M6 x 20 -8.8
35	006213935	5	NUT, hex, M10 -8
36	006213830	10	NUT, hex, M8 -8
37	006213734	4	NUT, hex, M6 -8
39	006501557	11	WASHER, SPRING, B 12
40	9961920004	25	WASHER, SPRING, B 10
41	9961920061	17	WASHER, SPRING, B 8
42	9964962486	4	WASHER, B 10.5
43	9964962783	22	WASHER, B 8.4
44	9950896310	4	NUT, hex, M12 -10
45	9960921787	2	WASHER, A10.5
46	9951893790	6	NUT, WING, M 8
48	9933929803	10	SCREW, hex, M8 x 14 -8.8
49	006344037	2	SCREW, hex, M10 x 25 -8.8
50	9933931123	2	SCREW, hex, M10 x 30 -8.8
51	9933978081	4	SCREW, hex, M12 x 22 -10.9
53	4260706978	1	COVER, PROTECTIVE,
54	4260707593	1	ARM,
55	4260702974	1	ARM, supporting
56	4260702982	1	FRAME,

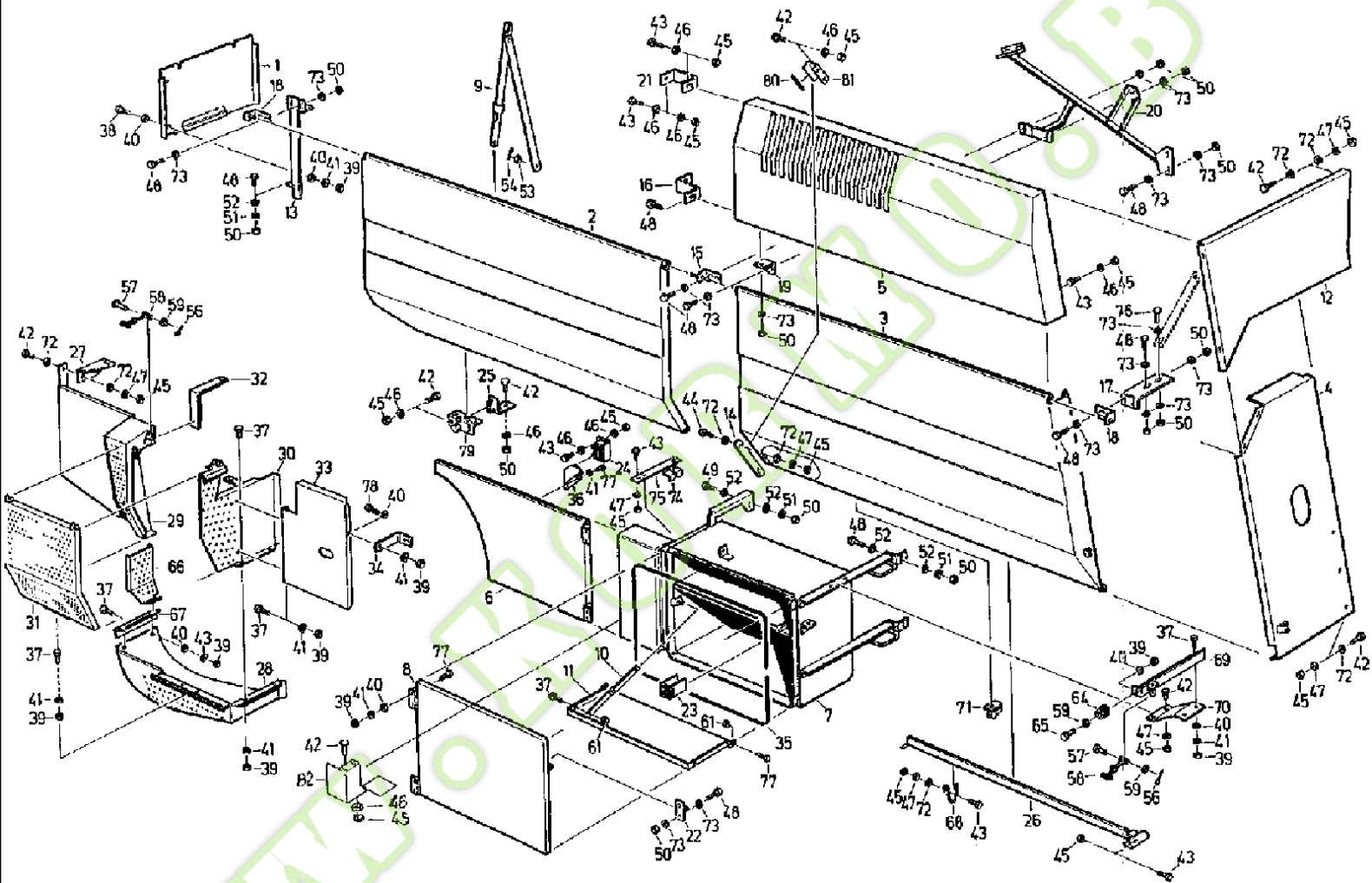
05-09 MOUNTING PARTS, FRAME

Ref	Part Number	Qty	Description
59	4260703018	1	ARM,
60	060196381	1	SUPPORT, BRACKET side
61	4221620616	3	WASHER,
63	9937985317	2	SCREW, cheese-head, M10 x 22 -10.9
64	9999850895	10	NUT, Verbus, M12 -10
65	9933930887	2	SCREW, hex, M10 x 16 -8.8
66	4270718473	1	COVER, PROTECTIVE,
67	060141962	1	PANEL, PLATE cover
68	006346408	7	SCREW, hex, M12 x 20 -8.8
70	060182938	2	SEAL, profile
71	060182946	2	SEAL, profile
72	006338385	1	SCREW, hex, M6 x 16 -8.8
73	006576010	1	WASHER, locking, VSF M 6
74	060180792	2	BLOCK,
75	9999850766	2	SCREW, Verbus
76	9999850782	2	NUT, Verbus, M16 -10
77	006510285	2	WASHER, B10.5
78	061027574	1	TANK, support
79	006346666	8	SCREW, hex, M12 x 30 -8.8
80	006576084	8	WASHER, locking, VSF B 12
81	006214140	8	NUT, hex, M12-8
82	006344037	1	SCREW, hex, M10 x 25 -8.8
83	006576076	1	WASHER, locking, VSF B 10
84	006213935	1	NUT, hex, M10-8
85	006346787	2	SCREW, hex, M10 x 35 -8.8



05-13 OUTLET HOOD, REAR LADDER

Ref	Part Number	Qty	Description
1	4260695860	1	COWL, hood
2	4260695877	1	FLAP, rear panel
3	4260706535	1	COVER, PROTECTIVE,
4	060153347	2	STRIP, PROTECTION, edge
5	060153355	2	STRIP, PROTECTION, edge
6	4260706793	1	LADDER, part
7	4260701450	1	FRAME,
8	4260701225	1	STEP, footboard
9	4260695916	1	GRIP,
10	4260706808	1	LADDER,
11	4260706816	1	RAMP, RAIL hand
12	4260695924	1	GRIP,
13	4260701233	1	ANGLE BAR,
14	4032804250	1	BLANK-OFF PLUG, lock
15	006344037	16	SCREW, hex, M10 x 25 -8.8
16	006334131	1	SCREW, hex, M8 x 45 -8.8
17	9933929173	6	SCREW, hex, M8 x 25 -8.8
18	9933930001	33	SCREW, hex, M8 x 20 -8.8
19	9933929715	18	SCREW, hex, M8 x 18 -8.8
20	006213935	18	NUT, hex, M10 -8
21	006213830	20	NUT, hex, M8 -8
22	4260689114	13	WASHER,
23	9964962486	12	WASHER, B10.5
24	4221620616	28	WASHER,
25	9964962783	23	WASHER, B8.4
26	9960919831	1	WASHER, 9
27	9961920004	4	WASHER, SPRING, B10
28	9961920061	39	WASHER, SPRING, B8
29	060206586	1	CANVAS,
30	4260696187	2	RAIL,
31	4254121728	1	BOW,
32	4260696195	2	ANGLE BAR,
33	4260696201	1	ANGLE BAR,
34	4260707263	1	ANGLE BAR,
35	4260696162	1	PROTECTION PLATE, chute
36	4254122962	5	SPRING, forked
37	4254122954	5	FASTENER,
38	9938927991	5	SCREW, mushroom-head, M8 x 20 -5.8
40	9999853205	14	SNAP RING, locking, VSK 10
41	9999853190	8	SNAP RING, locking, VSK 8
42	060154774	1	GRAB RAIL, hand

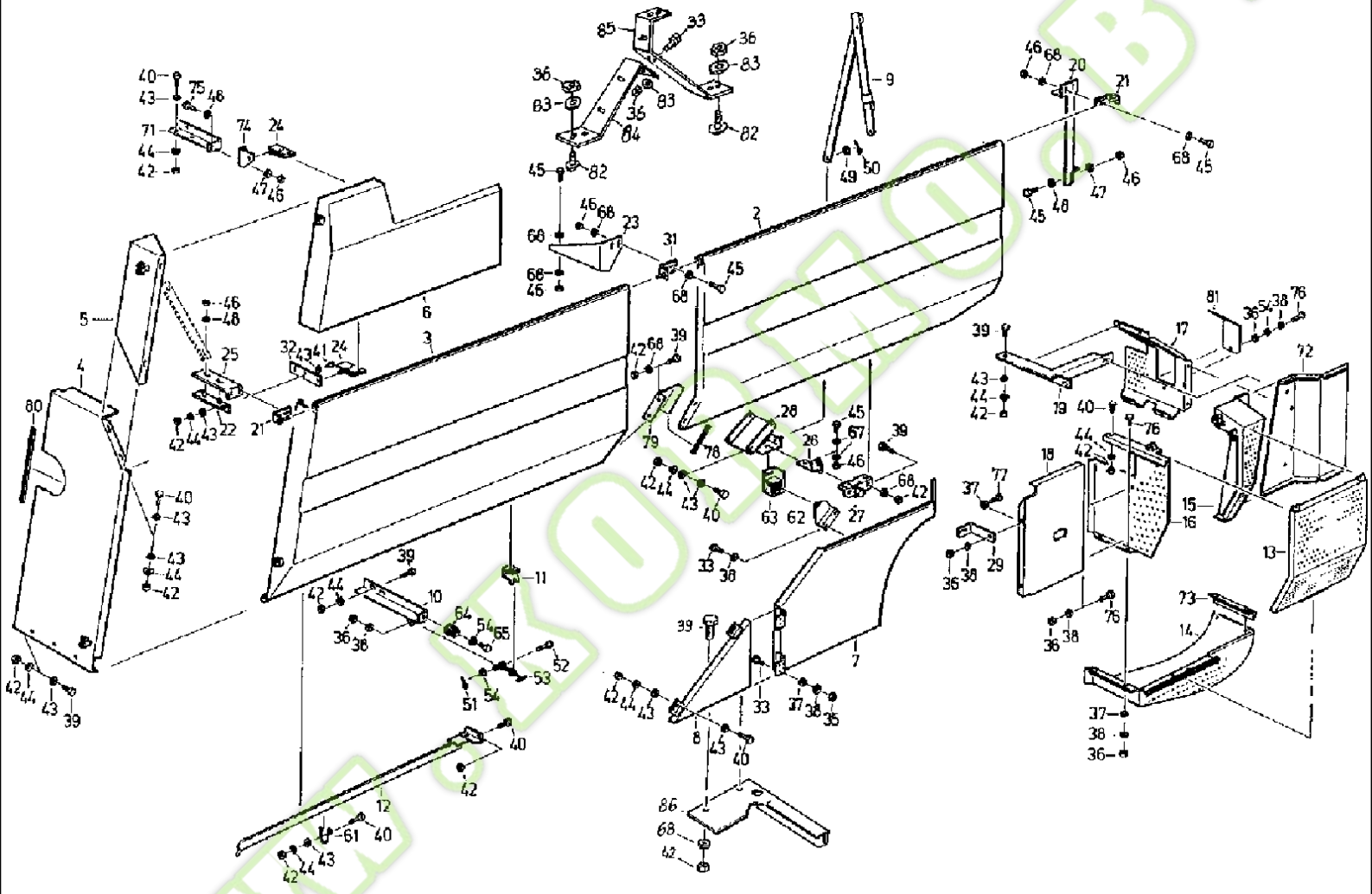


05-17 COWLING, LEFT

Ref	Part Number	Qty	Description
1	4260695475	1	PARTITION, front
2	4260695483	1	FLAP, hinged side
3	060152684	1	PLATE,SIDE, side panel
4	060069262	1	COVER, REAR, panel
5	060152651	1	SHROUD ASSY., ENGINE cowling
6	4260695596	1	COVER,
7	060152596	1	BOX, tool
8	4260709458	1	PANEL, SIDE, lateral
9	4260695555	1	SUPPORT,
10	4260703411	2	SUPPORT,
11	4260709466	1	FLAP,
12	4260695588	1	DIVIDER, part of rear
13	4260695715	1	RETAINER,
14	4260695723	1	STAY,
15	4260695731	1	HOLDER, trestle
16	4260695748	1	STAY,
17	4260707858	1	ANGLE BAR,
18	4260695764	2	HOLDER, trestle
19	4260695772	1	ANGLE BAR,
20	4260709538	1	RETAINER,
21	4260703444	1	STAY,
22	4240028213	1	SUPPORT,
23	4032804250	1	BLANK-OFF PLUG, closure
24	4260715255	1	TAB, LOCKING, closure
25	060184257	1	SUPPORT, mount
26	4270720025	1	SUPPORT,
27	060069061	1	ANGLE BAR,
28	4270719956	1	PAN,
29	4270720000	1	PANEL, SIDE, guard
30	4270719964	1	COVER, PANEL rear
31	4270719972	1	FLAP,
32	060069078	1	ANGLE BAR,
33	4270719915	1	GUARD,
34	4260709208	1	ANGLE BAR,
35	4260709425	1	RUBBER SEAL,
36	4260715263	1	RETAINER,
37	9933929651	20	SCREW, hex, M6 x 14 -8.8
38	9933958584	4	SCREW, hex, M6 x 18 -8.8
39	006213734	28	NUT, hex, M6 -8
40	006510228	21	WASHER, B6.4
41	9961919927	27	WASHER, SPRING, B6
42	006340781	23	SCREW, hex, M8 x 16 -8.8
43	9933930001	16	SCREW, hex, M8 x 20 -8.8
44	9933929173	2	SCREW, hex, M8 x 25 -8.8
45	006213830	35	NUT, hex, M8 -8

05-17 COWLING, LEFT

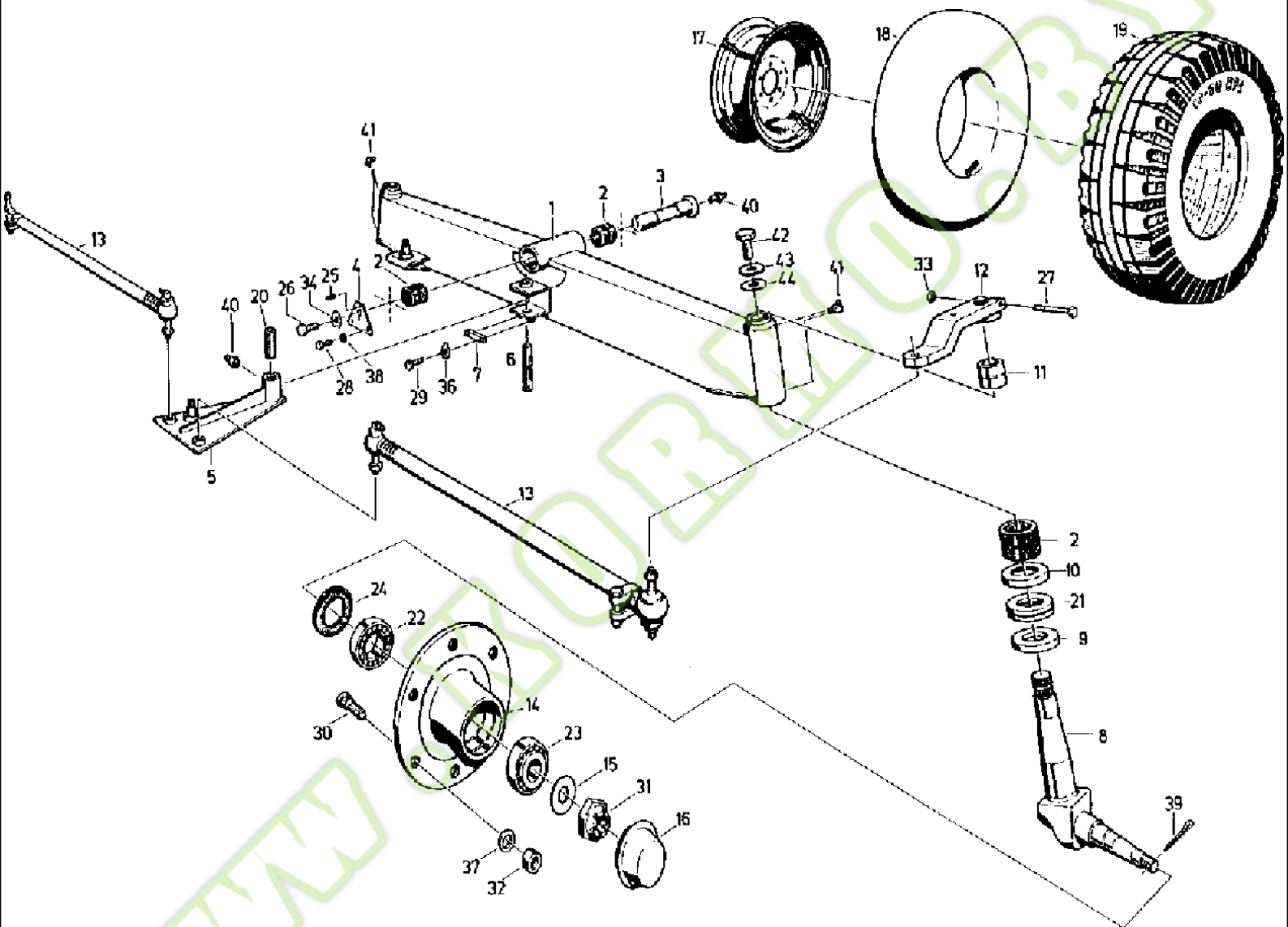
Ref	Part Number	Qty	Description
46	9999853158	16	PLATE, LOCKING, WASHER, VSF B8
47	9961920061	22	WASHER, SPRING, B8
48	006344037	23	SCREW, hex, M10 x 25 -8.8
49	9933931478	2	SCREW, hex, M10 x 70 -8.8
50	006213935	22	NUT, hex, M10 -8
51	9961920004	8	WASHER, SPRING, B10
52	9964962486	8	WASHER, B10.5
53	9960921787	2	WASHER, A10.5
54	9963949762	2	PIN, SPLIT (COTTER), 3.2 x 16
56	9963949600	6	PIN, SPLIT (COTTER), 1.6 x 10
57	006436908	6	PIN, LARGE, BOLT, B6 h11 x 40
58	9972884592	6	FASTENER, HOLDER hood, 3
59	006510927	7	WASHER, A6.4
61	006267111	6	NUT, hex, M6 -8
64	9972879345	1	BUFFER, RUBBER, foot
65	9938927766	1	SCREW, fillister-head, M6 x 35 -5.8
66	4270722822	1	PARTITION, front
67	4270722830	1	ANGLE BAR,
68	4270722863	1	HOOK,
69	060069133	1	RETAINER,
70	4270722855	1	ANGLE BAR,
71	4270722896	1	RETAINER,
72	4260689114	24	WASHER,
73	9999853166	26	PLATE, LOCKING, WASHER, VSF B 10
74	060152635	1	ANGLE BAR,
75	060152602	1	SHIN, strap
76	9933931123	2	SCREW, hex, M10 x 30 -8.8
77	006338385	12	SCREW, hex, M6 x 16 -8.8
78	9930977163	1	SCREW, hex, M6 x 20 -8.8
79	060508830	1	LOCK ASSY,
80	060184312	1	STRIP, PROTECTION,
81	060184320	1	STOP,
82	061029205	1	PROTECTOR,



Ref	Part Number	Qty	Description
2	4260695506	1	FLAP, hinged side
3	060152692	1	PLATE,SIDE, panel
4	060069254	1	COVER, REAR, panel
5	060152676	1	DIVIDER, part of rear
6	060206641	1	SUPPORT, COWL, radiator
7	4260695635	1	COVER,
8	4260695643	1	SIDE-PLATE, wall
9	4260695555	1	SUPPORT,
10	060069158	1	RETAINER,
11	4270722896	1	RETAINER,
12	4270720025	1	SUPPORT,
13	4270719972	1	FLAP,
14	4270719980	1	PAN,
15	4270720017	1	PANEL, SIDE, guard
16	4270719997	1	COVER, PANEL rear
17	4270719907	1	PARTITION, front
18	4270719923	1	GUARD,
19	4270719931	1	RETAINER,
20	4260695803	1	RETAINER,
21	4240031772	2	HOLDER, trestle
22	060069190	1	ANGLE BAR,
23	4270719843	1	RETAINER,
24	060069174	2	ANGLE BAR,
25	4260707858	1	ANGLE BAR,
26	060184257	1	SUPPORT,
27	060508830	1	LOCK ASSY, closure
28	4260695852	1	RETAINER,
29	4260709208	1	ANGLE BAR,
31	4260695731	1	HOLDER, trestle
32	060069213	1	SHIN, strap
33	006338385	7	SCREW, hex, M6 x 16 -8.8
36	006213734	36	NUT, hex, M6 -8
37	006510228	13	WASHER, B6.4
38	9961919927	27	WASHER, SPRING, B 6
39	006340781	16	SCREW, hex, M8 x 16 -8.8
40	9933930001	19	SCREW, hex, M8 x 20 -8.8
41	9933929173	2	SCREW, hex, M8 x 25 -8.8
42	006213830	39	NUT, hex, M8 -8
43	4260689114	35	WASHER,
44	9961920061	29	WASHER, SPRING, B8
45	006344037	9	SCREW, hex, M10 x 25 -8.8
46	006213935	13	NUT, hex, M10 -8
47	9961920004	3	WASHER, SPRING, B10
48	9964962486	4	WASHER, B10.5
49	9961921787	2	WASHER, A10.5

05-21 COWLING, RIGHT

Ref	Part Number	Qty	Description
50	9963949762	2	PIN, SPLIT (COTTER), 3.2 x 16
51	9963949600	5	PIN, SPLIT (COTTER), 1.6 x 10
52	006436908	5	PIN, LARGE, BOLT, B6 h11 x 40
53	9972884592	5	FASTENER, hood, 3
54	006510927	8	WASHER, A 6.4
61	4270722863	1	HOOK,
62	4260715263	1	RETAINER,
63	4260715255	1	TAB, LOCKING,
64	9972879345	1	BUFFER, RUBBER, foot
65	9938927766	1	SCREW, fillister-head, M6 x 35 -5.8
67	9999853166	4	PLATE, LOCKING, WASHER, VSF B 10
68	9999853158	28	PLATE, LOCKING, WASHER, VSF B 8
71	4270719892	1	ANGLE BAR,
72	060152475	1	PANEL, SIDE, guard
73	4270722847	1	ANGLE BAR,
74	060069221	1	ANGLE BAR,
75	9933929065	3	SCREW, hex, M10 x 20 -8.8
76	9933929651	4	SCREW, hex, M6 x 14 -8.8
77	9930977163	2	SCREW, hex, M6 x 20 -8.8
78	060184312	1	STRIP, PROTECTION,
79	060184320	1	STOP,
80	060183891	1	STRIP, PROTECTION,
81	060188097	1	COVER,
82	060512216	8	SCREW, flat-round-head, M6 x 16
83	060150770	10	PLATE, LOCKING, WASHER, VSF B6
84	060207007	1	STAY, strut
85	060206996	1	STAY, strut
86	061029213	1	PROTECTOR,



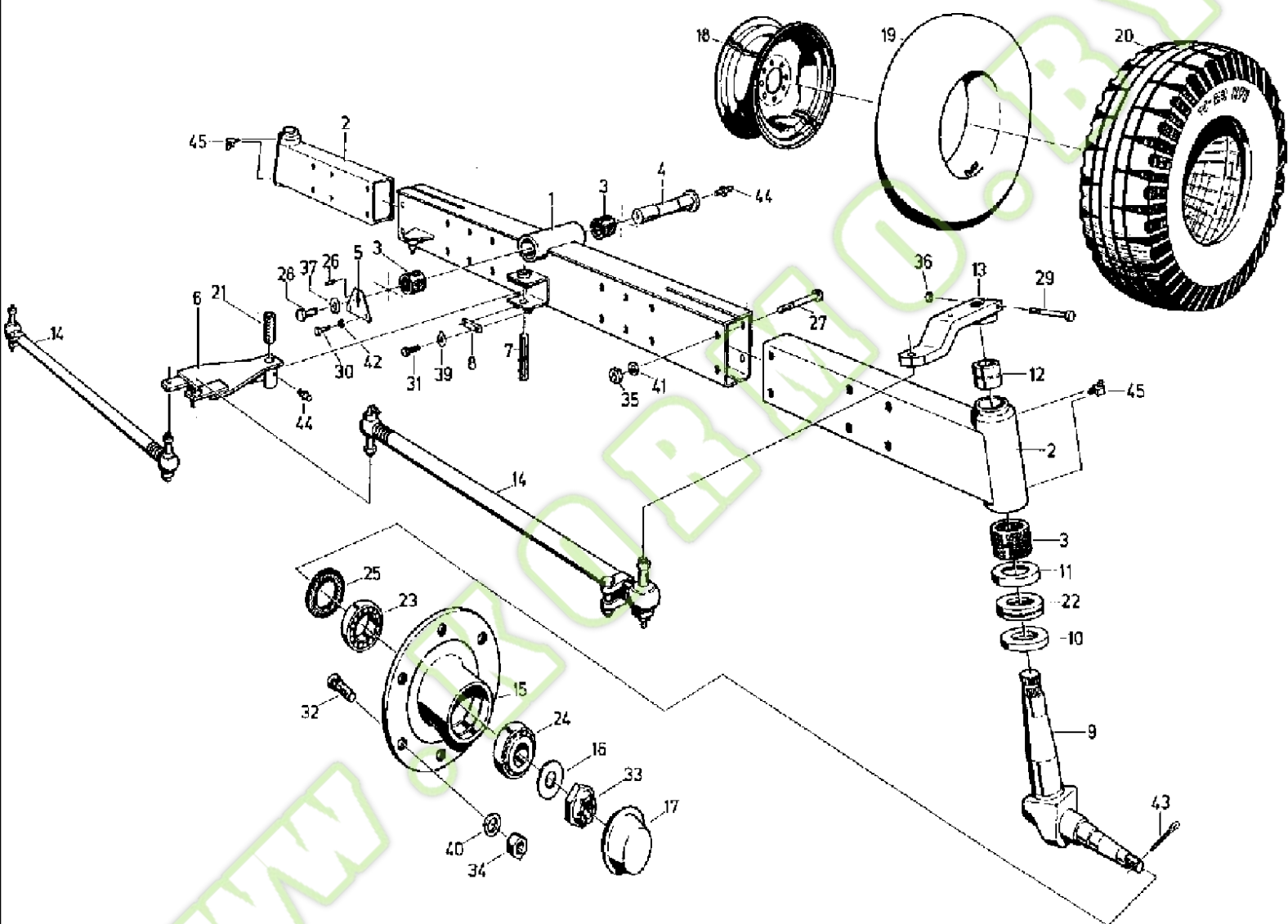
05-25 STEERED AXLE

Ref	Part Number	Qty	Description
1	4260696451	1	SUPPORT, AXLE,
2	4221609493	4	BUSHING,
3	061031843	1	STUD, BOLT steered axle
4	061031851	1	PLATE, LOCKING,
5	4260696468	1	LEVER, STEERING,
6	4260691986	1	PIN, LARGE, BOLT lever
7	4260691994	1	GUIDE,
8	4221670633	2	LEVER, STEERING,
9	4221609686	2	BACK-UP RING,
10	4221609694	2	COVER,
11	4221609485	2	BUSHING,
12	4260691961	2	TIE ROD, ARM track
13	060207513	2	TIE ROD, track
14	4330252975	2	HUB,
15	9960922931	2	WASHER, 33
16	001312805	2	CAP, hub
17	4221614345	2	RIM, WHEEL disk, 9 x 20 F0
17	4254127428	2	RIM, WHEEL disk, E 11 x 20 F 25
18	4254126523	2	AIR TUBE, inner, 10-20
18	1402347013	2	AIR TUBE, inner, E, 12.5-20
19	0030670435	2	TIRE, RUBBER, 10-20/8 PR
19	4240043518	2	TIRE, RUBBER, E, 12.5-20/8 PR-A 13
20	9926866811	1	BUSHING, 26 x 32 x 69
21	9902888133	2	BEARING, BALL, 51112
22	9902888584	2	BEARING, ROLLER, roller, 32210
23	9902888551	2	BEARING, ROLLER, 32208
24	9905871661	2	SEAL, shaft, D55 x 90 x 10
25	9967943833	1	PIN, grooved, 10 x 20
26	9935958180	1	SCREW, hex, M20 x 1, 5 x 45-10.9
27	9932961861	2	SCREW, hex, M16 x 90 -8.8
28	006344037	2	SCREW, hex, M10 x 25 -8.8
29	9933958406	2	SCREW, hex, M6 x 22 -8.8
30	9929902525	12	STUD, BOLT wheel, AM 18 x 1, 5 x 46
31	9951894726	2	NUT, castellated, M30 x 1, 5-14 H
32	9951902510	12	NUT, WHEEL, B18-8
33	003790308	2	NUT, hex, M16 -10
34	9962923721	1	WASHER, 21
36	9962968114	2	WASHER, 6.4
37	9961912334	12	WASHER, LOCK, spring, C18.5
38	9961920004	2	WASHER, SPRING, B 10
39	9963950651	2	PIN, SPLIT (COTTER), 6.3 x 56
40	003617056	2	NIPPLE, LUBE, AM8 x 1
41	9920925515	4	NIPPLE, LUBE, BM8 x 1
42	9933931863	2	SCREW, hex, M12 x 25 -8.8
43	9929236633	2	WASHER, 13

Ref	Part Number	Qty	Description
44	060203856	2	WASHER, LOCK, plate

WWW.KORMO.BY



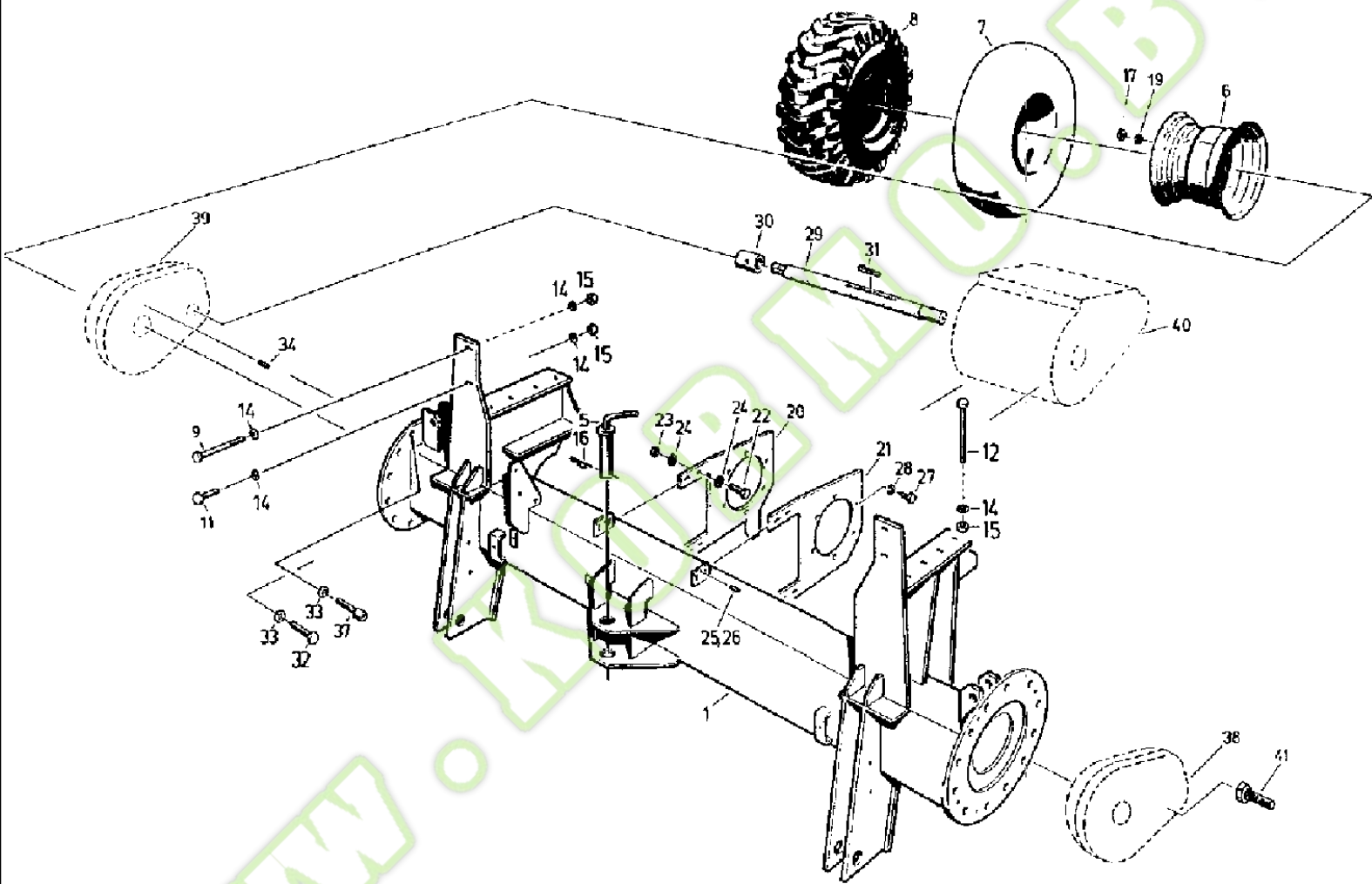


05-29 STEERED AXLE, ADJUSTABLE

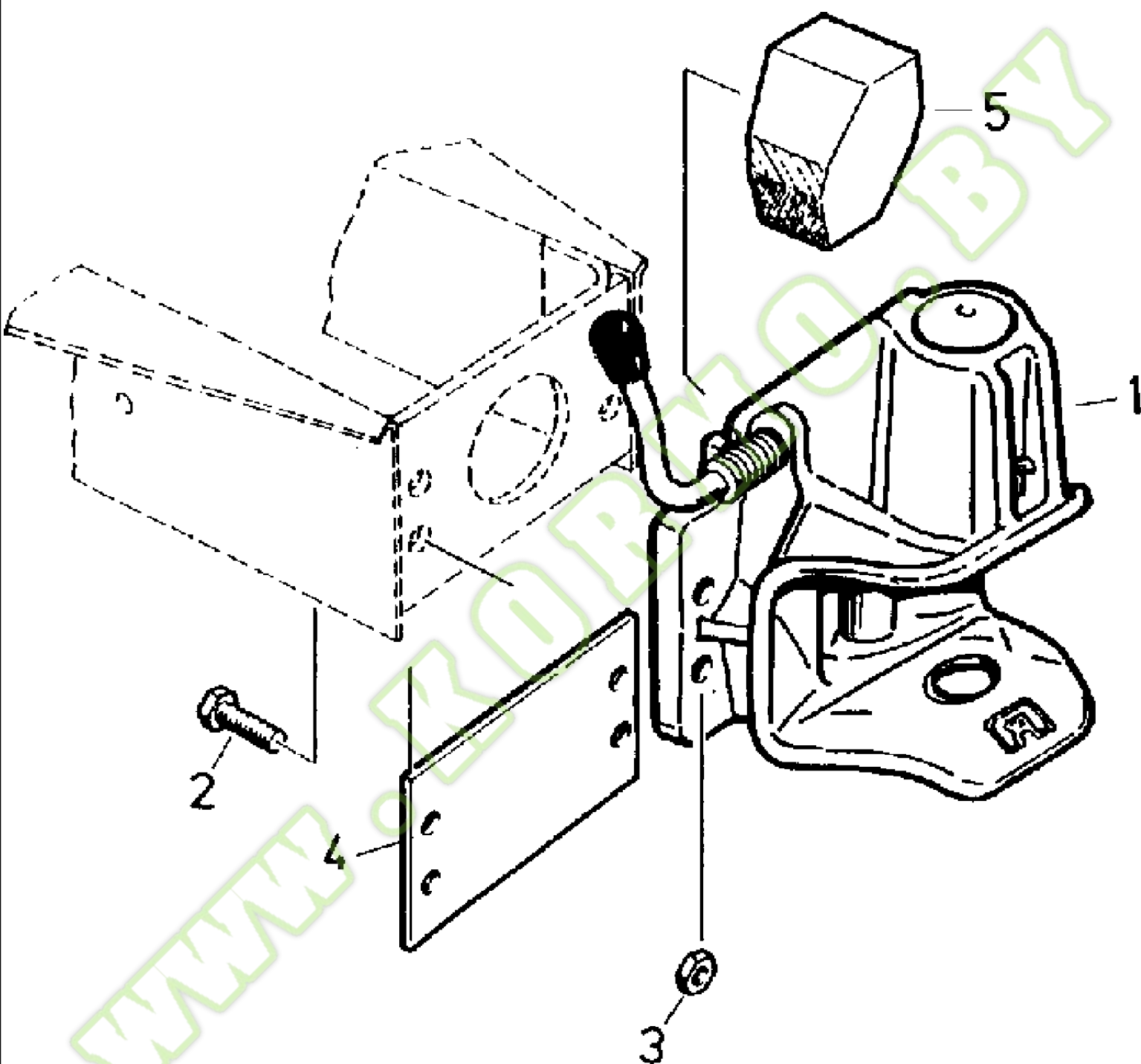
Ref	Part Number	Qty	Description
1	4260691945	1	BODY, AXLE
2	4260692005	2	CARRIER, AXLE, bracket
3	4221609493	4	BUSHING,
4	061031843	1	STUD, BOLT steered axle
5	061031851	1	PLATE, LOCKING,
6	4260691953	1	LEVER, STEERING,
7	4260691986	1	PIN, LARGE, BOLT lever
8	4260691994	1	GUIDE,
9	4221670633	2	LEVER, STEERING, arm
10	4221609686	2	BACK-UP RING,
11	4221609694	2	COVER,
12	4221609485	2	BUSHING,
13	4260691961	2	TIE ROD, ARM steering knuckle
14	4260691978	2	TIE ROD, track
15	4330252975	2	HUB,
16	4032800528	2	WASHER,
17	001312805	2	CAP, hub
18	4221614345	2	RIM, WHEEL disk, 9 x 20 FO
18	4254127428	2	RIM, WHEEL disk, 11 x 20 F-25
19	4254126523	2	AIR TUBE, inner, 10-20
19	1402347013	2	AIR TUBE, inner, 12.5-20 GL
20	4240043518	2	TIRE, RUBBER, 12.5-20 AM 8 PR A13
20	0030670435	2	TIRE, RUBBER, 10-20 8 PR
21	9926866811	1	BUSHING, 26 x 32 x 69
22	9902888133	2	BEARING, BALL, 51112
23	9902888584	2	BEARING, ROLLER, taper, 32210
24	9902888551	2	BEARING, ROLLER, taper, 2208
25	9905871661	2	SEAL, shaft, D55 x 90 x 10
26	9967943833	1	PIN, grooved, 10 x 20
27	060078464	8	SCREW,
28	9935958180	1	SCREW, hex, M20 x 1, 5 x 45-10.9
29	9932961861	2	SCREW, hex, M16 x 90 -8.8
30	006344037	2	SCREW, hex, M10 x 25 -8.8
31	9933958406	2	SCREW, hex, M6 x 22 -8.8
32	9929902525	12	STUD, BOLT wheel, AM18 x 1, 5 x 46
33	9951894726	2	NUT, Castellated, M30 x 1, 5 -14H
34	9951902510	12	NUT, wheel, B18 -8
35	9950896946	8	NUT, hex, M20 x 1, 5 -8
36	003790308	2	NUT, hex, M16 -8
37	9962923721	1	WASHER, 21
39	9962968114	2	WASHER, 6.4
40	9961912334	12	WASHER, LOCK, spring, C 18.5
41	9960919647	8	WASHER, 21
42	9961911085	2	WASHER, LOCK, spring, B10
43	9963950651	2	PIN, SPLIT (COTTER), 6.3 x 56

Ref	Part Number	Qty	Description
44	003617056	2	NIPPLE, LUBE, AM8 x 1
45	9920925515	4	NIPPLE, LUBE, BM8 x 1

WWW.KORMO.BY



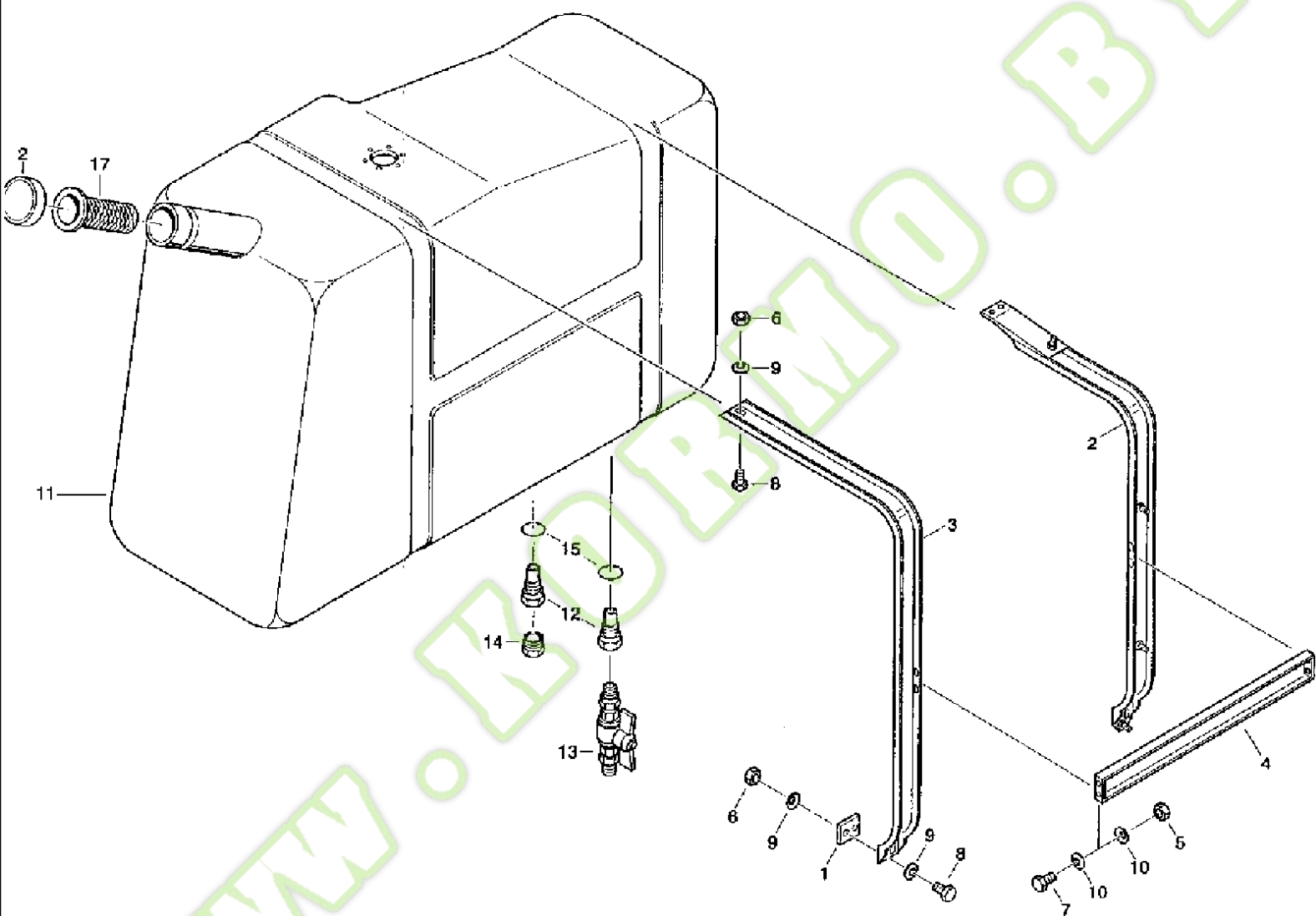
Ref	Part Number	Qty	Description
1	060198865	1	AXLE,
5	9928939642	1	PIN, SPLIT (COTTER), BOLT handle, 30 x 125
6	061014102	2	RIM, WHEEL disk, DW 20 x 26 G 110
7	4240036094	2	AIR TUBE, inner, 18-26 AS
8	4240036086	2	TIRE, RUBBER, 23.1-26 AS 12PR
9	9932977635	2	SCREW, hex, M16 x 130 -8.8
11	9933932815	2	SCREW, hex, M16 x 40 -8.8
12	9932932793	8	SCREW, hex, M16 x 160 -8.8
14	9960964450	20	WASHER, 17
15	9950896841	8	NUT, hex, M16 -8
16	060508814	1	SPLIT PIN/SAFETY PIN, hair cotter
17	006111753	16	NUT, WHEEL, B22 -8
19	006456567	16	WASHER, LOCK, spring, C 22.5
20	060198832	1	SUPPORT, IRON holding sheet
21	060198840	1	SUPPORT, IRON holding sheet
22	9933932028	8	SCREW, hex, M12 x 35 -8.8
23	9954897654	8	NUT, hex, VM 12 -8
24	9960921988	16	WASHER, 13
25	060513282	4	SPLIT PIN/SAFETY PIN, brace, 7 x 20
26	060513290	4	SPLIT PIN/SAFETY PIN, brace, 12 x 20
27	9933932108	12	SCREW, hex, M12 x 40 -8.8
28	9961911198	12	WASHER, LOCK, spring, 12
29	060523307	2	SHAFT, counter
30	060513313	2	RING, GUIDE, profile
31	060513321	2	KEY, gib-head, 14 x 9 x 75
32	9933958576	16	SCREW, hex, M20 x 50 -8.8
33	060513338	20	WASHER, LOCK, spring, CN 20
34	060513346	2	STUD, PIN, 8.5 h9 x 32
37	060513354	4	SCREW, cylinder, M20 x 50
38	060523276	1	GEAR, straight spur, f
39	060523284	1	GEAR, straight spur, g
40	060523292	1	TRANSMISSION, spur
41	060520490	16	WHEEL SHAFT, BOLT, M22 x 1, 5 x 65



05-35 TRAILER COUPLING

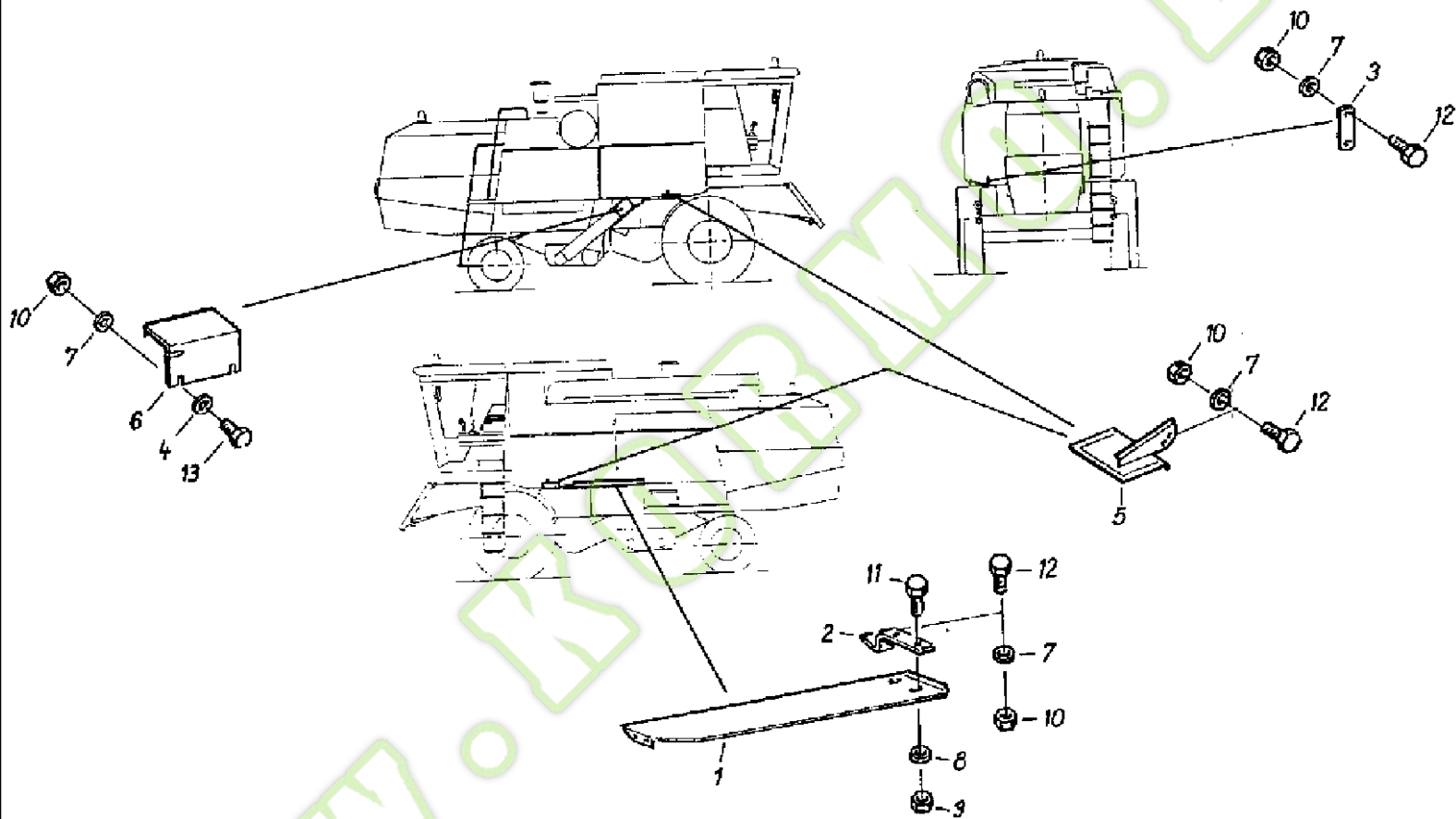
Ref	Part Number	Qty	Description
1	060501576	1	DRAW HOOK, coupling
2	9933959624	4	SCREW, hex, M10 x 45 -10.9
3	006116147	4	NUT, hex, M10 -10
4	061021046	1	SHEET, support
5	061021054	1	RUBBER, mat

WWW.KORMO.BY



05-37 FUEL TANK

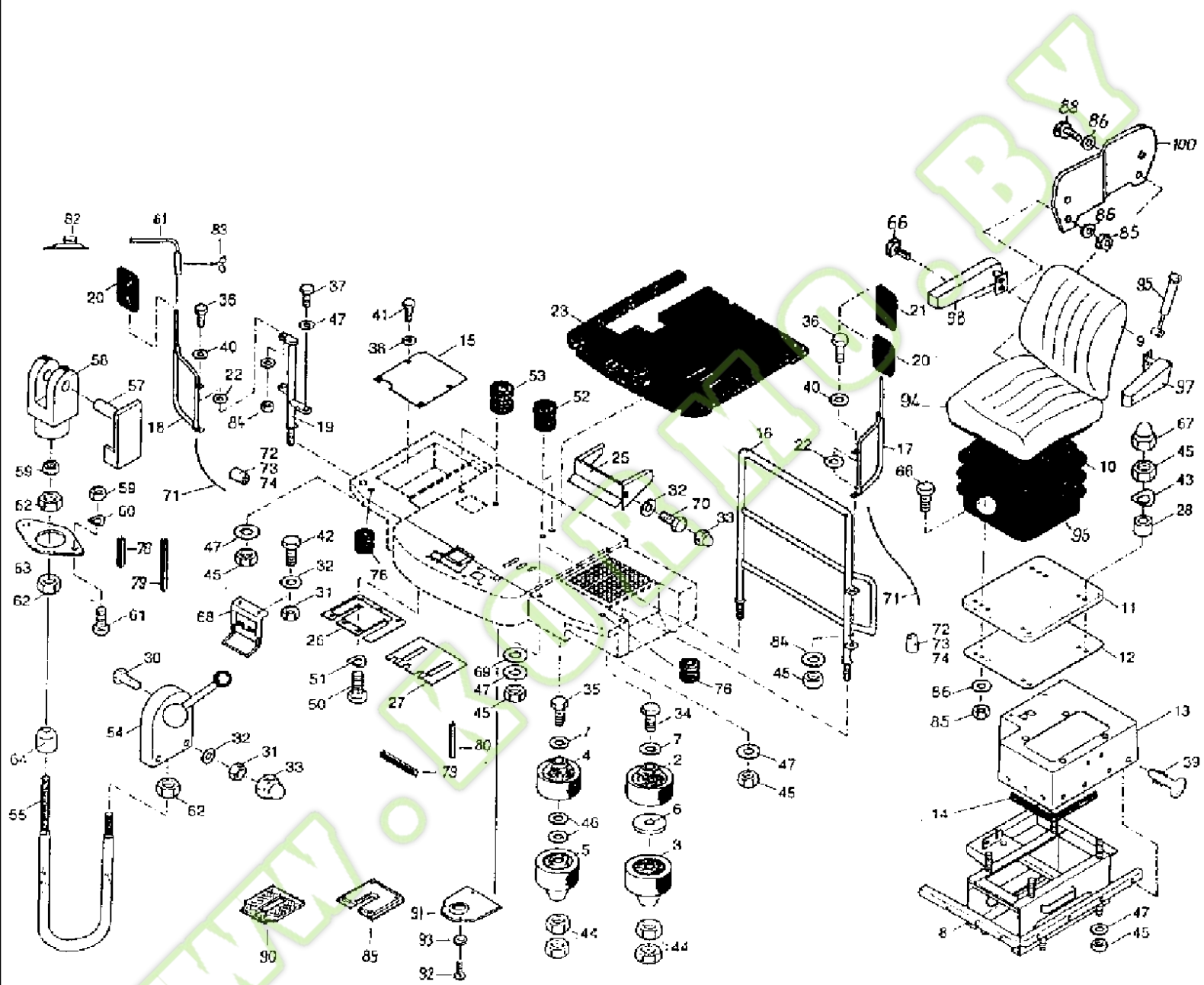
Ref	Part Number	Qty	Description
1	061028495	4	BLOCK,
2	061028405	1	BOW,
3	061028413	1	BOW,
4	061028421	1	LINK DRAG, connection
5	006213734	4	NUT, hex, M6-8
6	006213935	8	NUT, hex, M10-8
7	006338385	4	SCREW, hex, M6 x 16 -8.8
8	006344037	8	SCREW, hex, M10 x 25 -8.8
9	9999853094	12	PLATE, LOCKING, WASHER, VSF-M10
10	9999853100	8	PLATE, LOCKING, WASHER, VSF-M6
11	060190921	1	RESERVOIR,
12	061028390	2	FITTING, socket
13	061052727	1	VALVE, SHUT-OFF,
14	060510464	1	ADAPTER, screw, XGE 10-L/M16X1,5/A3C
15	9907914993	2	O-RING, round, 22 x 3-NBR90
16	060510407	1	PLUG, cover, DV80
17	060533132	1	SCREEN,



05-39 GUARDS

Ref	Part Number	Qty	Description
1	4260709224	1	RETAINER, PLATE cover
2	4260709224	1	RETAINER, bracket
3	4260709265	1	SHIN, PLATE fish
4	4260689114	4	WASHER, 17 x 8, 3 x 2.5
5	4260709257	2	PROTECTOR,
6	4260709240	1	PROTECTOR,
7	9961920061	8	WASHER, SPRING, B 8
8	9961919927	4	WASHER, SPRING, B 6
9	006213734	4	NUT, hex, M6 -8
10	006213830	8	NUT, hex, M8 -8
11	9933929200	4	SCREW, hex, M6 x 12 -8.8
12	006340781	6	SCREW, hex, M8 x 16 -8.8
13	9933930001	2	SCREW, hex, M8 x 20 -8.8

WWW.KORMO.BY



06-03 DRIVER'S PLATFORM, DRIVER'S SEAT

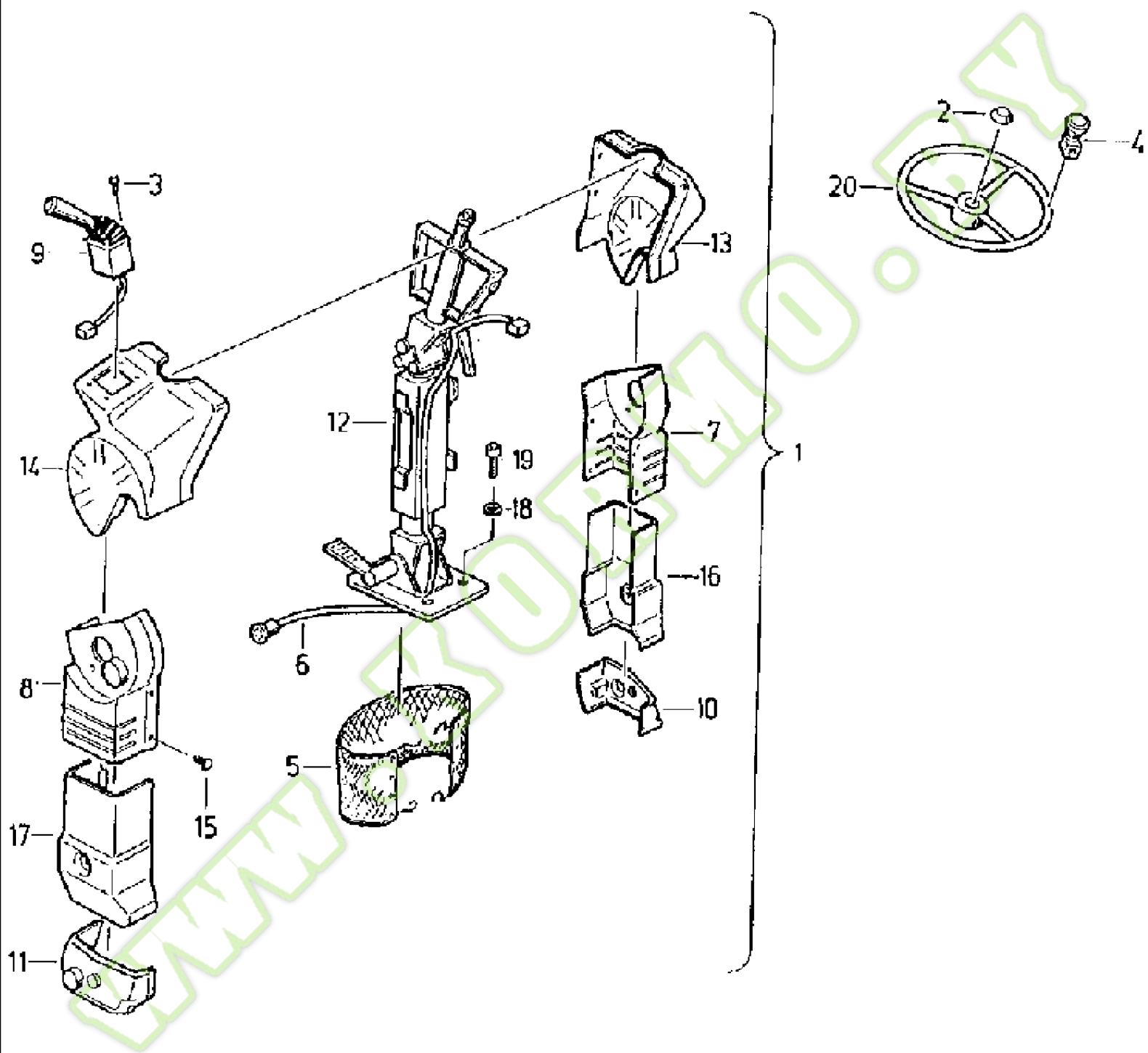
Ref	Part Number	Qty	Description
2	4260696804	2	DAMPER, INSULATOR vibrations
3	4140750394	2	DAMPER, INSULATOR vibrations
4	4140750386	4	DAMPER, INSULATOR vibrations
5	4260696812	4	DAMPER, INSULATOR vibrations
6	4260691086	2	PIN, SMALL, PIECE centering
7	4250132814	6	WASHER,
8	061015618	1	SUPPORT, SEAT, bracket
9	060521290	1	CUSHION, backrest
10	060503996	1	SUSPENSION, spring
11	061015642	1	COVER, PROTECTIVE,
12	061015626	1	COVER,
13	061015634	1	COWL, panelling
14	061021544	1	PROFILE,
15	061019984	1	PANEL, PLATE cover
16	061021368	1	RAMP, RAIL hand
17	060184015	1	BRACKET, f
18	060184056	1	BRACKET, g
19	060212455	1	HOLDER, adapter
20	060508566	2	MIRROR, ATTACHMENT,
21	4260696798	1	MIRROR, head
22	4260701676	4	WASHER,
23	060197993	1	MAT, floor
25	060197977	1	COWL, hood
26	061065707	1	PLATE, closing
27	061065715	1	GASKET, packing
28	061021560	4	SLEEVE,
30	9933929450	2	SCREW, hex, M6 x 30 -8.8
31	006213734	4	NUT, hex, M6 -8
32	9999853100	4	PLATE, LOCKING, WASHER, VSF M 6
33	060505442	5	PLUG, CAP vent, SW 10
34	9932959850	2	SCREW, hex, M12 x 140 -8.8
35	006303375	4	SCREW, hex, M12 x 120 -8.8
36	9933931123	4	SCREW, hex, M10 x 30 -8.8
37	9933929065	1	SCREW, hex, M10 x 20 -8.8
38	9961921673	4	WASHER, R 9
39	060505602		RIVET, polyamid
40	9965964438	8	WASHER, 10 x 25 x 3
41	006340781	4	SCREW, hex, M8 x 16 -8.8
42	006338385	2	SCREW, hex, M6 x 16 -8.8
43	9961920004	4	WASHER, SPRING, B 10
44	006214140	12	NUT, hex, M12 -8
45	006213935	15	NUT, hex, M10 -8
46	060501221	8	WASHER, 13
47	9999853094	8	PLATE, LOCKING, WASHER, VSF M 10
50	9933929200	10	SCREW, hex, M6 x 12 -8.8

06-03 DRIVER'S PLATFORM, DRIVER'S SEAT

Ref	Part Number	Qty	Description
51	9961919927	10	WASHER, SPRING, B 6
52	9972876994	2	GROMMET, NOZZLE cable
53	9972876808	2	GROMMET, NOZZLE cable
54	060506427	1	LEVER, transmitter
55	060506443	1	SLIDE, CONTROL, lever
57	060506484	1	PIN, LARGE, BOLT, 6mm
58	060506492	1	HEAD, fork, G6 x 24
59	006213478	4	NUT, hex, M5 -8
60	9961919902	2	WASHER, SPRING, B 5
61	9933958471	2	SCREW, hex, M5 x 14 -8.8
62	060506468	3	NUT, hex, M10 x 1 -8
63	060506476	1	BALL JOINT, socket, KG 10
64	060506451	1	GROMMET, NOZZLE
66	9933929065	6	SCREW, hex, M8 x 20 -8.8
67	060505596	4	PLUG, CAP vent, SW 16
68	060180495	1	SUPPORT, HOLDER coupling
69	9965927315	1	WASHER, WASHER, 11 x 36 x 5
70	9933929161	2	SCREW, hex, M6 x 10 -8.8
71	060508525	2	CABLE, control, 2M
72	060508541	2	CONNECTOR, line
73	060508858	2	CONNECTOR, O-hitch
74	060508533	10	CONTACT, pin
76	9972876937	2	GROMMET, BOOT cable, A10 x 1.5
77	060198535	1	PROFILE,
78	061027420	2	PROFILE,
79	061024282	2	PROFILE,
80	060183600	2	STRIP, PROTECTION,
81	061025572	1	BOW,
82	4260696798	1	MIRROR, head
83	9944926806	1	THUMB SCREW, wing, M8 x 20
84	9950897818	4	NUT, hex, VM 10 - 8
85	006213830	6	NUT, hex, M8-8
86	9999853117	10	PLATE, LOCKING, WASHER, VSF M 8
87	060533093	1	ARMREST,
88	9933930331	2	SCREW, hex, M8 x 40 -8.8
89	060209677	1	PLATE, closing
90	060200347	1	GASKET,
91	060197702	1	COVER,
92	006338385	4	SCREW, hex, M 6x16 -8.8
93	060150770	4	PLATE, LOCKING, WASHER, VSF B 6
94	060521290	1	CUSHION,
95	060521266	1	DAMPER, HITCH, ABSORBER shock
96	060521274	1	BELLOWS,
97	060522580	1	ARMREST ASSY., f
98	060522597	1	ARMREST, g

Ref	Part Number	Qty	Description
99	006340781	4	SCREW, hex, M8 x 16 -8.8
100	061065957	1	ADAPTER, extension

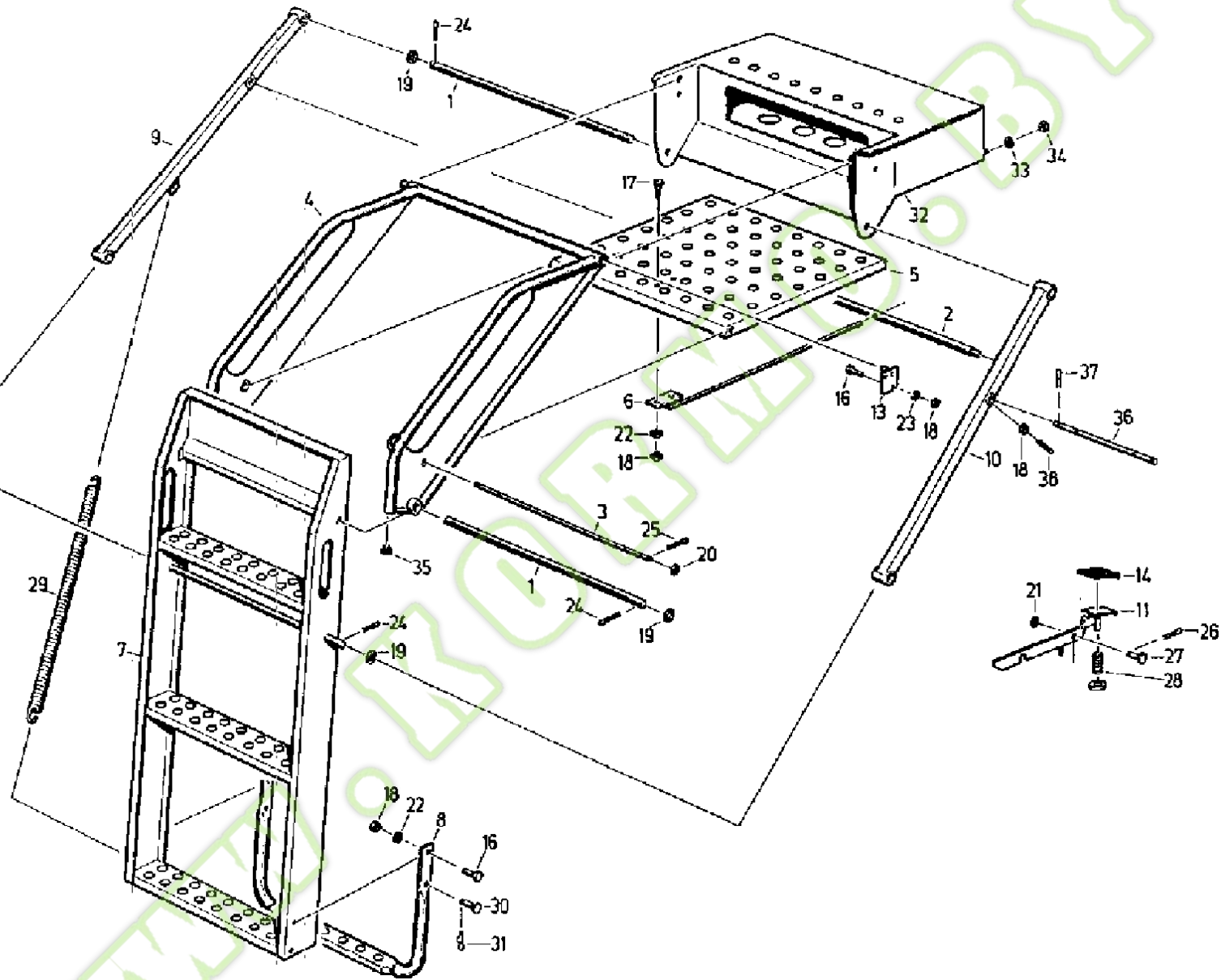
WWW.KORMO.BY



06-09 STEERING COLUMN

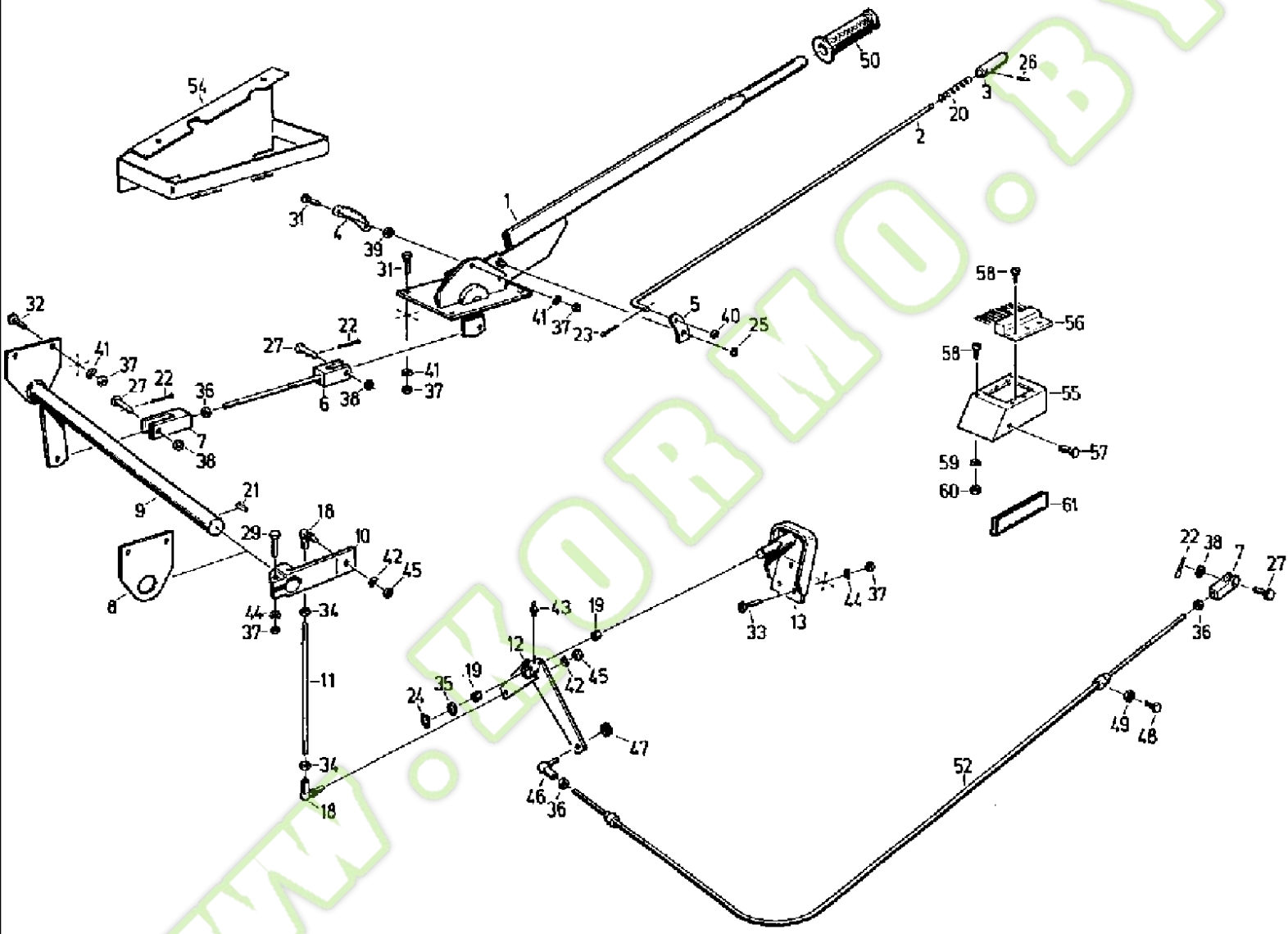
Ref	Part Number	Qty	Description
1	060512868	1	STEERING COLUMN,
2	060515034	1	HANDWHEEL,
3	060515042	1	COVER, PROTECTIVE,
4	060515050	1	KNOB,BALL, twist drip
5	006279976	4	SCREW, M10 x 20 -8.8
6	9961963891	4	DISC, NOTCHED, WASHER toothed, J10.5

WWW.KORMO.BY



06-11 LADDER

Ref	Part Number	Qty	Description
1	4260700884	2	HOOK, BOLT through
2	4260700868	1	BAR, torsion
3	4260700876	1	STEM, BOLT through
4	4260700788	1	CLAMP, PART upper
5	4260700802	1	STEP,
6	4260700810	1	GUIDE,
7	4260700827	1	LADDER, lower part
8	4260700835	1	STEP, section
9	4260700843	1	BRAKE, ROD connecting
10	4260700851	1	BRAKE, ROD connecting
11	060200410	1	LEVER,
12	4260703235	1	JOINT, hinge
13	4240037536	1	PIN, SPLIT (COTTER), BOLT handle
14	4221672514	1	LINING, pedal
15	9933930001	2	SCREW, hex, M8 x 20 -8.8
16	006340781	3	SCREW, hex, M8 x 16 -8.8
17	9945926163	2	SCREW, round-head, M8 x 20 -8.8
18	006213830	9	NUT, hex, M8 -8
19	060501254	4	WASHER, A 17
20	9960921988	2	WASHER, A 13
21	9960921787	1	WASHER, A 10.5
22	9999853117	8	PLATE, LOCKING, WASHER, VSF M 8
23	9961910976	7	SPRING, WASHER lock, B 8
24	006402361	6	PIN, SPLIT (COTTER), 4 x 25
25	9963949947	2	NO DESCRIPTION, PIN split, 4 x 20
26	9963950442	1	PIN, SPLIT (COTTER), 3.2 x 18
27	9949863208	1	PIN, LARGE, BOLT, B10 h11 x 35 x 26
28	9973883115	1	SPRING, COMPRESSION, A2 x 22 x 11.5
29	9974882804	1	SPRING, TENSION, C4 x 36 x 60 Aa-2
30	060155951	2	PIN, LARGE, BOLT
31	9928939224	2	SPLIT PIN/SAFETY PIN, hair cotter
32	060200121	1	EXTENSION, nipple
33	9999853125	4	PLATE, LOCKING, WASHER, VSF M 12
34	006214140	4	NUT, hex, M 8 -8
35	060533003	2	CAP, covering
36	060184505	1	PIN, LARGE, BOLT
37	9963949795	2	PIN, SPLIT (COTTER), 3.2 x 20
38	060508984	1	PIN, PLUG thread, M8 x 20



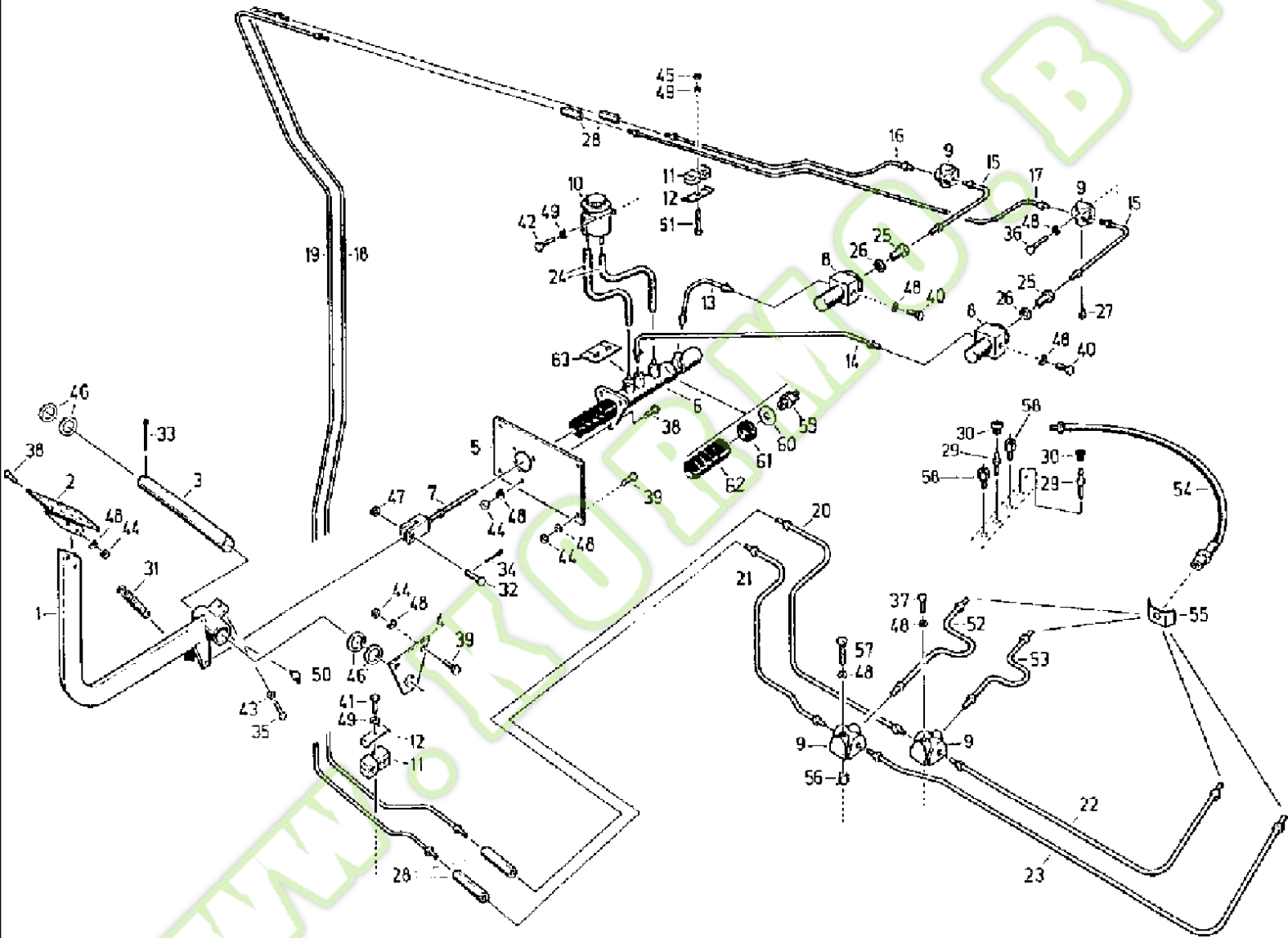
06-13 HAND BRAKE - S

Ref	Part Number	Qty	Description
1	4260691213	1	BRAKE LEVER,
2	4260691238	1	BAR,
3	4250120691	1	SPRING, push button
4	4210377117	1	SECTOR, toothed
5	4260691221	1	PAWL, latch
6	060197735	1	ROD, ADJUSTMENT, tie
7	9969883232	2	CRADLE, head, G10 x 40
8	4221605504	1	BEARING, SHIELD end
9	4260703276	1	SHAFT, hand brake
10	4260703284	1	CONNECTOR, TERMINAL, PIECE clamping
11	4260696603	1	BAR,
12	060201942	1	LEVER, bent
13	060183328	1	BRACKET,
18	9910957364	2	JOINT, angle
19	4240030193	2	BUSHING,
20	9973879594	1	SPRING, compression, C1, 4 x 15 x 17.5
21	9965956093	1	KEY, BUCKET TOOTHRT, fitting, A8 x 7 x 28
22	003780113	3	PIN, SPLIT (COTTER), 3.2 x 22
23	9963949297	1	PIN, SPLIT (COTTER), 1.6 x 12
24	9964917135	1	CIRCLIP, 15 x 1
25	9964917457	1	CIRCLIP, 12 x 1
26	9967942873	1	PIN, grooved plain, 3 x 12
27	9949863072	3	PIN, LARGE, BOLT, B10 h11 x 30 x 24
29	9932930373	1	SCREW, hex, M8 x 45 -8.8
31	9933930026	6	SCREW, hex, M8 x 25 -8.8
32	9933929715	2	SCREW, hex, M8 x 18 -8.8
33	006281191	3	SCREW, cheese-head, M8 x 30 -8.8
34	9950896681	2	NUT, hex, M14 x 1.5 -8
35	9960922353	1	WASHER, A 17
36	006213935	3	NUT, hex, M10 -8
37	006213830	15	NUT, hex, M8 -8
38	9960921787	3	WASHER, A 10.5
39	9960919831		WASHER, n.B., 9
40	006510927	1	WASHER, A 6.4
41	9961920061	14	WASHER, SPRING, B8
42	9961920117	2	WASHER, SPRING, B14
43	9920925492	1	NIPPLE, LUBE, AM 6
44	9999853117	9	PLATE, LOCKING, WASHER, VSF M 8
45	006214993	2	NUT, hex, M14 x 1.5-8
46	060502271	1	JOINT, angle
47	006116067	1	NUT, hex, M10-8
48	9933928980	2	SCREW, hex, M5 x 12 -8.8
49	006213478	2	NUT, hex, M5-8
50	061022336	1	GRIP,
52	061028696	1	BRAKE, cable

06-13 HAND BRAKE - S

Ref	Part Number	Qty	Description
54	061050805	1	RETAINER,
55	061015312	1	COWL, hood
56	061015320	2	BRUSH,
57	060505602	1	RIVET, PIN polyamid
58	006088648	6	SCREW, fillister-head, M5 x 12 -5.8
59	9961919902	9	WASHER, SPRING, B5
60	006213478	9	NUT, hex, M 5-8
61	061021552	1	PROFILE,

WWW.KORMO.BY

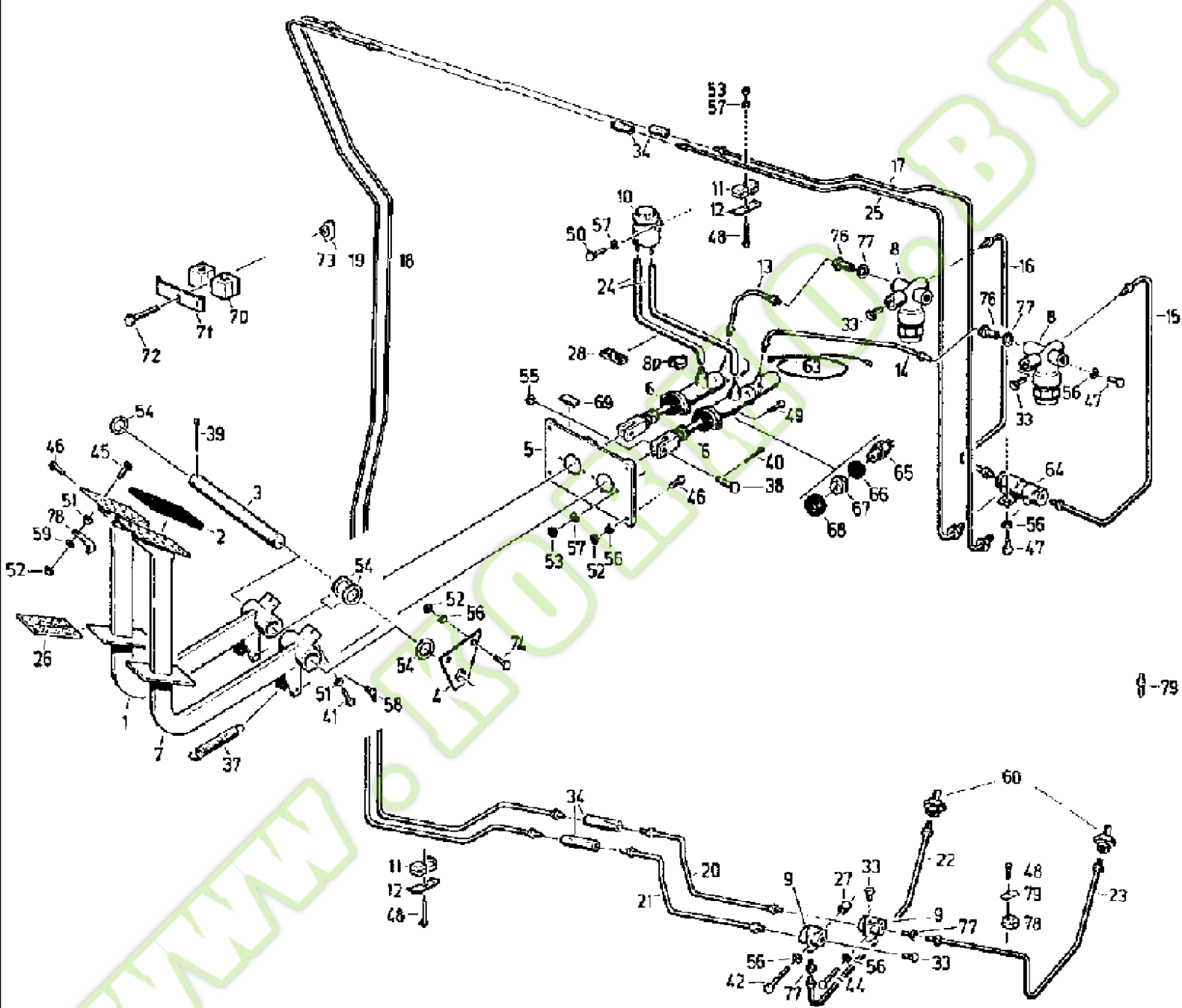


06-17 PEDAL BRAKE

Ref	Part Number	Qty	Description
1	4260691254	1	PEDAL,
2	4260691262	1	STEP, PLATE
3	4260691326	1	PIN, LARGE, SHAFT pedal
4	4260691342	1	BEARING, SHIELD end
5	4260691350	1	GUARD, PLATE intermediate
6	4260696708	1	CYLINDER, MASTER, brake, ZG 321
7	4260696716	1	ROD, Pressure, A 268
8	4032807157	2	PRESSURE LIMITER, LD 78
9	9914954856	4	DISTRIBUTOR, 7 M10 x 1
10	4254130448	1	CONTAINER,
11	4260696724	4	PROFILE, PIECE sectional, A 4
12	4250132445	2	SHEET, PLATE clamping
13	4260691287	1	BRAKE, tube
14	4260691270	1	BRAKE, tube
15	4260691295	2	BRAKE, tube
16	4260691301	1	BRAKE, tube
17	4260691318	1	BRAKE, tube
18	4260711444	1	BRAKE, tube
19	4260711452	1	BRAKE, tube
20	4260711460	1	BRAKE, tube
21	4260708360	1	BRAKE, tube
22	4260711477	1	BRAKE, tube
23	4260708971	1	BRAKE, tube
24	4260691334	2	HOSE,
25	4260696740	2	ADAPTER, screw neck, A 70
26	9970908232	2	GASKET, A12 x 15.5
26	9970908232	2	GASKET, A12 x 15.5
27	4260696757	2	SCREW, blind, A 98
28	9969946215	4	FITTING, pipe, 6 M10 x 1
29	4260696861	4	VALVE BLEEDER, screw, A 32
30	9020878410	4	FAIRING, LIGHT, CAP protecting, A 66
31	9974882652	1	SPRING, TENSION, A2, 8 x 30 x 16 Aa 2
32	9949863072	1	PIN, LARGE, BOLT, 10 h11 x 30 x 24
33	9963950627	4	PIN, SPLIT (COTTER), 6.3 x 40
34	9963949762	1	PIN, SPLIT (COTTER), 3.2 x 16
35	006334131	1	SCREW, hex, M8 x 45 -8.8
36	006341397	2	SCREW, hex, M8 x 30 -8.8
37	9933929173	1	SCREW, hex, M8 x 25 -8.8
38	9933959415	5	SCREW, hex, M8 x 22 -8.8
39	006340781	6	SCREW, hex, M8 x 16 -8.8
40	9933929797	2	SCREW, hex, M8 x 12 -8.8
41	9933929450	1	SCREW, hex, M6 x 30 -8.8
42	9933929161	2	SCREW, hex, M6 x 10 -8.8
43	9950896038	1	NUT, hex, M8 -05
44	006213830	11	NUT, hex, M8 -8

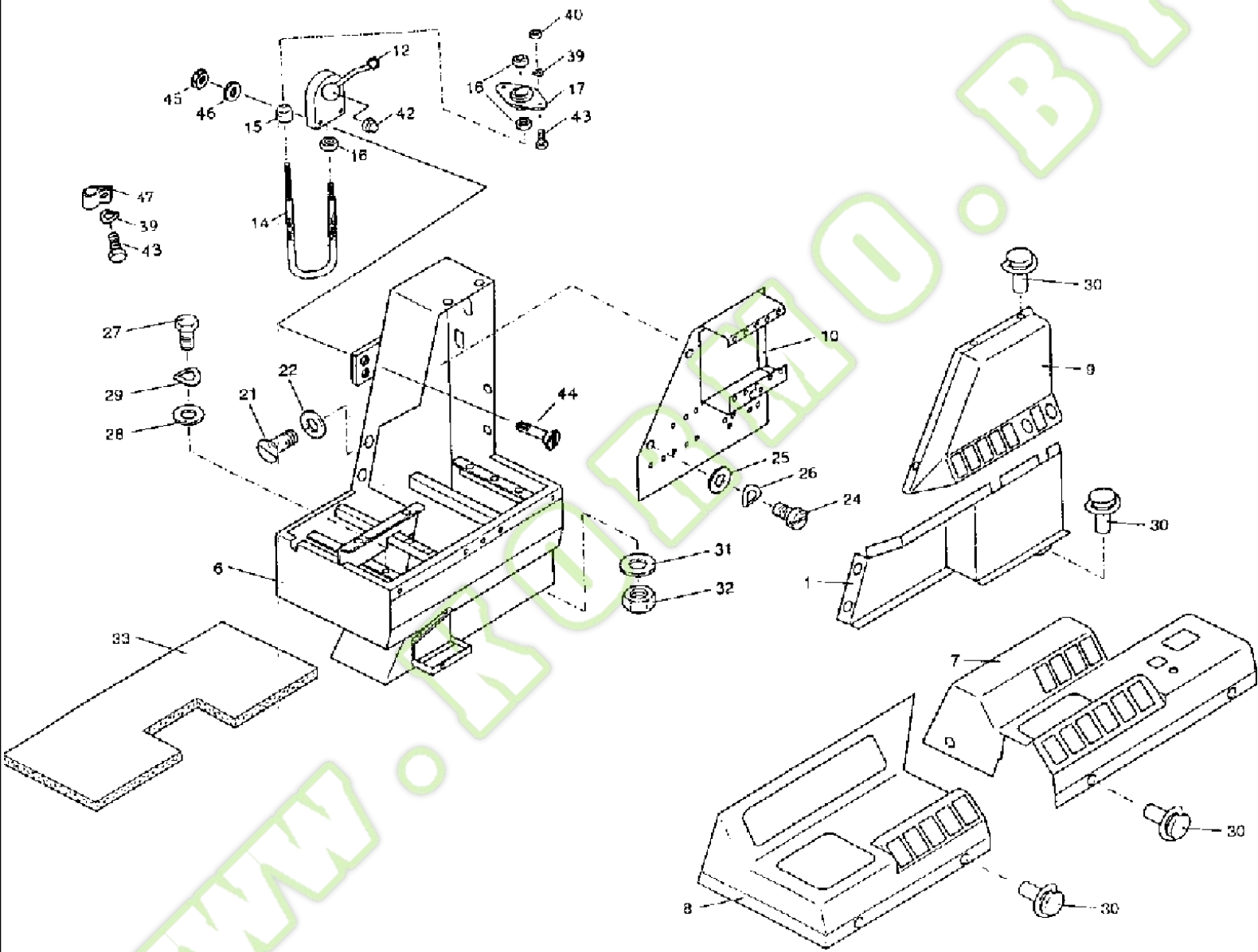
06-17 PEDAL BRAKE

Ref	Part Number	Qty	Description
45	006213734	1	NUT, hex, M6 -8
46	9960922876	4	WASHER, 26
47	9960923153	1	WASHER, 11
48	9961920061	17	WASHER, SPRING, B8
49	9961919927	4	WASHER, SPRING, B6
50	9920925515	1	NIPPLE, LUBE, BM 8 x 1
51	9933959987	1	SCREW, hex, M6 x 35 -8.8
52	4260707167	1	BRAKE, tube
53	4260707175	1	BRAKE, tube
54	9906866333	4	HOSE, brake
55	4260706736	4	BRAKE, CLAMP hose, A 52
56	4240026316	1	BUSHING,
57	9933930331	1	SCREW, hex, M8 x 40 -8.8
58	4260706592	4	FITTING, BOLT
59	9914059651	1	SWITCH, push-button, B
60	003781741	1	SEAL WASHER, UG 10
61	003781758	1	GUIDE, cap,UG 28
62	003781766	1	PLUG, bellows, SWE 30
63	060167988	1	PAD, RUBBER, plate



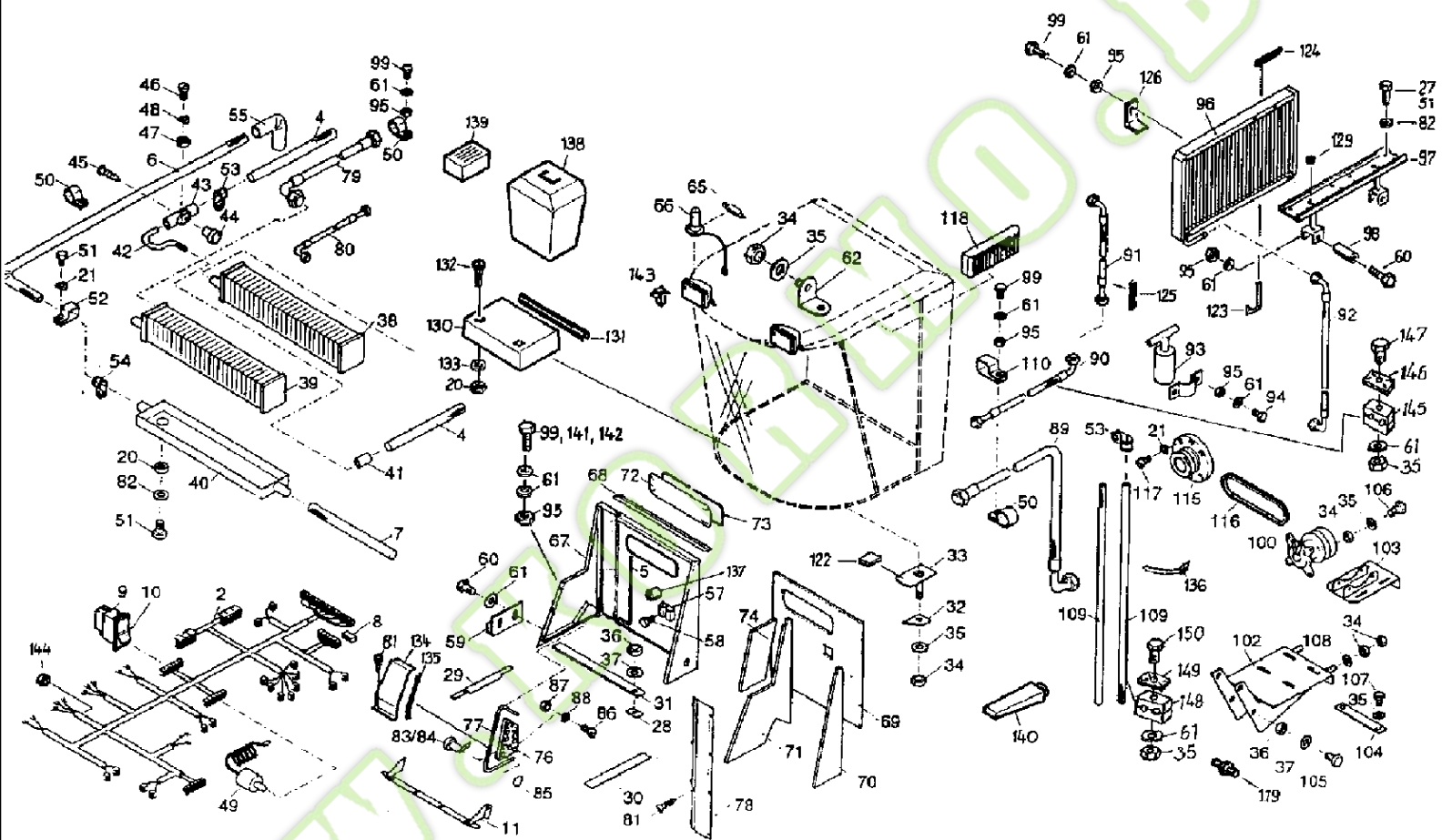
Ref	Part Number	Qty	Description
1	061017435	1	PEDAL,
2	060504570	2	LINING, pedal
3	4260691326	1	PIN, LARGE, SHAFT pedal
4	4260691342	1	BEARING, SHIELD end
5	4260709513	1	SUPPORT, PLATE retaining
6	4260704002	2	CYLINDER, MASTER, brake, BH 183
7	061017443	1	PEDAL,
8	4221654055	2	PRESSURE LIMITER,
9	9914954856	2	DISTRIBUTOR, 7 M10 x 1
10	4254130448	1	CONTAINER,
11	4260696724	4	PROFILE, FITTING pipe, A 4
12	4250132445	2	SHEET, PLATE clamping
13	061033556	1	BRAKE, pipe
14	061033523	1	BRAKE, pipe
15	061033548	1	BRAKE, pipe
16	061033531	1	BRAKE, pipe
17	060084077	1	BRAKE LINE, 4
18	4260711444	1	BRAKE, pipe
19	4260711452	1	BRAKE, pipe
20	060200033	1	BRAKE, pipe
21	060200035	1	BRAKE LINE,
22	061028710	1	BRAKE, pipe
23	060205126	1	BRAKE, pipe
24	061015337	2	HOSE,
25	060084052	1	BRAKE LINE, 3
26	061017507	2	JOINT, RUBBER, packing
27	4240026316	1	BUSHING,
28	060167988	1	PAD, RUBBER, plate
33	4260696757	2	SCREW, plug, A 98
34	9969946215	4	FITTING, pipe
37	9974882652	2	SPRING, TENSION, A2, 8 x 30 x 16 Aa2
38	9949863072	2	PIN, LARGE, BOLT, 10 h11 x 30 x 24
39	9963950627	4	PIN, SPLIT (COTTER), 6.3 x 40
40	9963949762	2	PIN, SPLIT (COTTER), 3.2 x 16
41	006334131	2	SCREW, hex, M8 x 45 -8.8
42	9933930331	1	SCREW, hex, M8 x 40 -8.8
44	9933929973	1	SCREW, hex, M8 x 25 -8.8
45	9941934681	1	SCREW, countersunk, M8 x 25 -5.8
46	9933959415	8	SCREW, hex, M8 x 22 -8.8
47	9933929797	3	SCREW, hex, M8 x 12 -8.8
48	9933929450	3	SCREW, hex, M6 x 30 -8.8
49	9930977163	4	SCREW, hex, M6 x 20 -8.8
50	9933929161	2	SCREW, hex, M6 x 10 -8.8
51	9950896038	3	NUT, hex, M8 -05
52	006213830	10	NUT, hex, M8 -8

Ref	Part Number	Qty	Description
53	006213734	5	NUT, hex, M6 -8
54	9960922876	4	WASHER, 26
55	9960923153	2	WASHER, 11
56	9961920061	13	WASHER, SPRING, B8
57	9961919927	7	WASHER, SPRING, B6
58	9920925515	2	NIPPLE, LUBE, BM 8 x 1
59	9960921633	2	WASHER, A8.4
60	060512386	2	ADAPTER, PIECE intermediate
63	021365130	1	CABLE,
64	060153322	1	VALVE, compensating
65	9914059651	2	SWITCH, push-button, B
66	003781774	2	BOOT, seal BH 16
67	003781782	2	BODY, VALVE, TZ 36
68	003781790	2	FAIRING, LIGHT, CAP dust, DZ 8
69	060166126	4	GASKET,
70	003799863	1	CIRCLIP, 106/06 P
71	006646291	1	COVER, plate
72	006335278	1	SCREW, hex, M6 x 35 -8.8
73	006646138	1	NUT, for T-slots, SM
74	060510882	2	BREATHER, VALVE bleed
76	060165736	2	ADAPTER, NECK screw
77	004101263	2	GASKET,
78	060150826	1	CIRCLIP, 106 PP
79	006646250	1	COVER, plate, DP1
80	060505563	2	CLAMP, hose



06-25 CONTROL PANEL

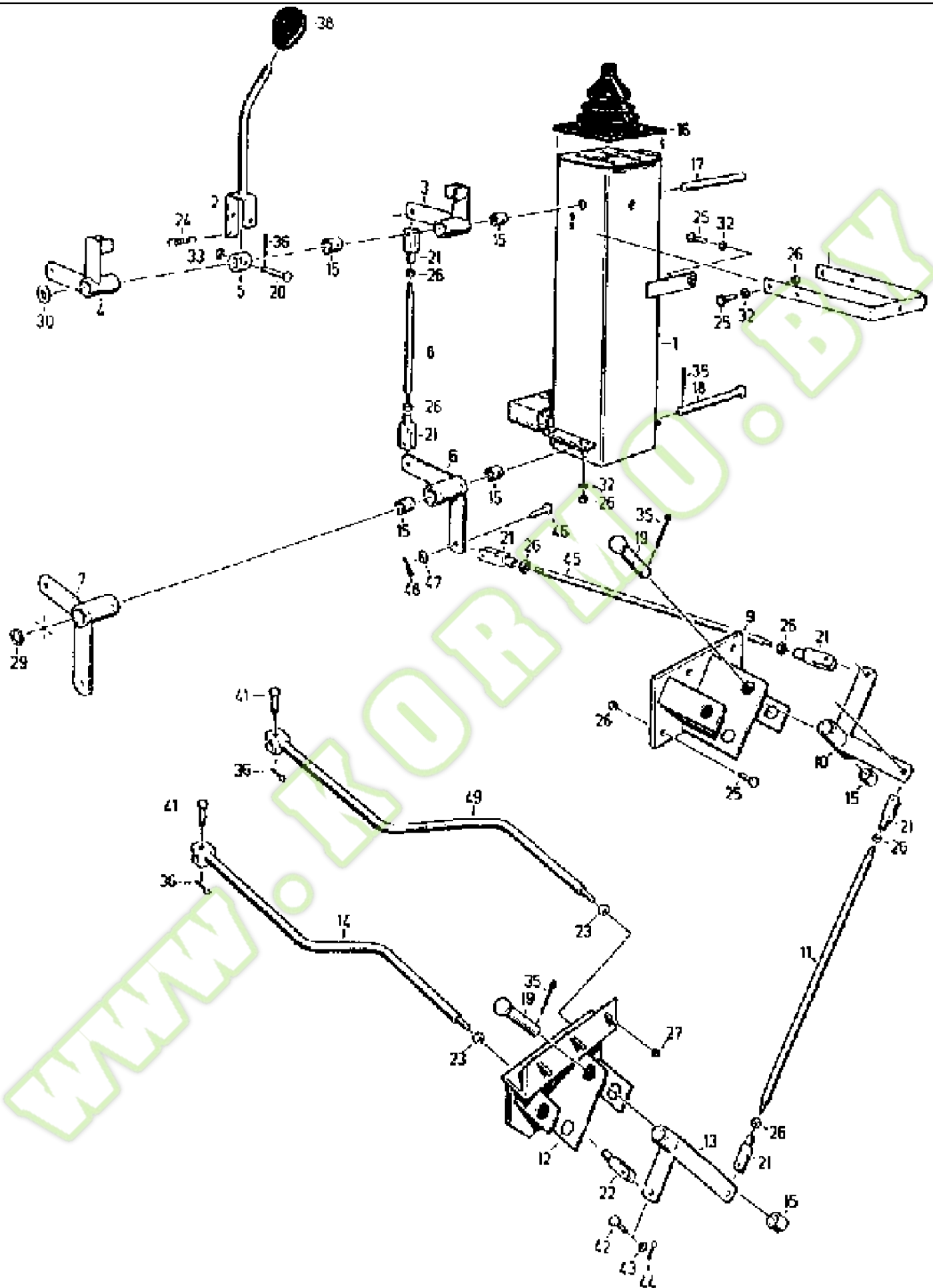
Ref	Part Number	Qty	Description
1	4260701200	1	COWL, covering
6	061008723	1	BRACKET, frame
7	061026838	1	PANEL, INSTRUMENTS,
8	061011052	1	PANEL, INSTRUMENTS, CONSOLE control
9	4260714914	1	FLAP,
10	061021206	1	CARRIER, tool
12	060506507	1	CONTROL, transmitter
14	060506523	1	SLIDE, CONTROL, lever
15	060506451	1	GROMMET, hose
16	060506468	3	NUT, hex, M10 x 1-8
17	060506476	1	BALL JOINT, and socket, KG 10
21	9940927273	6	SCREW, fillister-head, M5 x 10 -5.8
22	9960924058	8	DISC, A 5
24	9933929200	3	SCREW, hex, M6 x 12 -8.8
25	006510228	3	WASHER, B6.4
26	9961919927	3	WASHER, SPRING, B 6
27	006335606	4	SCREW, hex, M5 x 10 -8.8
28	9965962315	5	WASHER, B5.3
29	9961919902	4	WASHER, SPRING, B 5
30	003790478	13	BOLT, Panex
31	9961921673	4	WASHER, R9
32	006213830	4	NUT, hex, M 8 -8
33	061005376	1	MAT,
42	060505442	3	PLUG, hex cap
43	9933958471	6	SCREW, hex, M5 x 14 -8.8
44	060512425	2	SCREW, fillister-head, M6 x 35 -5.8
45	006213734	2	NUT, hex, M6 -8
46	006576010	2	WASHER, locking, VSF M 6
47	060503955	1	CLAMP,



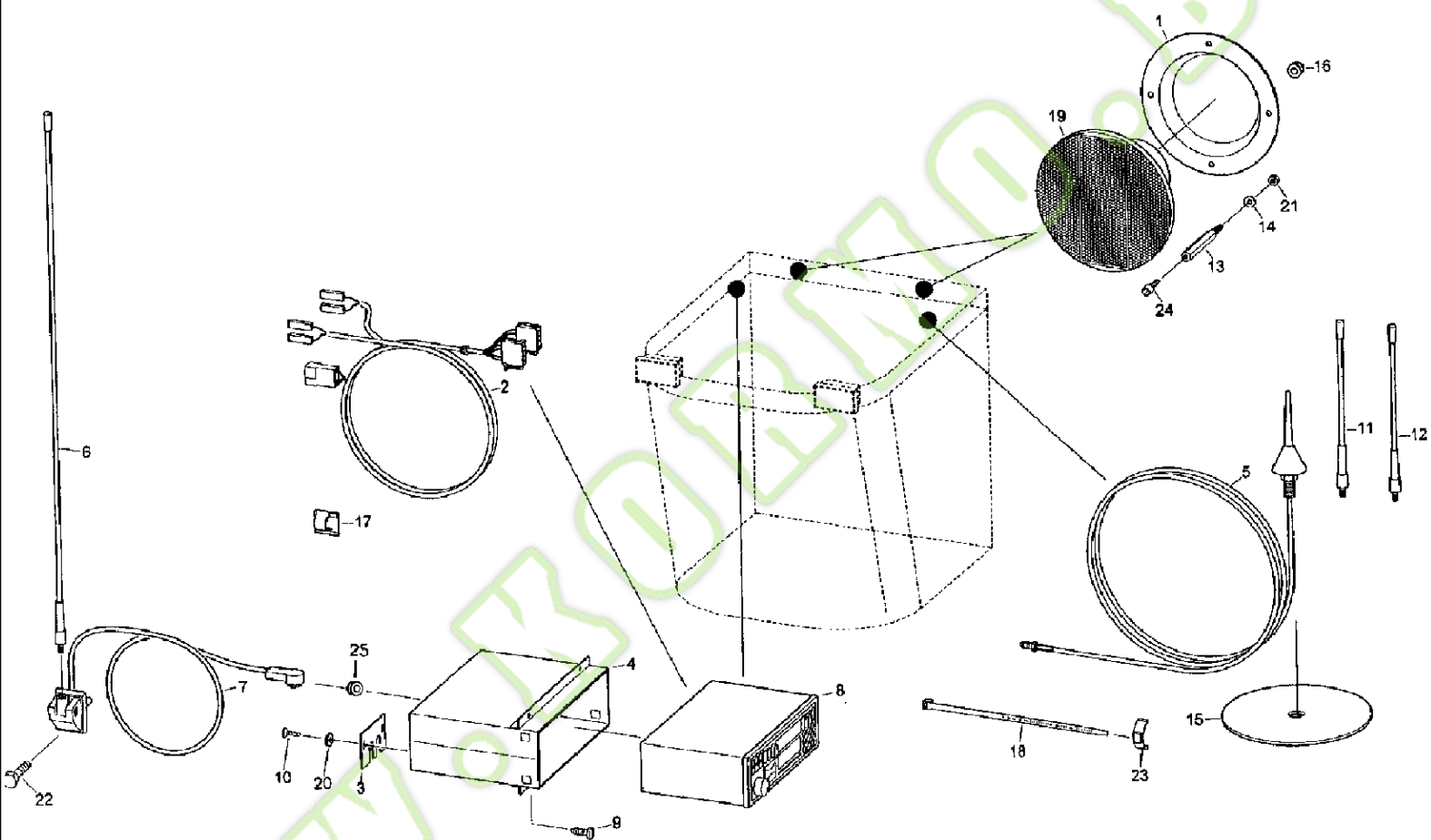
Ref	Part Number	Qty	Description
2	061037711	1	HARNES, TREE cable
4	061022006	2	HOSE, LARGE, H1
5	061022014	2	HOSE, WATER condensed, 1
6	061022022	1	HOSE, WATER condensed, 2
7	061022030	1	HOSE, WATER condensed, 3
8	060505434	1	RELAY, switch
9	060157793	1	SWITCH, toggle
10	060506347	1	INSERT, switch
11	061022168	1	SUPPORT, back rest
20	006213734	2	NUT, hex, M6 -8
21	9961919927	9	WASHER, SPRING, SPARING plate, B 6
27	006338713	2	SCREW, hex, M6 x 25 -8.8
28	061022850	1	REINFORCEMENT,
29	061022867	1	STRIP, SEALING, packing, g
30	061022176	1	STRIP, SEALING, packing, f
31	061022184	1	SECURING BAND, STRIP packing
32	061018686	2	SHEET, IRON spacer sheet
33	061020318	2	CLASP,
34	006213935	11	NUT, hex, M10 -8
35	9999853094	11	PLATE, LOCKING, WASHER, VSF M 10
36	006214140	4	NUT, hex, M12 -8
37	9999853125	4	PLATE, LOCKING, WASHER, VSF M 12
38	060505450	1	HEAT-EXCHANGER,
39	060505467	1	EVAPORATOR,
40	060505475	1	PAN, water
41	060505483	1	ADAPTER, piece
42	060505491	1	RUBBER SLEEVE, PIECE form
43	060505506	1	COCK, regulating
44	060505514	2	BUTTON,
45	060500003	1	SCREW, metal, 4.8 x 38
46	9936984727	1	SCREW, cylinder, M4 x 20 -5.8
47	9950895496	1	NUT, hex, M4 -8
48	9961919896	1	WASHER, SPRING, B4
49	060505522	1	THERMOSTAT,
50	060505395	7	CLAMP, pipe, 19-32
51	9930977163	11	SCREW, hex, M6 x 20 -8.8
52	060505547	1	CLAMP,
53	9908952610	6	CLAMP, BINDER hose, AL 16-27
54	060505563	2	CLAMP, BINDER hose, AL 12-22
55	060505571	2	HOSE, LARGE, PIECE connecting, WS 14
57	060505998	1	CONTAINER,
58	9933929450	3	SCREW, hex, M6 x 30 -8.8
59	061023152	1	LANDSIDE, ANGLE attachment
60	006303592	2	SCREW, hex, M8 x 65 -8.8
61	9999853117	60	PLATE, LOCKING, WASHER, VSF M 8

Ref	Part Number	Qty	Description
62	061024354	1	ANGLE, holding
65	060506330	1	BULB, incandescent, K-24V/10W
66	9019876492	2	LIGHT, halogen
67	060197848	1	COVER, REAR, wall
68	060198326	1	SEAL, packing
69	060197807	1	PARTITION, ELEMENT
70	061019574	1	PARTITION, ELEMENT, f
71	061019582	1	PARTITION, ELEMENT, g
72	4240044350	1	GLASS, CAB, rear window
73	4254135557	1	BUFFER, RUBBER, support
74	061022842	1	PLATE, STEEL, ELEMENT wall, g
76	061019638	1	PIN, ELECT TERMINAL, connector
77	061019646	1	SEAL, packing
78	061021817	1	COVER, PROTECTIVE, plate
79	061021841	1	HOSE ASSY., AGENT cooling, NDG
80	061021858	1	HOSE, FLEXIBLE, AGENT cooling, HDF
81	9944989555	9	SCREW, metal, 4.2 x 13
82	9999853100	12	PLATE, LOCKING, WASHER, VSF M 6
83	060503135	1	HOUSING,
84	060505401	1	LATCH,
85	4240025790	1	COVER,
86	060520827	32	SCREW, hex, M3 x 12 -5.8
87	9950894093	32	NUT, hex, M3 -8
88	9961966966	32	WASHER, SPRING, B3
89	061023257	1	HOSE, AGENT cooling, NDG
90	061023265	1	HOSE, AGENT cooling, HDF
91	061023273	1	HOSE, AGENT cooling, HDF
92	061023281	1	HOSE, AGENT cooling, HDG
93	060506138	1	FILTER, dryer
94	006340781	2	SCREW, hex, M8 x 16 -8.8
95	006213830	35	NUT, hex, M8 -8
96	060508357	1	CONDENSER,
97	060197622	1	SUPPORT, COMPONENT holding
98	061026678	1	SLEEVE,
99	9933930001	23	SCREW, hex, M8 x 20 -8.8
100	060506146	1	COMPRESSOR,
102	060094062	1	BRACKET, console
103	060094101	1	SUPPORT, poppet
104	060094142	2	SHAFT, SHORT, PLATE thread
105	9933932245	4	SCREW, hex, M12 x 50 -8.8
106	9933931123	4	SCREW, hex, M10 x 30 -8.8
107	006344037	4	SCREW, hex, M10 x 25 -8.8
108	9960921787	2	WASHER, A 10.5
109	060198078	2	HOSE, LARGE, HKM
110	060506154	4	CLAMP, pipe, 25-25

Ref	Part Number	Qty	Description
115	060167625	1	GROOVED PULLEY, V-belt
116	060500044	1	BELTS, SET OF 2, set V, 2A x 1000
117	006278942	6	SCREW, cylinder, M6 x 16 -10.9
118	060152321	2	FILTER, cartridge
119	060502407	2	SUPPORT, nipple
122	061029190	2	BLOCK,
123	061031907	1	ARM, suspension
124	061027445	1	STRIP, PROTECTION, edge
125	061027453	2	STRIP, PROTECTION, edge
126	061026686	1	LANDSIDE, ANGLE bearing
129	060505354	2	GROMMET, PASSAGE rubber
130	060198295	1	PAN,
131	060198301	2	PROFILE,
132	060512884	2	SCREW, flat-round-head, M6 x 50 -8.8
133	006576010	2	WASHER, locking, VSF M 6
134	060198318	1	COWL,
135	060198174	1	PROFILE,
136	060505530	30	CLAMP, TIE cable
137	061028108	3	SLEEVE,
138	060512892	1	COOLER ASSY., BOX refrigerating
138	060512892	1	COOLER ASSY., BOX refrigerating
139	060518158	1	TRANSFORMER, IMPLEMENT reduction
140	060512907	1	ARMREST, f
141	006334437	1	SCREW, hex, M8 x 40 -8.8
142	060519448	1	SCREW, hex, M8 x 55 -8.8
143	060172093	14	CLAMP, ARMATURE expansion
144	001147543	4	GROMMET, cable, A10 x 4
145	060524902	2	CLAMP, pipe, 432/417 PPH
146	060524910	2	COVER, plate, GD 4 D
147	9932959352	2	SCREW, hex, M8 x 70 -8.8
148	060524927	2	CLAMP, double, 325/25
149	060524935	2	COVER, plate, GD 3 D
150	9932930478	2	SCREW, hex, M8 x 60 -8.8

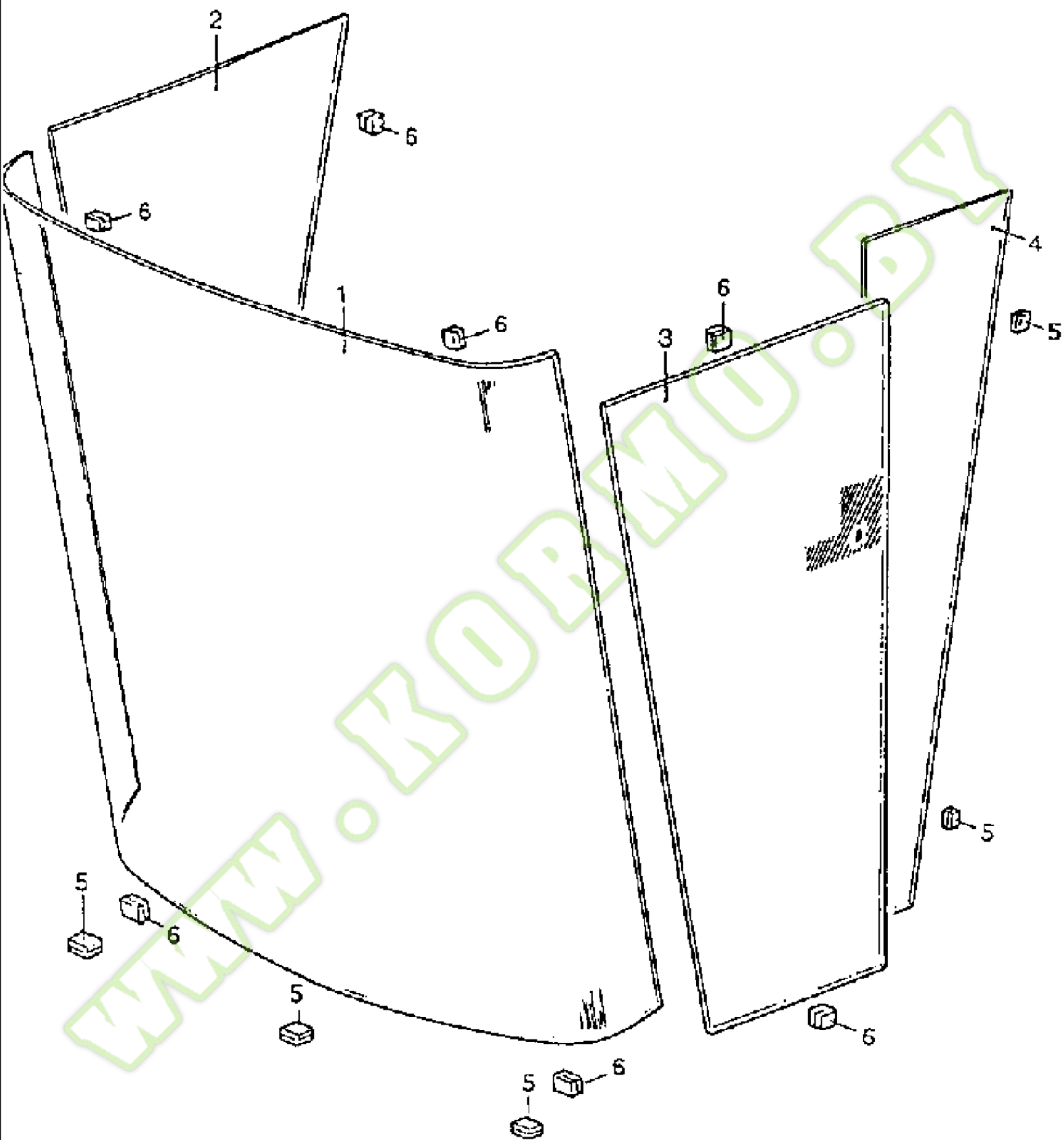


Ref	Part Number	Qty	Description
1	060199712	1	STANCHION, pillar
2	060194958	1	SPEED CHANGE LEVER,
3	060199745	1	LEVER,
4	060199778	1	LEVER,
5	4260696146	1	RING,
6	060199800	1	LEVER,
7	060199825	1	LEVER,
8	061029045	2	ROD,
9	061028897	1	RETAINER,
10	061028880	2	LEVER,
11	061028977	2	ROD,
12	061028952	1	RETAINER,
13	061028936	2	LEVER,
14	060194982	1	ROD,
15	4240030193	16	BUSHING,
16	061037664	1	BELLOWS,
17	060069631	1	PIN, LARGE, BOLT
18	9949864957	1	PIN, LARGE, BOLT, B16 h11 x 110 x 104
19	9949864965	4	PIN, LARGE, BOLT, B16 h11x 65 x 59
20	9949862971	1	PIN, LARGE, BOLT, B6 h11 x 45 x 40
21	9969883265	12	CRADLE, head, G8 x 32
22	9969883232	2	CRADLE, head, G10 x 40
23	006213935	2	NUT, hex, M 10 -8
24	006735493	1	SPRING, TENSION, B1, 2 x 13 x 10 Aa 2
25	9933930001	9	SCREW, hex, M8 x 20 -8.8
26	006213830	12	NUT, hex, M8 -8
27	003792053	17	NUT, hex, VM8 -8
29	003784455	1	WASHER, 17
30	006624703		WASHER, precision, n.B., 16 x 22 x 0.5
32	9999853158	8	PLATE, LOCKING, VSF B 8
33	9960919856	1	WASHER, 6.6
35	006402361	5	PIN, SPLIT (COTTER), 4 x 25
36	9963949297	2	PIN, SPLIT (COTTER), 1.6 x 12
38	001320315	1	KNOB,BALL, handle, C 50 FS
41	060150256	2	PIN, LARGE, BOLT, B6 h11 x 35 x 31
42	9949863072	2	PIN, LARGE, BOLT, B10 h11 x 30 x 24
43	9960921787	2	WASHER, A 10.5
44	003780113	2	PIN, SPLIT (COTTER), 3.2 x 22
45	060199874	2	ROD,
46	9949864973	10	PIN, LARGE, BOLT, B8 h11 x 25 x 20
47	9960921633	10	WASHER, A 8.4
48	9963949336	10	PIN, SPLIT (COTTER), 2 x 12
49	060207755	1	ROD,



06-39 RADIO, RADIOPHONE

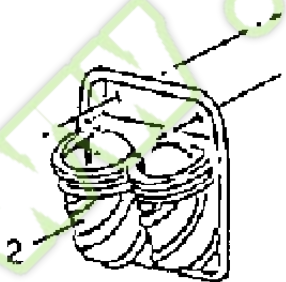
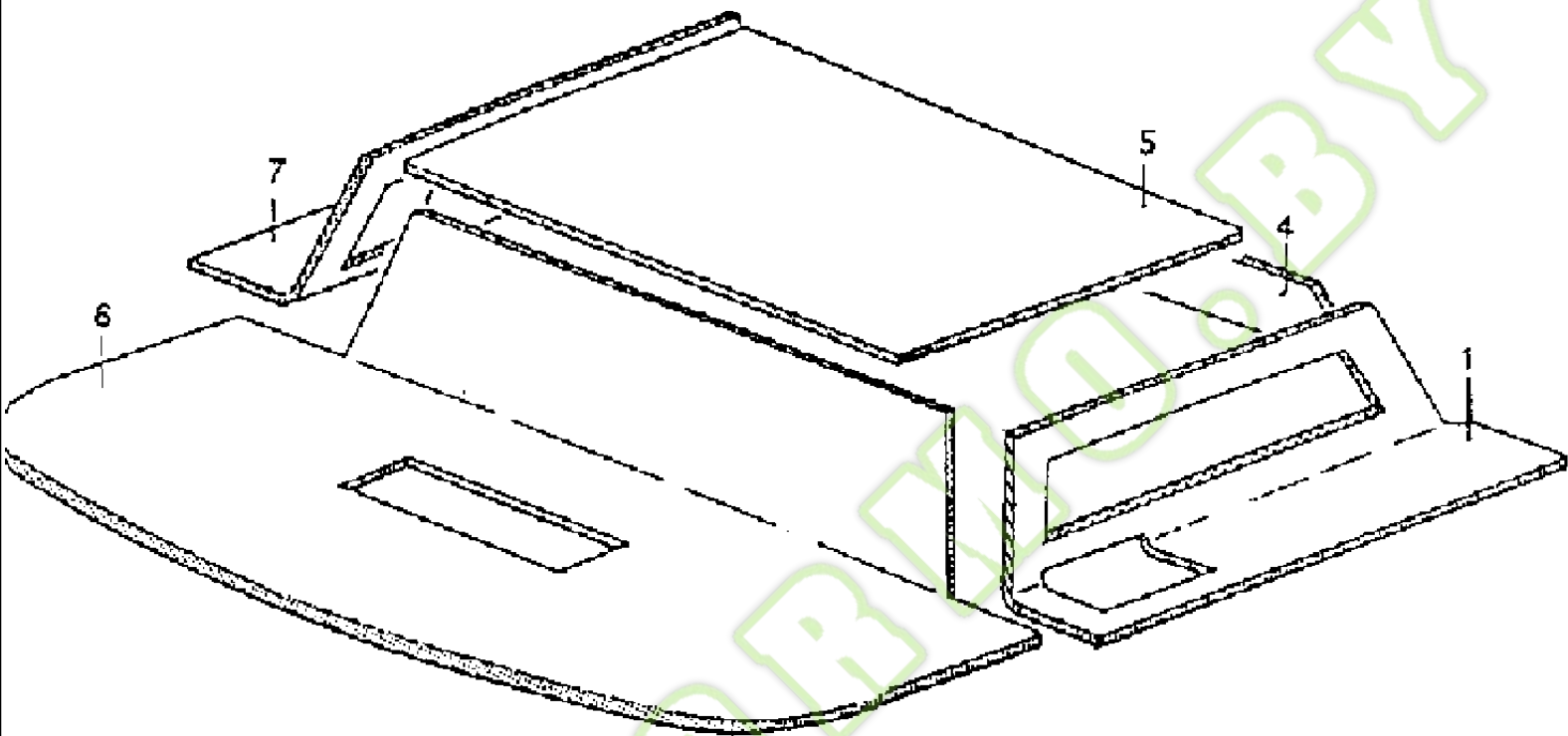
Ref	Part Number	Qty	Description
1	061033603	2	COVER, PROTECTIVE,
2	061051373	1	CONNECTOR, TERMINAL, line
3	061051365	1	COVER,
4	061037158	1	CASE,
5	060513475	1	ANTENNA,
6	060527456	1	ANTENNA,
7	060513803	1	HOLDER, antenna
8	060513844	1	RADIO,
9	9937939272	4	SCREW, plate, ST4.2 x 9.5
10	060503311	2	SCREW, plate, ST2.9 x 6.5
11	060513828	1	ANTENNA,
12	060513811	1	ANTENNA,
13	060514187	8	PIN, LARGE, BOLT spacer, DA7 - M4 x 25
14	9961919896	8	WASHER, SPRING, B 4
15	060513483	1	WEIGHT, counter
16	9972876920	2	GROMMET, cable, A8 x 2.5
17	9019059944	6	CLIP, CABLE, ACC38-A-20
18	060152467	3	CABLE, tie
19	060513852	1	SPEAKER, loud
20	9960919823	2	WASHER, A3.2
21	9950895496	8	NUT, hex, M4 -8
22	9933929161	1	SCREW, hex, M6 x 10 -8.8
23	060172093	3	CLAMP, ARMATURE expansion
24	006001885	8	SCREW, cheese-head, M4 x 12 -4.8
25	060514154	1	CABLE ASSY., grommet



06-41 CAB WINDOW PANES

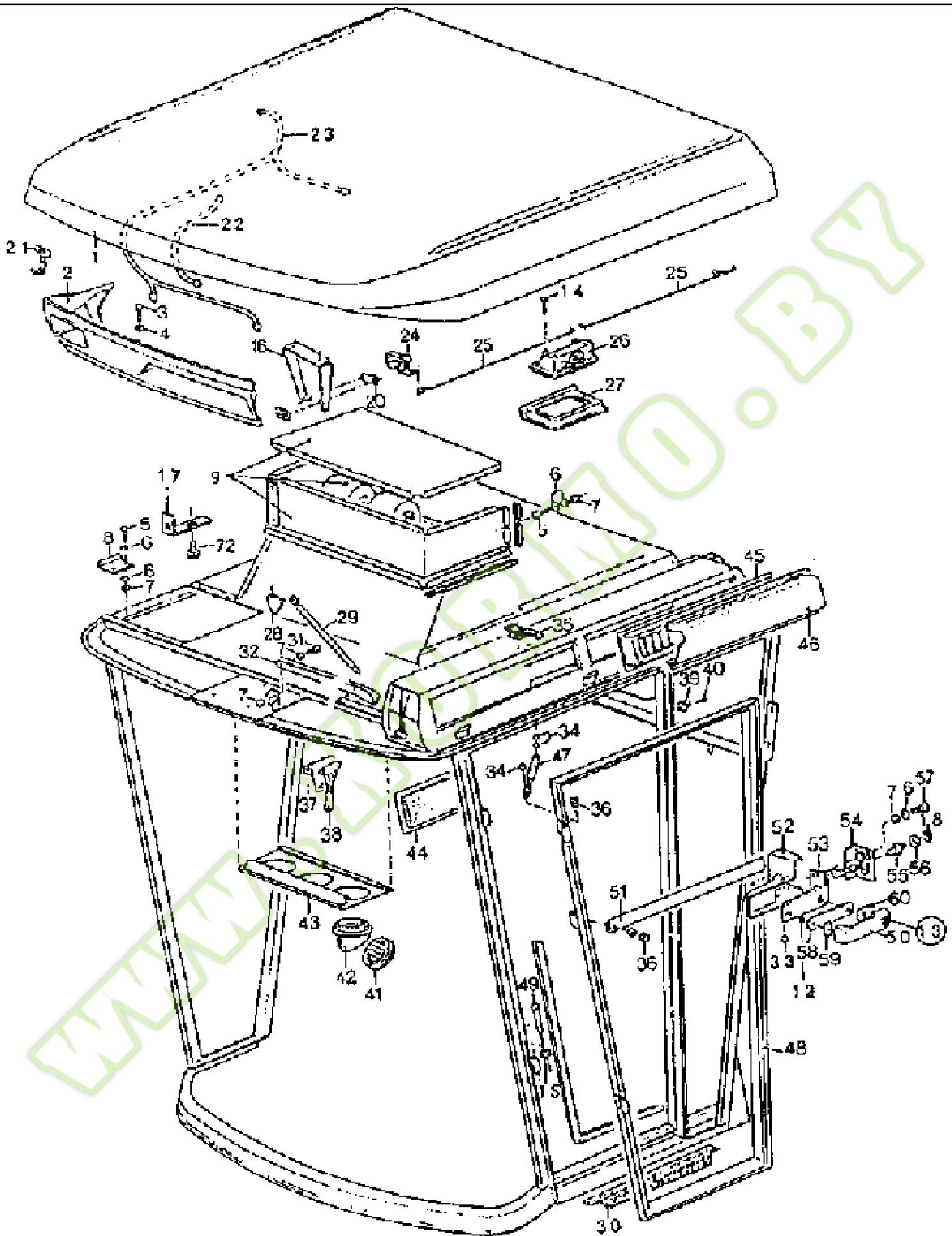
Ref	Part Number	Qty	Description
1	060509028	1	WINDSHIELD, front
2	060509036	1	GLASS, CAB, PANE side, g
3	060509044	1	GLASS, PANE door
4	060509052	1	GLASS, PANE side, f
5	03245703		PLUG, n.B.
6	03245752	19	PLUG,

WWW.KORMO.BY



Ref	Part Number	Qty	Description
1	03245808	1	INSULATOR, RUBBER,
2	03245857	1	SUPPORT,
4	03245904	1	INSULATOR, RUBBER,
5	03245953	1	INSULATOR, RUBBER,
6	03246005	1	INSULATOR, RUBBER,
7	03246054	1	INSULATOR, RUBBER,

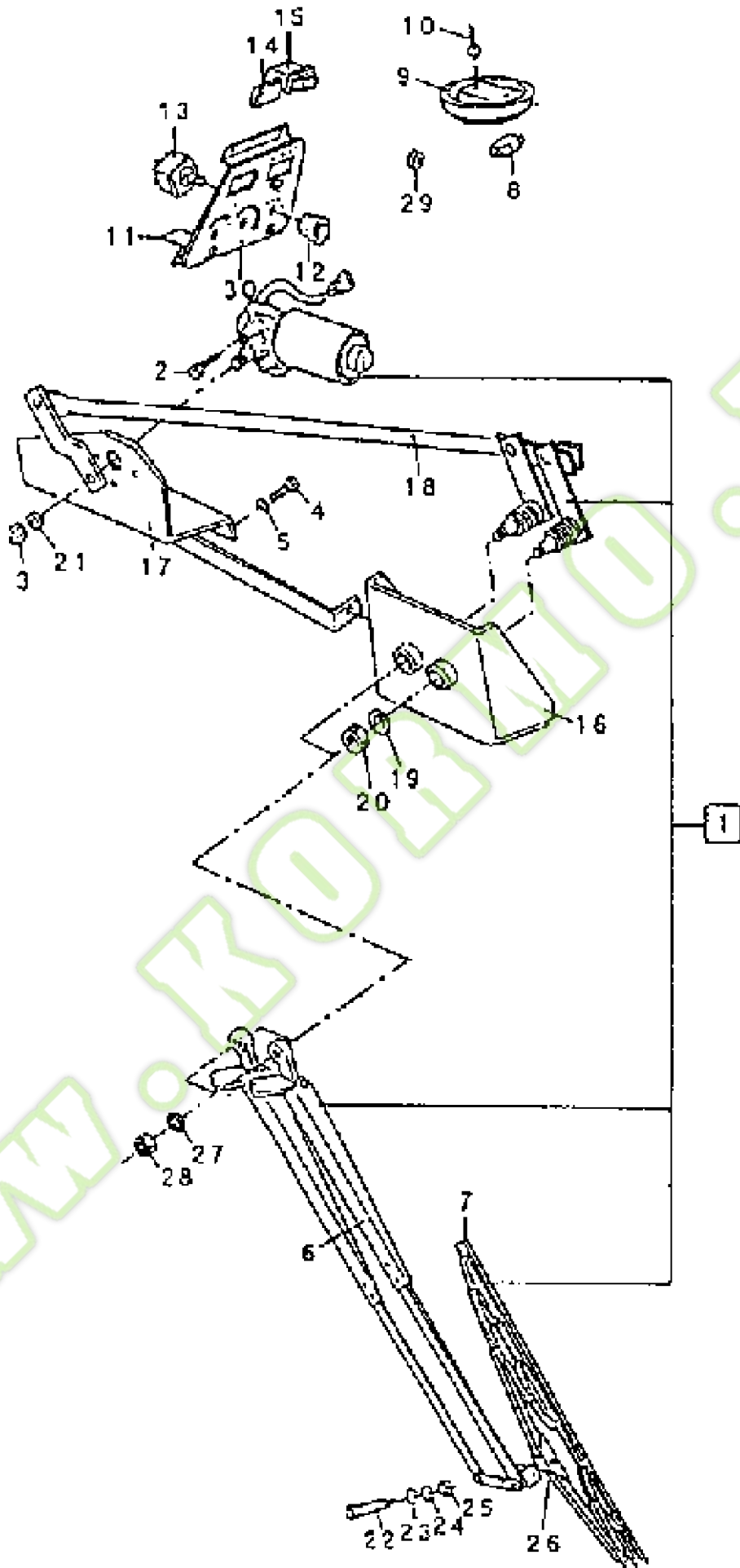
WWW.KORMO.BY



Ref	Part Number	Qty	Description
1	03245664	1	ROOF, cab
2	03245672	1	COVER, front
3	614-6010	12	BOLT, Hex, M6 x 10, 8.8, Full Thd, hex, M6 x 10 -8.8
4	9961921593	5	WASHER, 6.6 x 22 x 2
5	614-8020	14	BOLT, Hex, M8 x 20, 8.8, hex, M8 x 20 -8.8
6	9962924224	10	WASHER, 8.4
7	825-1408	15	NUT, M8, CI 8,
8	03245680	2	HINGE,
9	03245697	1	VENTILATOR, blower
12	03246296	1	RING, bush
13	03246302	1	KEY, IGNITION, code 1008
13	03246310	1	KEY, IGNITION, code 201
14	614-6010	4	BOLT, Hex, M6 x 10, 8.8, Full Thd, hex, M6 x 10 -8.8
15	03246327	2	SHIN, HOSE clamp
16	03245711	1	SUPPORT,
17	03245728	2	STIRRUP, bracket
18	234328N0	1	DISC, 13 x 26 x 3
20	03245736	2	STOP,
21	03245744		SHEET, STRAP retaining, n.B.
22	03245760	1	HARNESS, assy, wiring
23	03245777	1	HARNESS, CABLE electric
24	03246335	1	LOCK, door, l.h.
24	03246343	1	LOCK, door, r.h.
25	03245785	2	STEM,
26	03245793	1	HANDLE, BRAKE hand
27	03245816	1	HANDLE, cover
28	03245824	1	SUPPORT,
29	03245832	2	CYLINDER ASSY., ABSORBER shock
30	03245840	1	SHIELD,
31	614-8045	2	BOLT, Hex, M8 x 45, 8.8, Full Thd, hex, M8 x 45 -8.8
32	03245865	2	LEVER,
33	03245873	5	PLUG,
34	03245881	7	RING, bearing, camshaft
35	03245898	4	LATCH,
36	03245912	3	PLUG,
37	03245920	1	FIXING BRACKET, HOSE clamp
38	03245937	1	HAMMER,
39	03245945	1	HOOK,
40	003795771	1	SCREW, plate
41	03245961	3	DEFLECTOR,
42	03245978	3	COVER, FLANGE cap
43	03245986	1	SUPPORT,
44	03245994	1	FILTER, assy
45	060152321	2	FILTER, assy
46	03246013	1	COVER,

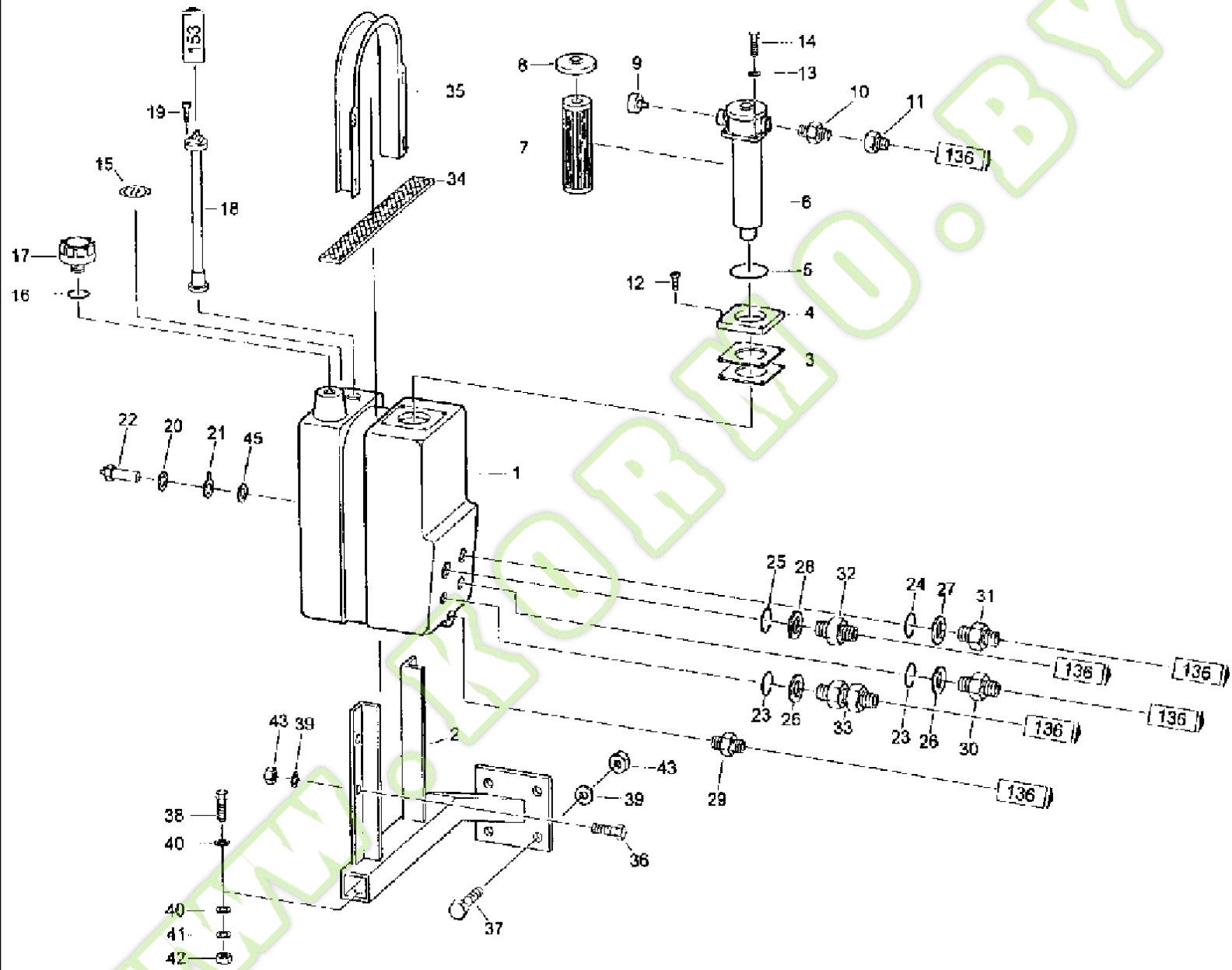
Ref	Part Number	Qty	Description
47	03246021	1	CYLINDER ASSY., ABSORBER shock
48	03246038	1	CABIN DOOR,
50	03246046	1	HANDLE,
51	03246062	1	TUBE,
52	03246070	1	COVER,
53	03246087	1	SUPPORT,
54	03246095	1	LOCK ASSY,
55	03246101	1	STOP,
56	825-1408	1	NUT, M8, CI 8,
57	614-8040	2	BOLT, Hex, M8 x 40, 8.8, Full Thd, hex, M8 x 40, 8.8, full thd
58	03246118	1	GASKET,
59	03246126	1	GASKET,
60	03246134	1	GASKET,

WWW.KORMO.BY



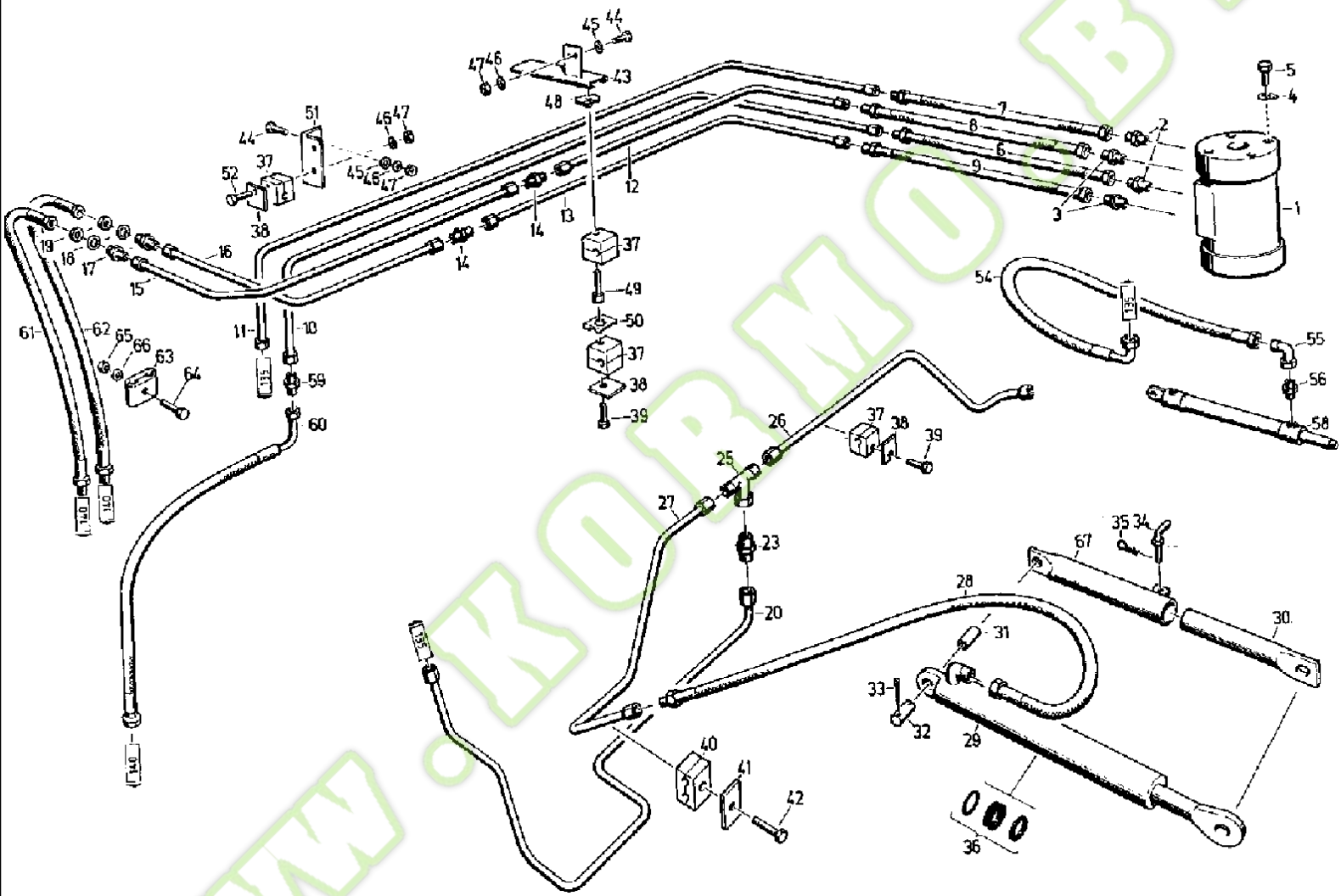
06-49 WINDSCREEN WIPER

Ref	Part Number	Qty	Description
1	03246142	1	WIPER MOTOR, kit
2	614-6020	3	BOLT, Hex, M6 x 20, 8.8, hex, M6 x 20
3	825-1408	1	NUT, M8, CI 8,
4	614-8020	2	BOLT, Hex, M8 x 20, 8.8, hex, M8 x 20 -8.8
5	9961920100	2	WASHER, SPRING, B18
6	03246150	2	WIPER ARM, assy. 1m
7	03246167	1	BLADE, WIPER, windshield
8	060506330	1	BULB, 24V, max 10W
9	03246175	1	HEADLIGHT, assy
10	9936939152	2	SCREW, cylinder-head, M4 x 16
11	03246183	1	SUPPORT,
12	03246191	1	END FITTING, KNOB
13	03246206	1	SWITCH,
14	03246214	1	PLUG,
15	03246222	1	SWITCH,
16	03246230	1	SUPPORT,
17	03246247	1	SUPPORT,
18	03246255	1	LEVER,
19	9961911212	2	WASHER, LOCK, spring, A 12
20	829-1412	1	NUT, M12, CI 10, hex, M 12
21	9961910976	1	SPRING, ring, A 8
22	614-4020	1	BOLT, Hex, M4 x 20, 8.8, Full Thd,
23	9961919888	1	WASHER, SPRING, B 4
24	9961910613	1	WASHER, LOCK, spring, A 4
25	825-1404	1	NUT, M4, CI 8,
26	03246288	1	SUPPORT, ELEMENT sealing
27	9961911085	2	WASHER, LOCK, spring, A10
28	825-1410	2	NUT, M10, CI 8,
29	03246263		RING, BUSH rubber, n.B.
30	03246271	1	DECAL,



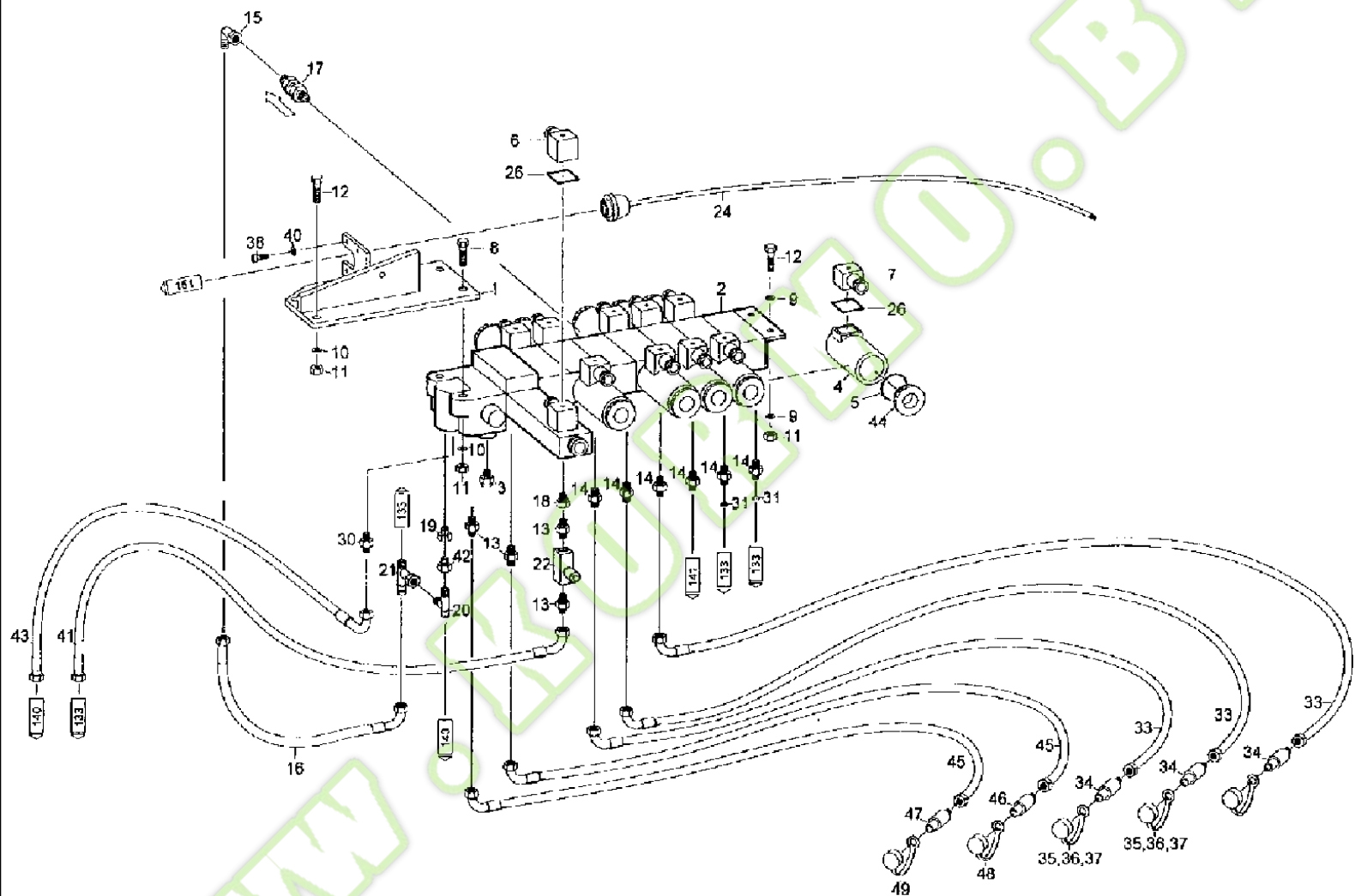
07-03 OIL TANK

Ref	Part Number	Qty	Description
1	061051461	1	TANK, pa-50 l
2	060142207	1	FRAME,
3	061052116	2	GASKET, flat
4	061052108	1	ADAPTION, nipple
5	060527087	1	O-RING, 88 x 3
6	061051654	1	FILTER, return
7	060526945	1	FILTER, ELEMENT, 320
8	060527062	1	COVER, locking
9	060527095	1	INDICATOR, MONITORING contamination
10	003781243	1	ADAPTER, male-end, GE35-LR
11	060529755	1	FITTING, G-type, RED35/22-L
12	9937939030	4	SCREW, cheese-head, M10 x 25
13	9999853117	4	PLATE, LOCKING, WASHER, VSF M 8
14	9933929715	4	SCREW, hex, M8 x 18
15	072052074	1	ADHESIVE,
16	9907916118	1	O-RING, 22 x 5
17	072052780	1	FILTER ventilation, TBF
18	060512835	1	SHARE, LARGE, SWITCH float
19	060526793	3	SCREW, cheese-head, M5 x 20
20	9970908312	1	GASKET, A14 x 18 VF
21	061051687	1	CONNECTION, earth
22	060511408	1	SWITCH, temperature, 92 C
23	9907915455	2	O-RING, 40 x 3
24	060526648	1	O-RING, 50 x 3
25	9907915584	1	O-RING, 56 x 3
26	061051566	2	RING, 22-L
27	061051574	1	RING, 28-L
28	061051582	1	RING, 35-L
29	003784961	1	ADAPTER, screwing, GE 18-LM
30	003433475	1	ADAPTER, screwing, GE 22-LM
31	060515276	1	ADAPTER, screwing, GE 28-LM
32	003433418	1	ADAPTER, screwing, GE 35-LM
33	060515251	1	VALVE, CHECK, non-return
34	061051701	1	BAND, STRIP rubber
35	061051494	1	ANCHOR, fastening
36	9933930001	4	SCREW, hex, M8 x 20 -8.8
37	006340781	4	SCREW, hex, M8 x 16 -8.8
38	006344037	1	SCREW, hex, M10 x 25 -8.8
39	9999853117	8	PLATE, LOCKING, WASHER, VSF M 8
40	4221620616	2	WASHER,
41	9999853094	1	PLATE, LOCKING, WASHER, VSF M 10
42	006213935	1	NUT, hex, M 10
43	006213830	8	NUT, hex, M 8
44	007067064	1	CLAMP, cable
45	072072166	1	SEALRING, flat

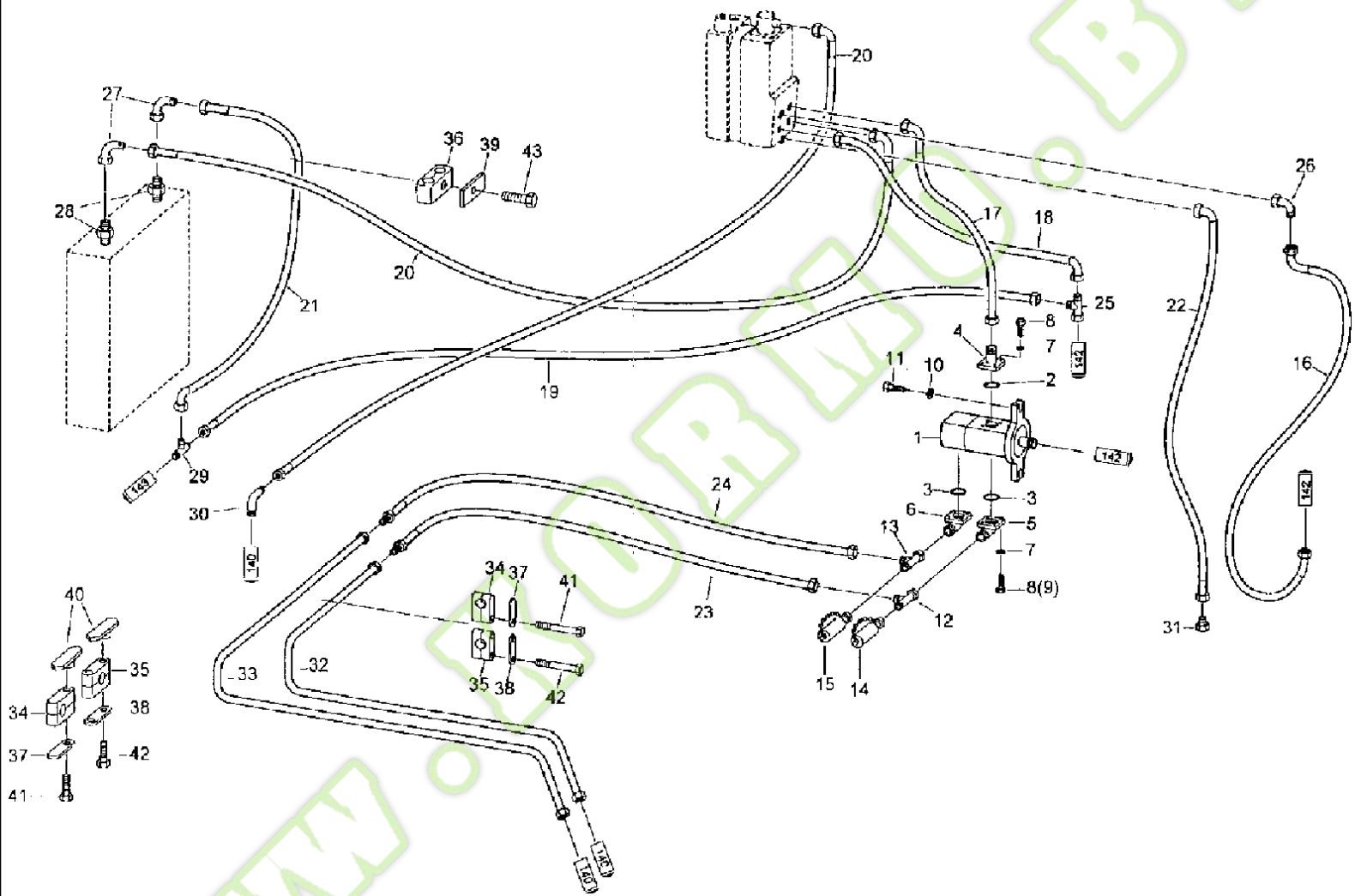


Ref	Part Number	Qty	Description
1	060202131	1	VALVE, steering assy., OSPC 80 ON
2	003791663	2	ADAPTER, male-end, GE 12-L/R1/2-ED/OMD
3	9969059404	2	ADAPTER, male-end, GE 12-S/R1/2-ED/OMD
4	9962923578	4	PLATE, LOCKING, WASHER, 10.5
5	9933929065	4	SCREW, hex, M10 x 20 -8.8
6	003793825	1	HOSE, PHD 110 x 560 AFL HL
7	003793817	1	HOSE, PHD 110 x 450 AFL HL
8	003793794	1	HOSE, PHD 208 x 450 AFS HS
9	003793800	1	HOSE, PHD 208 x 560 AFS HS
10	4260715995	1	TUBE ASSY., D 2.5
11	060207345	1	TUBE ASSY., R 9
12	4260716014	1	TUBE ASSY., LL 1
13	4260716047	1	TUBE ASSY., LR 1
14	003606342	2	UNION, XG 12 - S
15	4260716022	1	TUBE ASSY., LL2
16	4260716030	1	TUBE ASSY., LR 2
17	003433797	2	UNION, XSV 12 - S
18	9965921372	2	WASHER, 22 x 36 x 5
19	003433346	2	NUT, lock, GM 12 - S
20	060202107	1	TUBE ASSY., HV 1
23	003432595	1	FITTING, G12-L
25	4240030868	1	CONNECTOR, HYD., T-fitting, ET 12-L/OMD
26	4260716063	1	TUBE ASSY., HV 2
27	4260716071	1	TUBE ASSY., HV 3
28	003793833	2	HOSE, PHD 110 x 1000 AFL HL
29	060179202	2	CYLINDER, HYDR.
30	4240023772	2	ROD, barre
31	4240023780	4	BUSHING,
32	4240023797	4	PIN, LARGE, BOLT
33	9963950828	8	PIN, SPLIT (COTTER), 8 x 50
34	9928939634	2	PIN, SPLIT (COTTER), BOLT handle, 30 x 70
35	9928939193	2	PIN, ROLL, hair cotter
36	003781364	1	KIT, GASKET,
37	006646267	7	CIRCLIP, body, 112 PP
38	006646250	5	COVER, plate, DP 1
39	9933929450	3	SCREW, hex, M6 x 30 -8.8
40	006646218	1	CIRCLIP, body, 112/12 PP
41	006646291	1	COVER, plate, GD 1 D
42	9933959987	1	SCREW, hex, M6 x 35 -8.8
43	4260716192	1	BLOCK, SUPPORT pipe, 6
44	9930977163	4	SCREW, hex, M6 x 20 -8.8
45	006510927	6	WASHER, A 6.4
46	9999853100	6	PLATE, LOCKING, WASHER, VSF M 6
47	006213734	6	NUT, hex, M6 -8
48	006646138	2	NUT, SM

Ref	Part Number	Qty	Description
49	006646146	2	SCREW, AF 1
50	006646195	2	PLATE, LOCKING, SIG 1
51	4260716184	1	ANGLE BAR,
52	006339257	2	SCREW, hex, M6 x 45 -8.8
54	003799115	2	HOSE, PHD 106 x 1100 AFL AFL 90
55	003781397	2	ELBOW, W-fitting, XEW 8-L
56	060532927	2	ADAPTER, male-end, GE8-L/M16 x 1.5 -ED
58	4240054096	1	CYLINDER ASSY., B1-40/25 x 160
59	9999850083	1	UNION, XG'12-L
60	003793737	1	HOSE, PHD110 x 800 HL AFL 90
61	003793761	1	HOSE, PHD 208 x 730 HS AFS
62	003793778	1	HOSE, PHD 208 x 650 HS AFS
63	003793921	1	CLAMP, double, LNG 418/18 PP
64	9933960417	1	SCREW, hex, M6 x 40 -8.8
65	006213734	1	NUT, hex, M6 -8
66	006510927	1	WASHER, A 6.4
67	4240023764	2	TUBE, holding

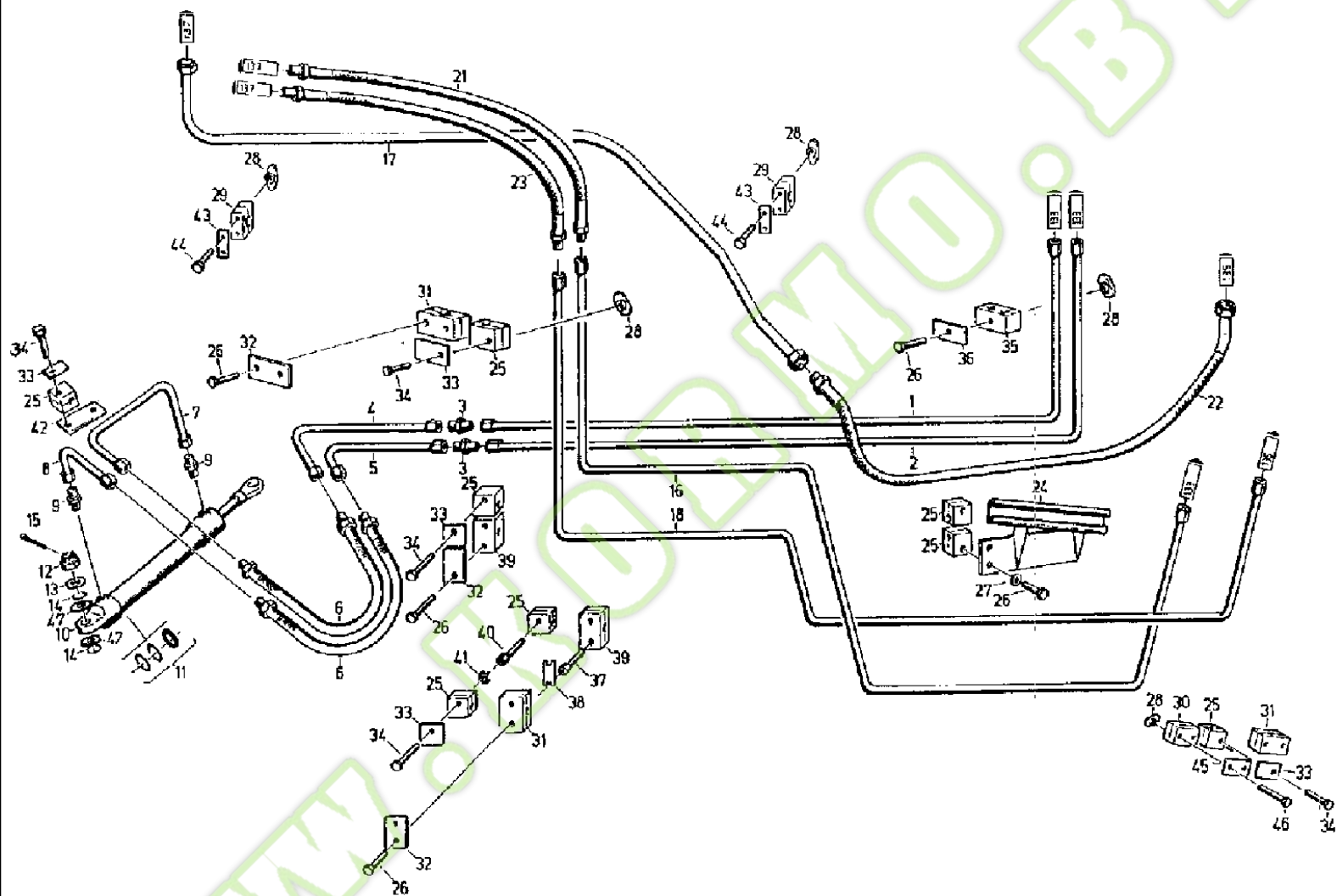


Ref	Part Number	Qty	Description
1	061033708	1	VALVE, suspension
2	060527101	1	VALVE, directional control, SP 08 - 525 HHA
3	003781428	1	VALVE, PRESSURE RELIEF, limiting, MH BD 02 K2 - 1x/315 M 160 bar
4	060509286	9	SPINDLE, coil, GZ 45 -4 -24 V
5	060509300	9	O-RING,
6	060518873	1	BOX, TERMINAL, cable, gr
7	060521137	11	SOCKET, POWER, BOX cable, sw
8	006334131	2	SCREW, hex, M8 x 45 -8.8
9	006576068	4	DISC, locking, VSF B 8
10	9999853117	4	PLATE, LOCKING, washer, VSF M 8
11	006213830	8	NUT, hex, M8 -8
12	9933930001	4	SCREW, hex, M8 x 20 -8.8
13	9999851277	4	ADAPTER, male-end, GE 12-LR-ED/OMD
14	003432722	7	ADAPTER, male-end, GE8-L/R 3/8 - ED/OMD
15	003609111	1	ELBOW, W-type fitting, EW 12-L/OMD
16	060521186	1	HOSE, PHD 110 x 300 AOL AOL90
17	060521194	1	VALVE, CHECK, RHD 12-LR-ED/OMD
18	060512650	1	ADAPTER, male-end, EGE 12 - LR-ED/OMD
19	003793995	1	ADAPTER, male-end, EGE 18 - PLR - ED
20	060530017	1	TEE, STR 22/12/22-L
21	4240030868	1	CONNECTOR, HYD., ET 12-L/OMD
22	060520601	1	VALVE, throttle nonreturn, EDRV-10
24	061033283	1	LINE, X11
26	060529722	12	GASKET,
30	003433467	1	ADAPTER, male-end, GE 15-L/R 3/8 - ED/OMD
31	4260688804	1	ORIFICE, restrictor, 8-7
33	003793753	3	HOSE, PHD 106 x 1600 AFL AFL90
34	003798862	3	HALF COUPLING, SKL 06 HL 3
35	9901059367	1	GUARD, dust, rt, SKL Zubs 3
36	003793938	1	GUARD, dust, bl, SKL Zubs 3
37	9901059383	1	GUARD, dust, gn, SKL Zubs 3
38	006003532	4	SCREW, cylinder, M3 x 8 -5.8
40	9960919823	4	WASHER, A 3.2
41	003793841	1	HOSE,
42	060524123	1	SCREW, G-Fitting, RED 22/18-L
43	003793720	1	HOSE, PHD213 x 930 HL AOL90
44	060509294	10	NUT, GZ 45
45	061033757	2	HOSE, PHD210 x 1800 AOL AOL90
46	061033765	1	SLEEVE, TRANSMISSION, HALF coupling, SKL 10 HL3
47	061033773	1	SLEEVE, TRANSMISSION, HALF coupling, SKL 10 HL4
48	061033781	1	GUARD, dust, ge, SKL Zubs 3
49	061033798	1	GUARD, dust, SKL Zubs 4



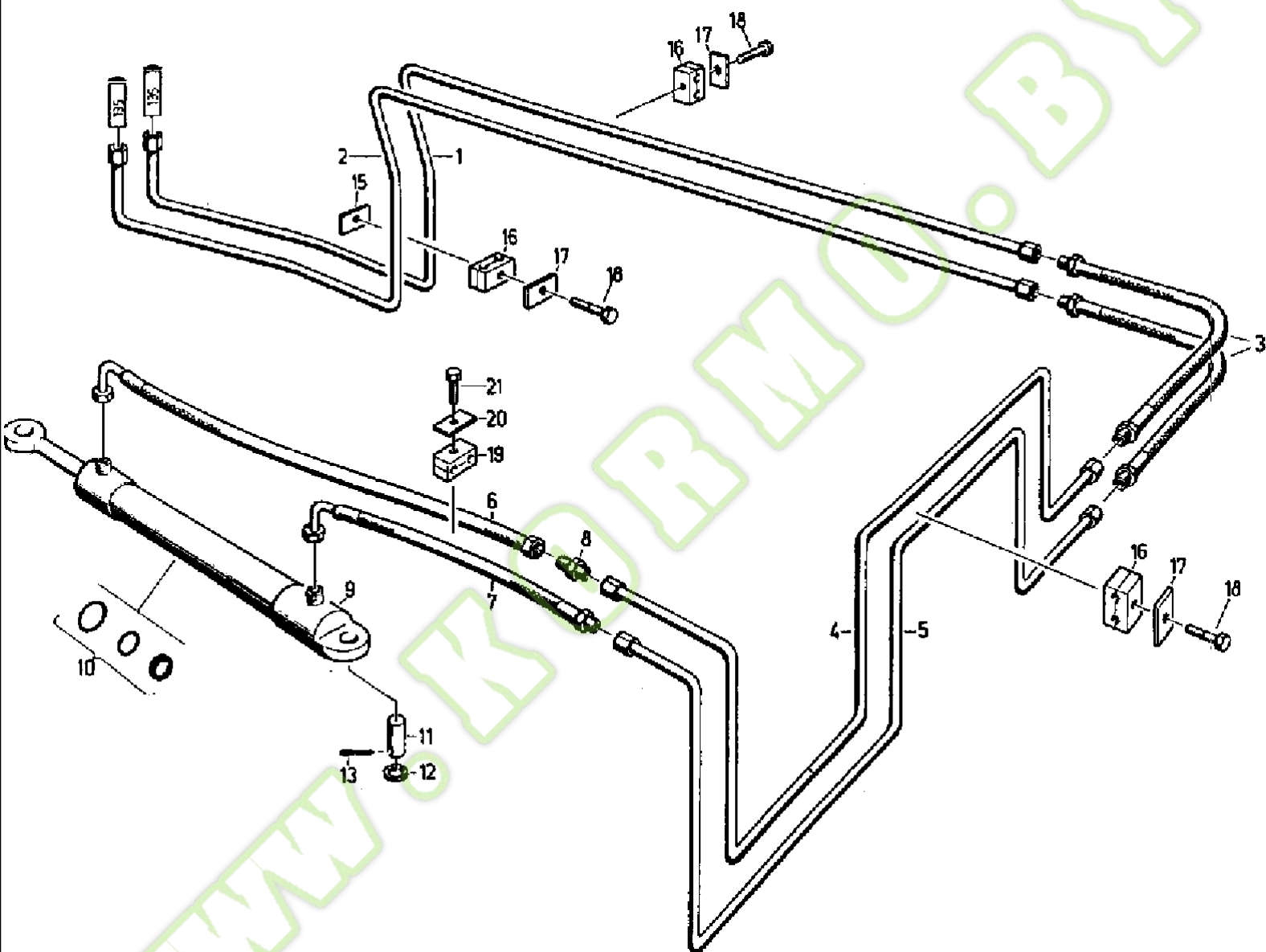
07-15 PIPING, ENGINE

Ref	Part Number	Qty	Description
1	060527046	1	PUMP, gear-type, 16-4
2	001129605	1	O-RING, 26 x 2.5
3	9999854753	2	O-RING, 20 x 2.5
4	003610958	2	FITTING, flange, L 28/40
5	003783663	1	FLANGE, fitting L 15/35
6	003793038	1	FLANGE, fitting L 12/35
7	006455742	12	WASHER, LOCK, spring, B 6
8	9936984856	8	SCREW, cheese-head, M6 x 22 -10.9
9	003780900	4	SCREW, cheese-head, M6 x 35 -10.9
10	9960921787	2	WASHER, A 10.5
11	9933929065	2	SCREW, hex, M10 x 20 -8.8
12	003433555	1	FITTING, EL 15-L/OMD
13	003432554	1	FITTING, L, EL 12-L/OMD
14	003433563	1	FITTING, PORT gauge, VKA 3/15-L
15	9019059286	1	FITTING, PORT gauge, VKA 3/12-L
16	003784488	1	HOSE, PSG 132 x 850 AOL45 AOL90
17	003793608	1	HOSE, PSG 125 x 1000 AOL AOL90
18	060150157	1	HOSE, PHD 120 x 480 AOL AOL90
19	060529948	1	HOSE, PHD 120 x 1200 AOL AOL90
20	060529923	2	HOSE, PHD 120 x 2200 AOL AOL90
21	060529956	1	HOSE, PHD 120 x 1200 AOL AOL45
22	060526711	1	HOSE, PND 316 x 2500 AOL AOL90
23	060529964	1	HOSE, PHD 213 x 1000 AOL HL
24	003793833	1	HOSE, PHD 210 x 1000 AOL HL
25	060524115	1	FITTING, EL 22-L
26	060522933	1	CONNECTOR, HYD., EW 35-L
27	003433434	2	FITTING, EW 22-L
28	003433475	2	ADAPTER, screwing, GE 22-LM
29	060150155	1	UNION, T 22-L
30	003780041	1	UNION, W 22-L
31	060526728	1	VANEUM GAUGE, SCREW locking
32	060206930	1	TUBE, HYD, D 1.1
33	4260715890	1	TUBE ASSY., D 2.1
34	006646267	3	CIRCLIP, 112 PP
35	006646283	3	CIRCLIP, 215 PP
36	006646066	1	CIRCLIP, 430/30 PPH
37	006646250	3	COVER, plate, DP 1
38	006646275	3	COVER, plate, DP 2
39	003781918	1	COVER, plate, GD 4D
40	006646138	3	NUT, M 6
41	9933929450	3	SCREW, hex, M6 x 30 -8.8
42	9933959987	6	SCREW, hex, M6 x 35 -8.8
43	006334180	1	SCREW, hex, M8 x 50 -8.8

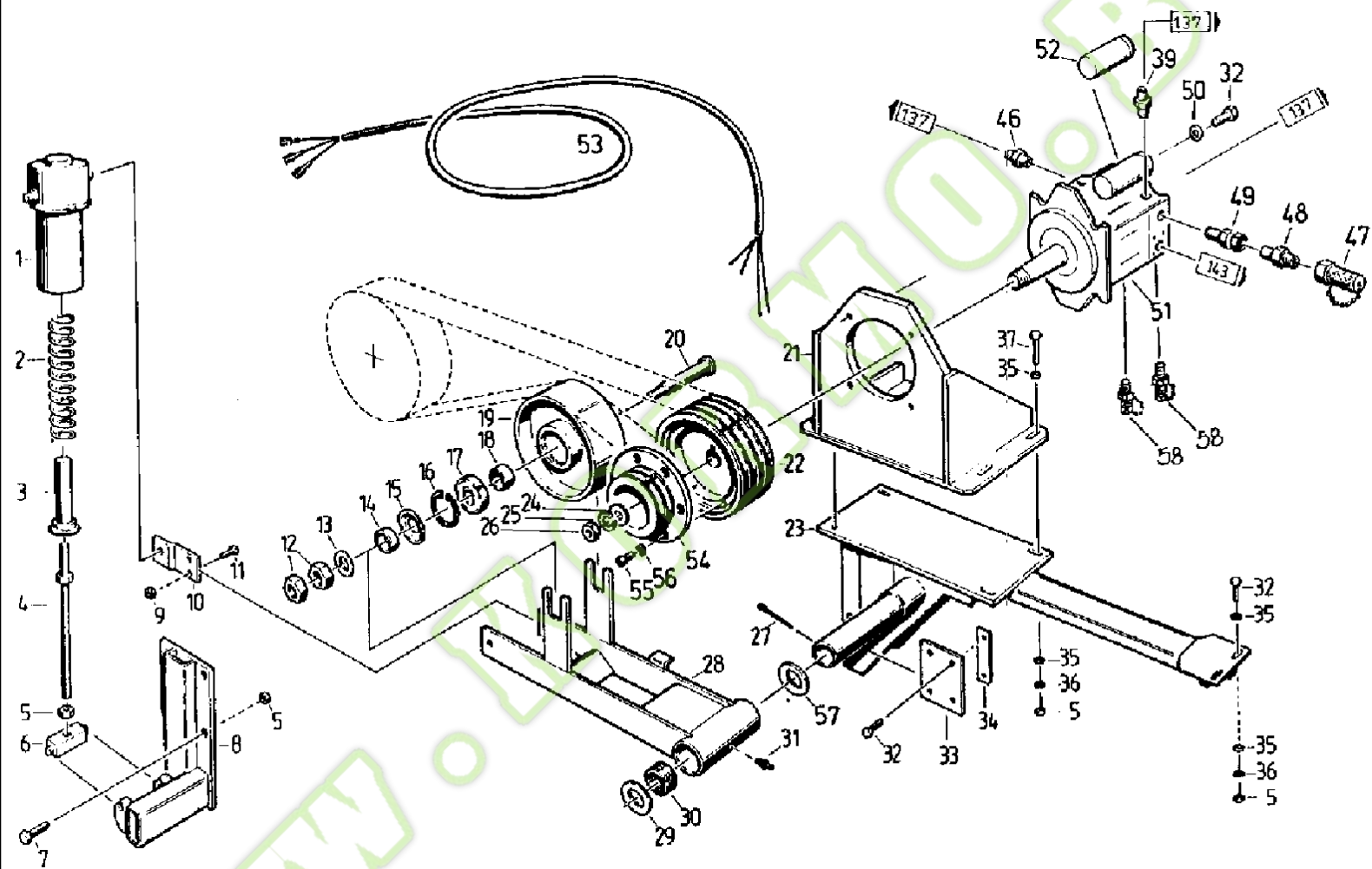


07-19 PIPING, RIGHT SIDE

Ref	Part Number	Qty	Description
1	4260716096	1	PIPE, LL 4
2	4260716127	1	PIPE, LR 4
3	003606342	2	UNION, XG 12-S
4	4260716102	1	PIPE, EXHAUST SYSTEM, LL 5
5	4260716135	1	PIPE, EXHAUST SYSTEM, LR 5
6	003793786	2	HOSE, PHD 208 x 800 HS HS
7	4260716110	1	TUBE ASSY., LL 6
8	4260716143	1	TUBE ASSY., LR 6
9	9969059420	2	ADAPTER, SOCKET male-end, GE 12-SR-ED/OMD
10	060054674	1	CYLINDER ASSY., B 2-40/18x250
11	003781372	1	KIT, GASKET,
12	9951894525	2	NUT, Castellated, M 16 -17H
13	9965919265	2	WASHER, 18 x 40 x 4
14	9907913687	4	O-RING, 28 x 3
15	9963950032	2	PIN, SPLIT (COTTER), 4 x 32
16	060142168	1	TUBE ASSY., D 2.3
17	060207337	1	TUBE ASSY., R 1
18	060142143	1	TUBE ASSY., D 1.4
21	060150713	1	HOSE, PHD 110 x 980 HL HL
22	060529931	1	HOSE, PHD 120 x 1600 HL AOL90
23	060150658	1	HOSE, PHD 113 x 850 HL HL
24	4260716176	1	BLOCK, SUPPORT pipe, 5
25	006646267	13	CIRCLIP, 112 PP
26	9933959987	17	SCREW, hex, M6 x 35 -8.8
27	9999853100	2	PLATE, LOCKING, WASHER, VSF M6
28	006646138	13	NUT, SM
29	006646283	2	CIRCLIP, 322 PP
30	006646041	1	CIRCLIP, 430 PPH
31	006646283	4	CIRCLIP, 215 PP
32	006646275	6	COVER, PLATE, DP 2
33	006646250	9	COVER, PLATE, DP 1
34	9933929450	9	SCREW, hex, M6 x 30 -8.8
35	006646218	1	CIRCLIP, 112/12 PP
36	006646291	1	COVER, plate, GD 1 D
37	006646154	6	SCREW, nut, AF 2
38	006646201	2	PLATE, LOCKING, SIG 2
39	006646226	4	CIRCLIP, 212 PP
40	006646146	2	SCREW, nut, AF 1
41	006646195	2	PLATE, LOCKING, SIG 1
42	006646330	1	PLATE, welded, SP 5
43	006646347	2	COVER, plate, DP 3
44	006335534	4	SCREW, hex, M6 x 40 -8.8
45	006646000	1	COVER, plate, DP 4
46	006339257	2	SCREW, hex, M6 x 45 -8.8
47	061016764	4	SPACER, disk



Ref	Part Number	Qty	Description
1	060205753	1	TUBE, HYD, ARA 1.1
2	060205761	1	TUBE, HYD, ARB 1.1
3	003793673	2	HOSE, PHD206 x 630 HL HL
4	4260715962	1	PIPE, EXHAUST SYSTEM, ARA 2
5	4260715987	1	PIPE, EXHAUST SYSTEM, ARB 2
6	003793681	1	HOSE, PHD 206 x 1250 AOL AOL90
7	003793698	1	HOSE, PHD 206 x 1450 HL AOL 90
8	003605792	2	FITTING, G 8-L
9	061031595	1	CYLINDER ASSY., 50/25 x 480
10	060518133	1	KIT, GASKET, 50/25
11	9949864924	2	PIN, LARGE, BOLT, 50 x 70 x 54
12	061032756	4	SPACER, disk
13	9963950274	4	PIN, SPLIT (COTTER), 5 x 32
15	003794504	1	PLATE, welded, SP 1D
16	006646187	6	CIRCLIP, 108/08 PP
17	006646291	6	COVER, plate, GD 1 D
18	9933959987	6	SCREW, hex, M6 x 35 -8.8
19	006646170	2	CIRCLIP, 216/16 PPH
20	006646242	2	COVER, plate, GD 2 D
21	006341485	2	SCREW, hex, M8 x 35 -8.8



Ref	Part Number	Qty	Description
1	4260708770	1	SPRING, retainer
2	003793882	1	SPRING, COMPRESSION, C7 x 63 x 17.5
3	4260708545	1	STEM, GUIDE spindle
4	4260708561	1	SPINDLE,
5	006214140	13	NUT, hex, M12 -8
6	4260708553	1	SUPPORT, spindle
7	006346408	4	SCREW, hex, M12 x 20 -8.8
8	4260713944	1	SUPPORT, back rest
9	006213935	2	NUT, hex, M10 -8
10	4260708787	1	PROTECTION PLATE,
11	006343880	2	SCREW, hex, M10 x 22 -8.8
12	9950896343	2	NUT, hex, M24 x 2 -04
13	9960962930	1	WASHER, A 25
14	4240029497	2	BUSHING,
15	4240029511	2	SEAL WASHER,
16	9964917826	2	CIRCLIP, 72 x 2.5
17	9902890505	2	BEARING, ball, 6207 RS
18	4240029480	1	BUSHING,
19	4240029503	1	ROLLER, SHIFTER,
20	4240029472	1	PIN, LARGE, BOLT
21	4260708184	1	SUPPORT, TRESTLE pump
22	060141987	1	PULLEY,
23	4260713960	1	BODY,
24	9960922931	1	WASHER, 33
25	9961911591	1	WASHER, LOCK, spring, B 30
26	9950898400	1	NUT, hex, M30 x 2
27	003781926	1	PIN, SPLIT (COTTER), 8 x 71
28	061029447	1	LEVER, ROCKER,
29	9965923534	2	WASHER, 42 x 55 x 4
30	4241021230	2	BUSHING,
31	003617056	1	NIPPLE, LUBE, AM 8 x 1
32	006346666	14	SCREW, hex, M12 x 30 -8.8
33	4260708537	2	COVER, plate
34	4260708498	4	FITTING, UNIT plug-in, M 12
35	4250132814	11	WASHER,
36	006501557	9	WASHER, SPRING, B 12
37	9933932028	4	SCREW, hex, M12 x 35 -8.8
39	003433475	1	ADAPTER, male-end, GE 22-LM-EO/OMD
46	003433418	1	ADAPTER, male-end, GE 35-LM-ED/OMD
47	003433563	1	FITTING, PORT gauge, VKA3/15-L
48	060504923	1	UNION, GR 22/15-L
49	003433506	1	ADAPTER, male-end, EGE 22-PLM-ED
50	007968723	4	WASHER, 14 x 32 x 5
51	060527054	1	PUMP, variable delivery, A4VG71
52	060525294	1	FILTER, ELEMENT,

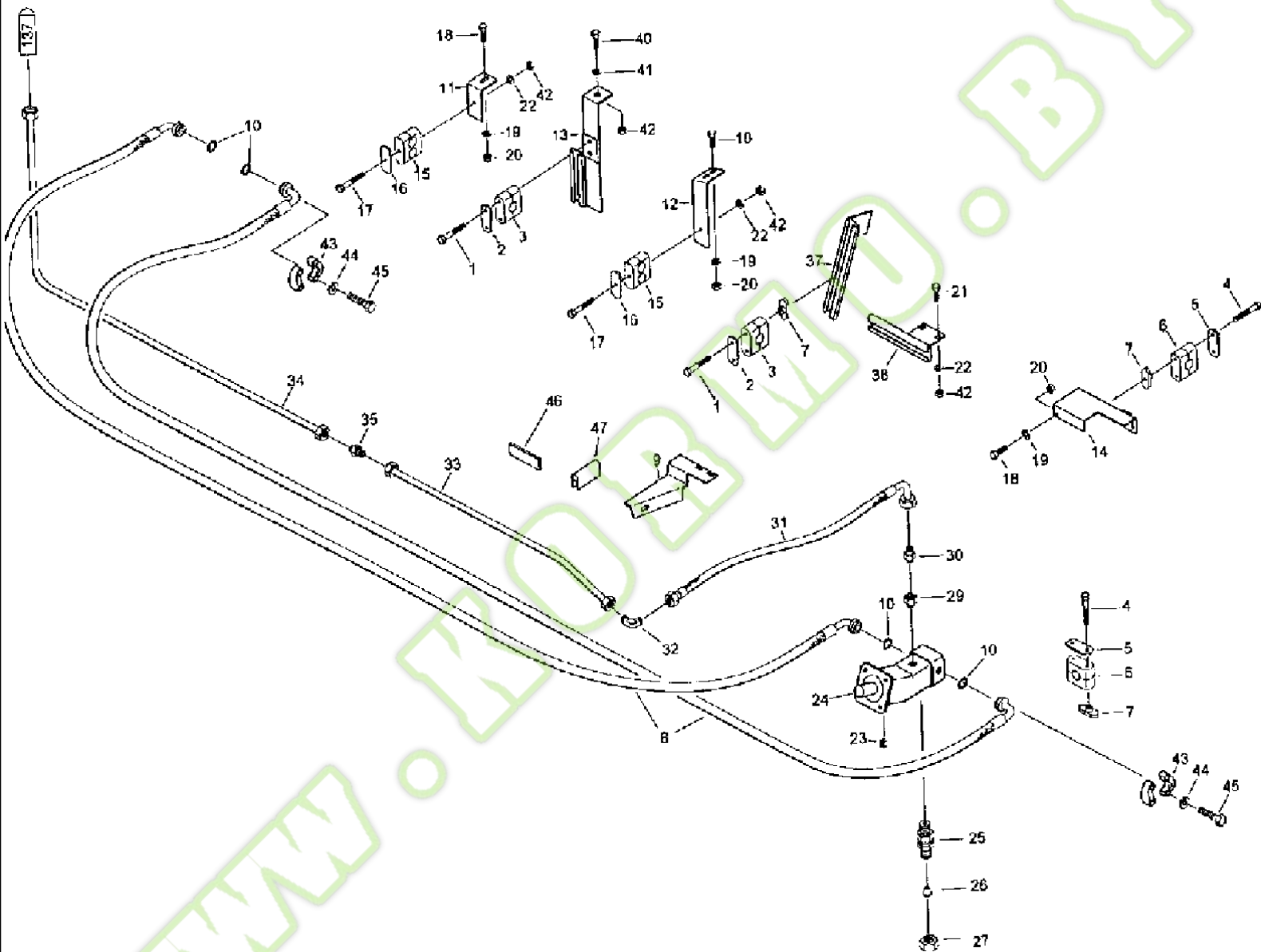
525 CASE IH COMBINE (1/99-12/99)

07-25 PROPULSION SYSTEM, HYFA-PUMP RD

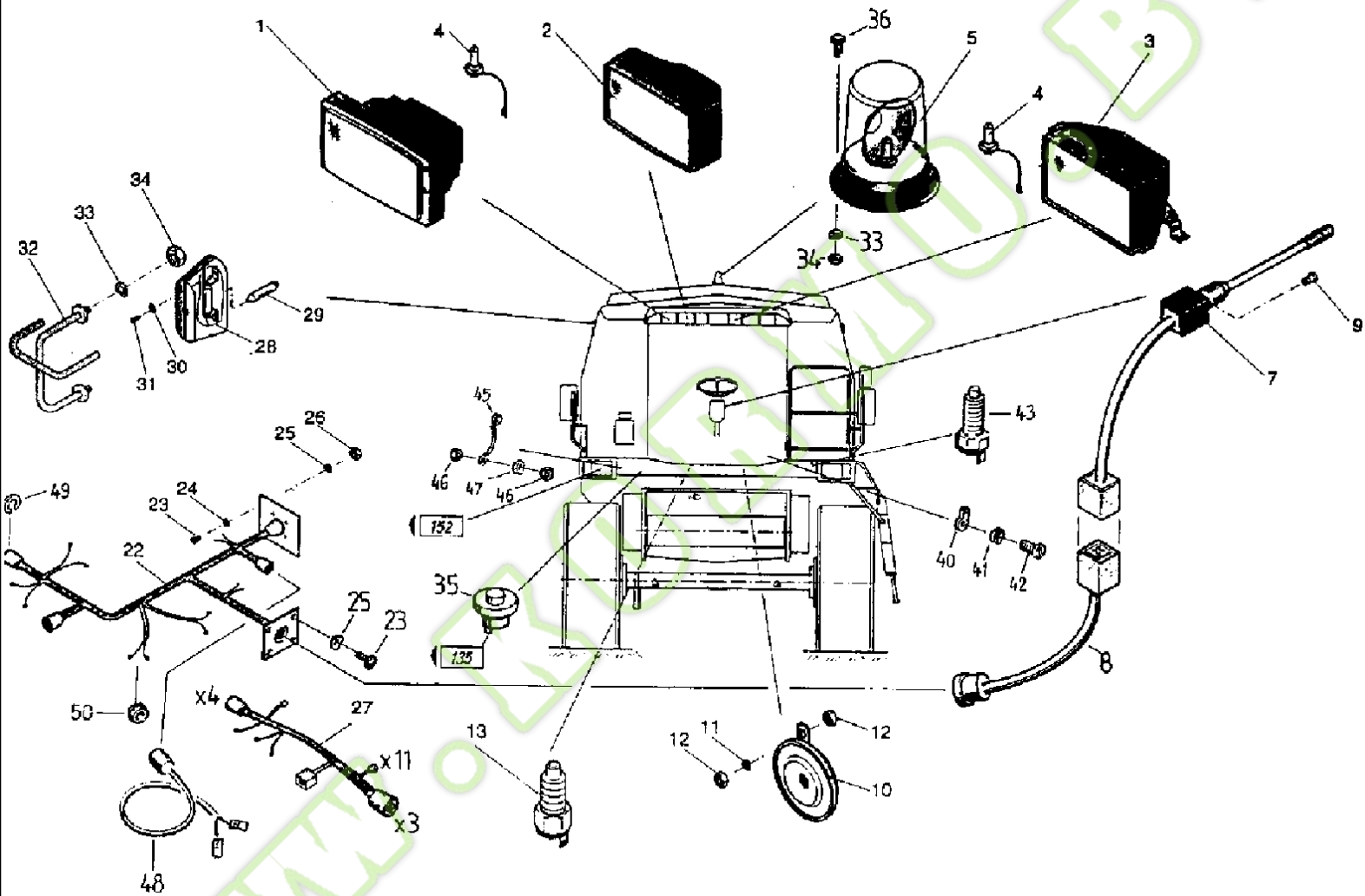
Ref	Part Number	Qty	Description
53	4260714012	1	CABLE, VW
54	060167625	1	GROOVED PULLEY, vee-belt
55	006278942	4	SCREW, cheese-head, M6 x 16-10.9
56	9961919927	6	WASHER, SPRING, B6
57	9965962171	2	WASHER, 42 x 60 x 3
58	060522435	2	FITTING, screwing, EMA3/12x1,5-ED

WWW.KORMO.BY

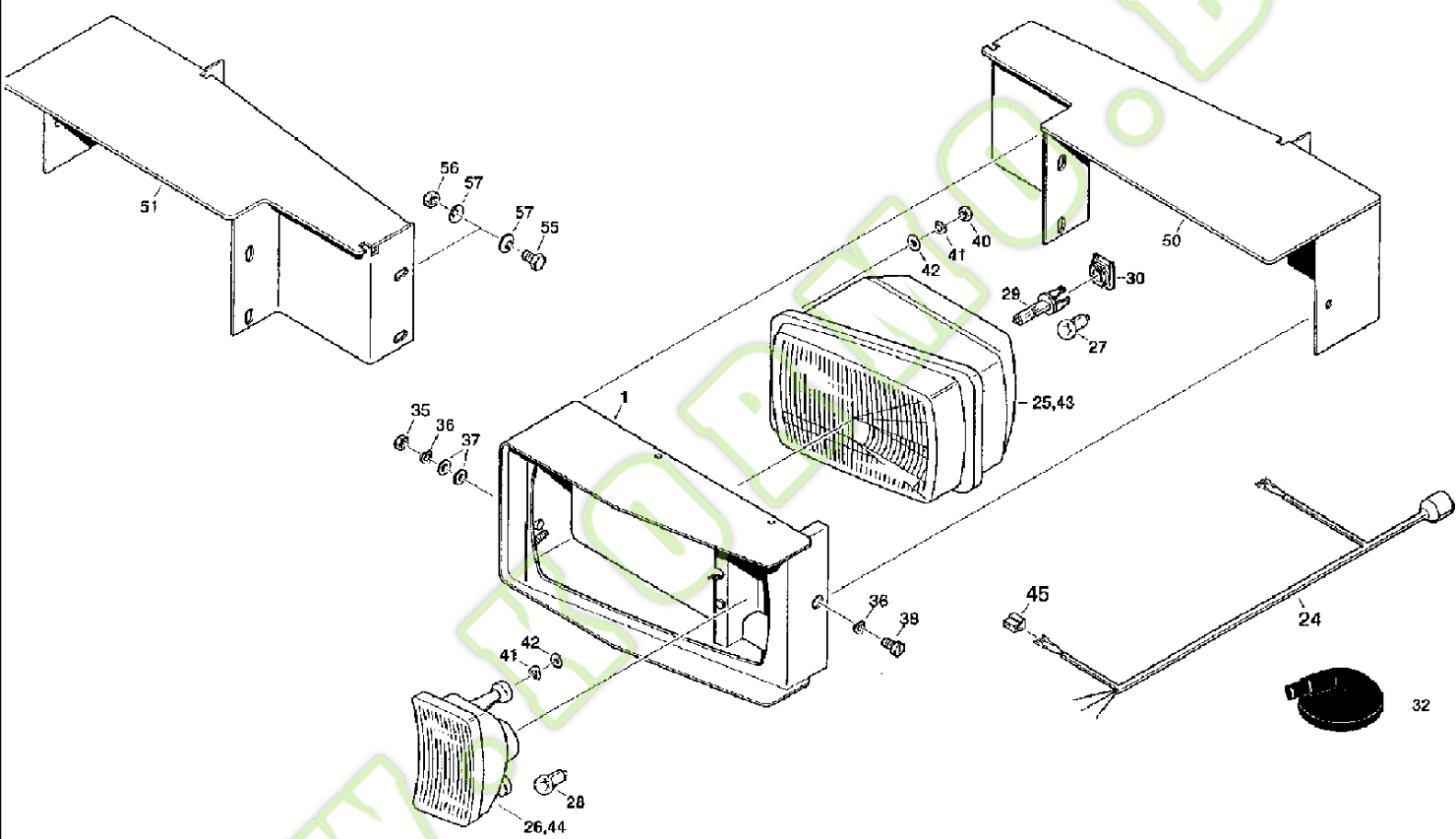




Ref	Part Number	Qty	Description
1	9933960417	8	SCREW, hex, M6 x 40 -8.8
2	006646347	4	COVER, plate, DP 3
3	006646033	4	CIRCLIP, body, 322 PP
4	9933960048	8	SCREW, hex, M6 x 60 -8.8
5	006646017	4	COVER, plate, DP 5
6	060516051	4	CIRCLIP, body, 540 PPH
7	006646138	8	NUT, rail, SM
8	060207080	2	HOSE, HL
9	060207538	1	SUPPORT, pipe, HL
10	060516437	4	GASKET, ring 1"
11	060207193	1	ANGLE BAR,
12	060206947	1	ANGLE,
13	4260708473	1	HOLDER, SUPPORT pipe, 2
14	060207265	1	SUPPORT, HOLDER tube
15	060528762	4	CIRCLIP, body, 540/40 PPH
16	060528770	4	COVER, plate, GD5D
17	003796442	3	SCREW, hex, M8 x 80 -8.8
18	006344037	4	SCREW, hex, M10 x 25 -8.8
19	006576002	4	WASHER, locking, VSF M 10
20	006213935	4	NUT, hex, M10 -8
21	9933929173	4	SCREW, hex, M8 x 25 -8.8
22	4260689114	7	WASHER,
23	006214140	4	NUT, hex, M12 -8
24	4260713911	1	MOTOR, HYDRAULIC, constant-speed
25	003793497	1	VALVE, CHECK, non-return, RHZ 15-LM-ED/OMD
26	003793511	1	VANEUM GAUGE, cover, VKA 15
27	003793503	1	NUT, TUBE, cap, M 15-L
29	003433514	1	ADAPTER, male-end, EGE 15-PLM-ED
30	003433692	1	UNION, GR 22/15-L
31	060522388	1	HOSE, PHD 120 x 1300 AOL AOL 90
32	003780041	2	UNION, XW 22-L
33	060202123	1	TUBE ASSY., drain, Lel 2-2
34	060206947	1	ANGLE, LINE drain, Lel 2-3
35	003605807	1	FITTING, XG 22-L
37	060202197	1	SUPPORT, pipe, 3.1
38	060202172	1	SUPPORT, pipe, 4.1
40	9933930001	2	SCREW, hex, M8 x 20 -8.8
41	9960921633	4	WASHER, A 8.4
42	006213830	7	NUT, hex, M8 -8
43	060151667	8	FLANGE ASSY, half, SFH 6 25
44	9961911204	16	WASHER, LOCK, spring, B12
45	006347007	16	SCREW, hex, M12 x 45 -8.8
46	060207546	1	STRIP, SEALING, HL
47	060207554	1	STRIP, PROTECTION, edge

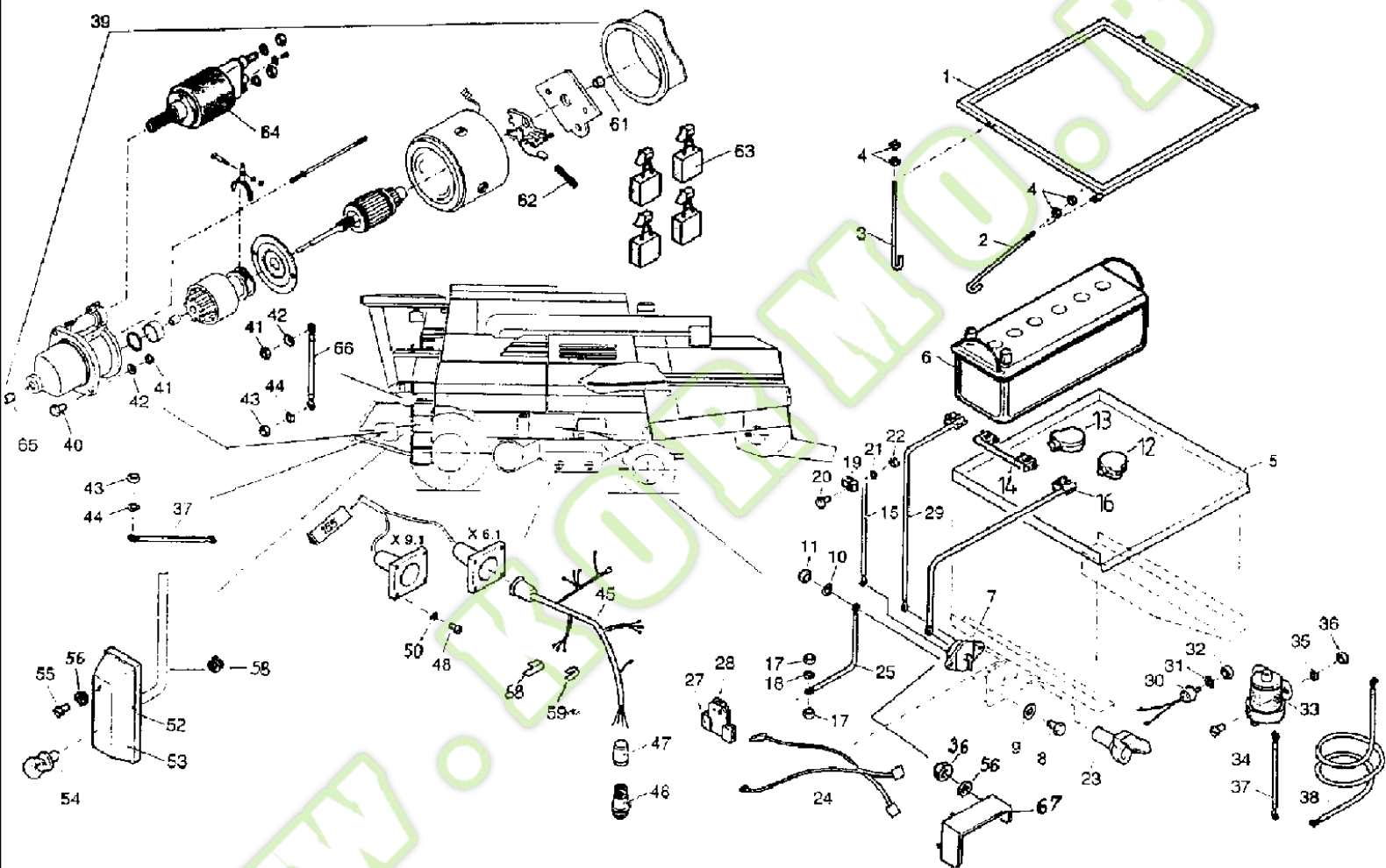


Ref	Part Number	Qty	Description
1	060507067	2	LIGHT, WORK, head
2	060502070	2	LIGHT, WORK, head
3	060505692	2	LIGHT, WORK, head
4	9019876492	9	LIGHT, halogen, 24V/H3
5	9019874281	1	LIGHT, rotary
7	060517735	1	SWITCH,
8	060517743	1	HARNESS, cable
9	060517751	4	SCREW, plate
10	9019972917	1	BUZZER,
11	9961920004	1	WASHER, SPRING, B 10
12	006213935	2	NUT, hex, M10 -8
13	9019875258	1	SWITCH, BUTTON push
22	060195573	1	HARNESS, TREE cable
23	060520827	8	SCREW, hex, M3 x12 -5.8
24	9960919823	4	WASHER, A 3.2
25	9961966966	8	WASHER, SPRING, B 3
26	9950894093	4	NUT, hex, M 3
27	061033082	1	CABLE, ELECTRIC, TREE
28	9019973403	2	LIGHT, parking
29	9019974420	2	BULB, incandescent, 24V/4W
30	9960962168	4	DISC, A 3.2
31	060503311	4	SCREW, metal, ST 2.9 x 6.5
32	061024016	2	PROTECTOR,
33	9961919927	7	WASHER, SPRING, B 6
34	006213734	7	NUT, hex, M6
35	060509204	1	SWITCH,
36	9932959721	3	SCREW, hex, M6 x 30 -8.8
40	9019972878	1	NO DESCRIPTION, CONNECTOR flat
41	9961919896	1	WASHER, SPRING, B 4
42	9936984911	1	SCREW, cheese-head, M4 x 8 -5.8
43	9019875258	3	SWITCH, push button
45	060199142	1	CABLE,
46	006213734	4	NUT, hex, M6 -8
47	9961919927	2	WASHER, SPRING, B6
48	060201460	1	CABLE,
49	060201380	1	PLATE, LARGE, counter
50	9972876953	1	GROMMET, cable



08-05 LAMP UNIT

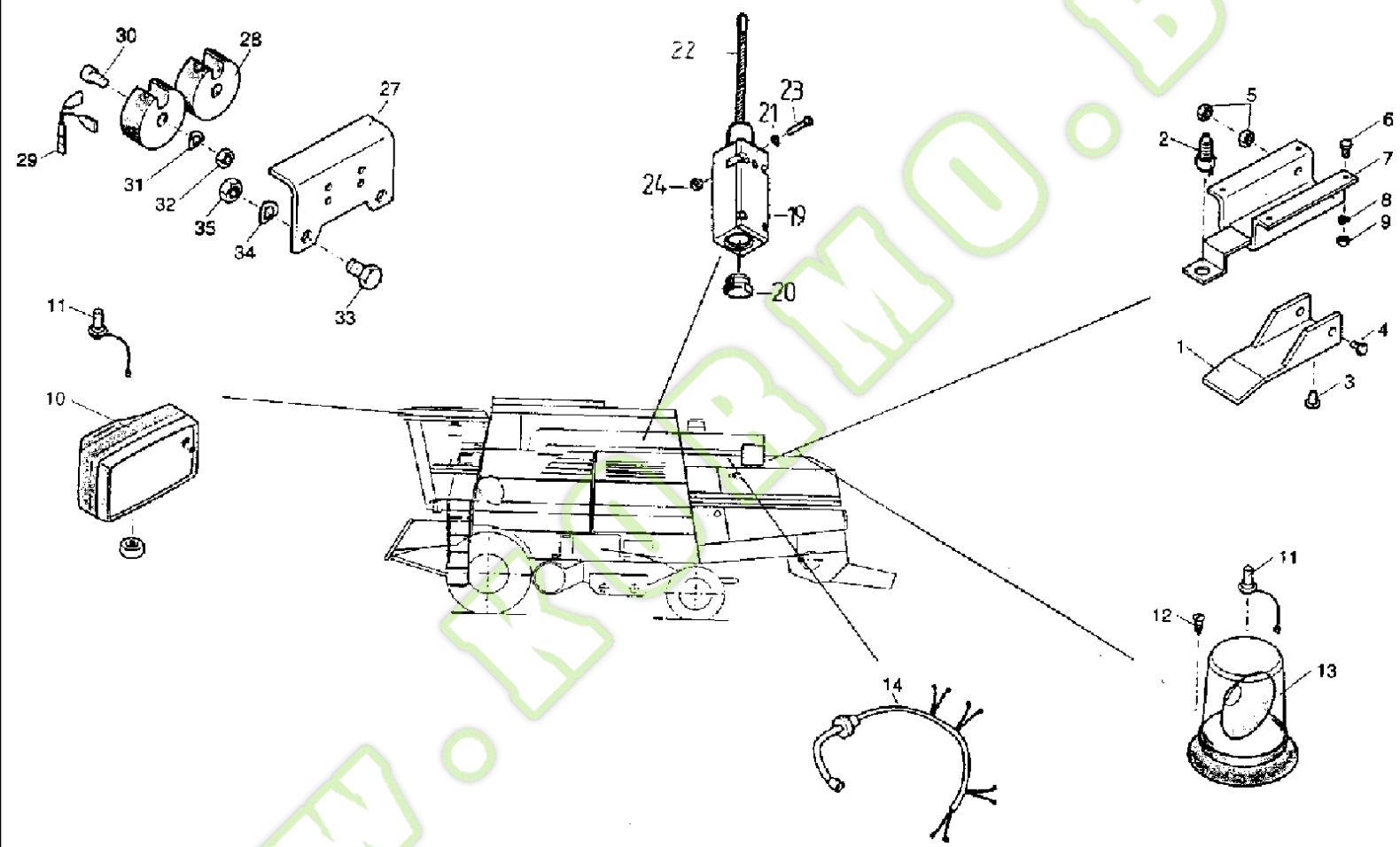
Ref	Part Number	Qty	Description
1	061011985	2	CASE ASSY., BOX
24	061022481	2	CABLE, ELECTRIC,
25	060505803	1	HEADLIGHT, g
26	060505811	1	LIGHT, INDICATER, lateral, g
27	9019974420	2	BULB, T 4 W 24V/4W BA 9s
28	9019974357	2	BULB, P 21 W 24V/21W BA 15s
29	9019974478	2	LIGHT, H4 24V-75/70W
30	060503047	2	CONNECTOR, piece
32	060505707	2	CABLE, ELECTRIC, grommet
35	006213830	4	NUT, hex, M8 -8
36	9961920061	8	WASHER, SPRING, B8
37	9960921633	8	WASHER, A8.4
38	9937938544	2	SCREW, cheese-head, M 8x20 -5.8
40	006213734	12	NUT, hex, M6 -8
41	9961919927	12	WASHER, SPRING, B 8
42	006510228	8	WASHER, B 6.4
43	060505780	1	HEADLIGHT, f
44	060505797	1	LIGHT, INDICATER, flasher, f
45	060509003	2	BOX, TERMINAL, housing
50	061054046	1	SHEET, PIECE intermediate, f
51	061054087	1	SHEET, PIECE intermediate, g
55	9933929065	6	SCREW, hex, M10 x 20 -8.8
56	006213935	6	NUT, hex, M10 -8
57	9999853166	12	PLATE, LOCKING, WASHER, VSF B 10



08-07 ELECTRICAL EQUIPMENT, LEFT SIDE I

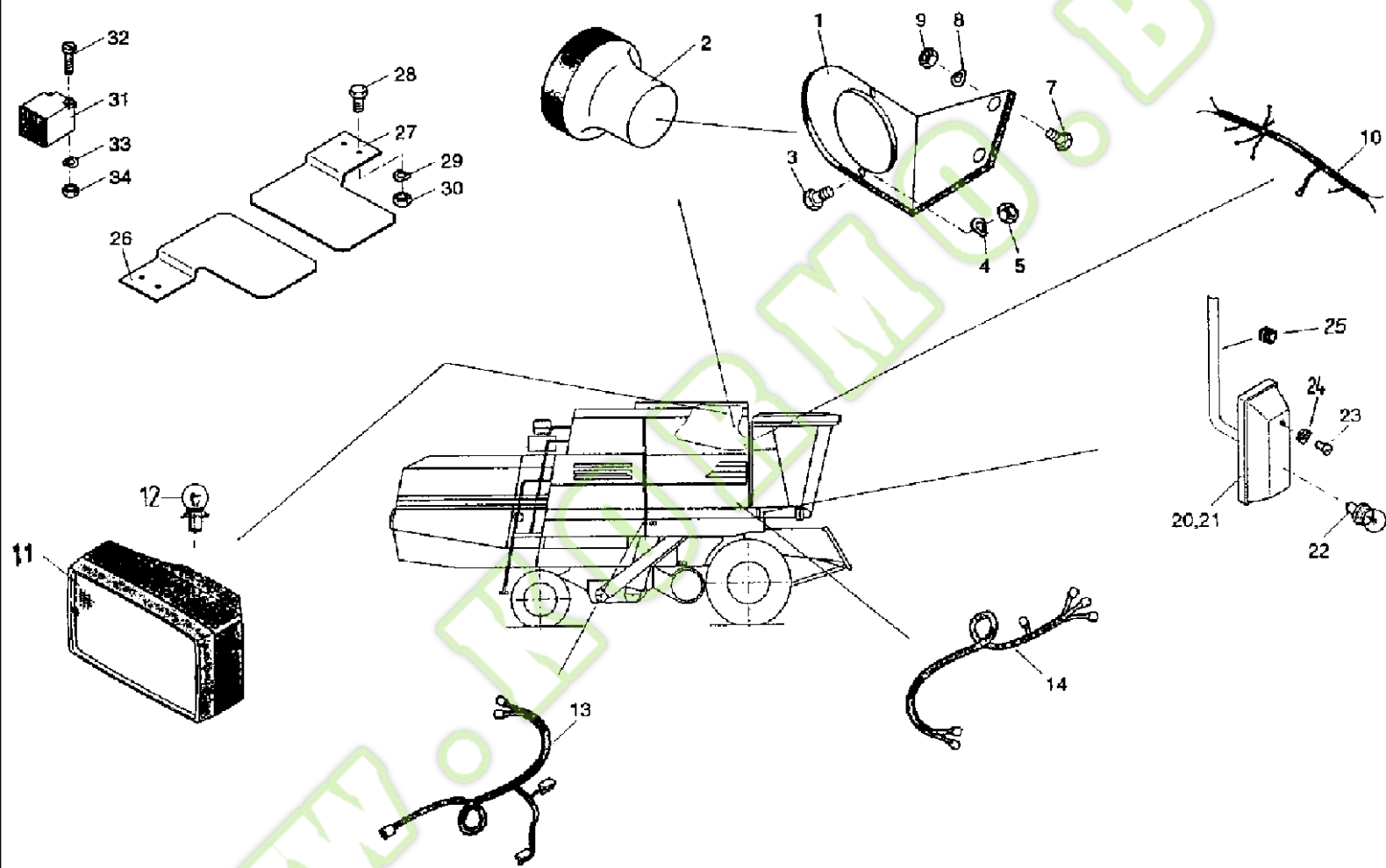
Ref	Part Number	Qty	Description
1	061009990	1	FRAME,
2	4247058897	2	ROD, tie
3	4247058903	2	ROD, tie
4	006213830	8	NUT, hex, M 8 -8
5	4247058911	1	BOTTOM,
6	4254137743	2	BATTERY, DRY,
7	060519472	1	BATTERY CUT-OUT, SWITCH main
8	9933929173	2	SCREW, hex, M8 x 25 -8.8
9	9960921633	2	WASHER, A 8.4
10	9961920061	2	WASHER, SPRING, PLATE sparing, B 8
11	006213830	2	NUT, hex, M8 -8
12	4247058936	3	PROTECTOR, pole, g
13	4247058928	1	PROTECTOR, pole, f
14	060512771	1	LINE, (+/-) lead
15	9922875301	1	SHIN, LINE connecting
16	060519712	1	LINE, (-) cable
17	006213935	2	NUT, hex, M10 -8
18	9961920004	1	WASHER, SPRING, PLATE sparing, B10
19	060160627	3	CLAMP, pipe
20	006338385	3	SCREW, hex, M6 x 16 -8.8
21	9961919927	3	WASHER, SPRING, PLATE sparing, B 6
22	006213734	3	NUT, hex, M6 -8
23	9019877967	1	SOCKET, plug
24	061028220	1	CABLE ASSY.,
25	060508156	1	CABLE, (-) connecting
27	060505715	1	PROTECTOR,
28	060502101	1	FUSE, 4 A
29	060516010	1	CABLE, (+) lead
30	4260716223	1	DIODE,
31	006506264	1	DISC, NOTCHED, LOCK toothed, A8.2
32	006213830	1	NUT, hex, M8 -8
33	9019059245	1	RELAY, 24 V
34	006003493	2	SCREW, cheese-head, M5 x 12 -5.8
35	9961919902	2	WASHER, SPRING, PLATE sparing, B 5
36	006213478	5	NUT, hex, M5 -8
37	4260705085	2	CABLE ASSY.,
38	4260705093	1	HARNESS, cable
39	9019059237	1	MOTOR, STARTER, 24 V
40	9933931863	2	SCREW, hex, M12 x 25 -8.8
41	006214140	3	NUT, hex, M12 -8
42	9999853174	3	PLATE, LOCKING, WASHER, VSF B 12
43	006213830	2	NUT, hex, M 8 -8
44	9961920061	2	WASHER, SPRING, PLATE sparing, B 8
45	060203864	1	HARNESS, TREE cable
46	060508541	1	CONNECTOR, plug

Ref	Part Number	Qty	Description
47	060508558	1	EYE, LIFTING, grommet
48	060520827	12	SCREW, hex, M3 x 12 -5.8
50	9961966966	12	WASHER, SPRING, PLATE sparing, B 3
52	060505860	1	LIGHT, INDICATER, direction, f
53	060505885	1	DISC, PANE light, f
54	9019974357	1	BULB,
55	9936938988	2	SCREW, cheese-head, M5 x 10 -5.8
56	9961919902	5	WASHER, SPRING, PLATE sparing, B 5
58	9972876945	2	GROMMET, cable
59	9923925641		CIRCLIP, n.B.
61	060502712	1	BUSHING, LARGE,
62	060502704	4	SPRING, COMPRESSION,
63	060502720	1	SET, BRUSHES, carbon
64	060502737	1	RELAY,
65	060502698	1	BUSHING, LARGE,
66	060509253	1	CABLE ASSY., mass
67	061037736	1	FENDER ASSY., mudguard
68	006708538	1	CLAMP,



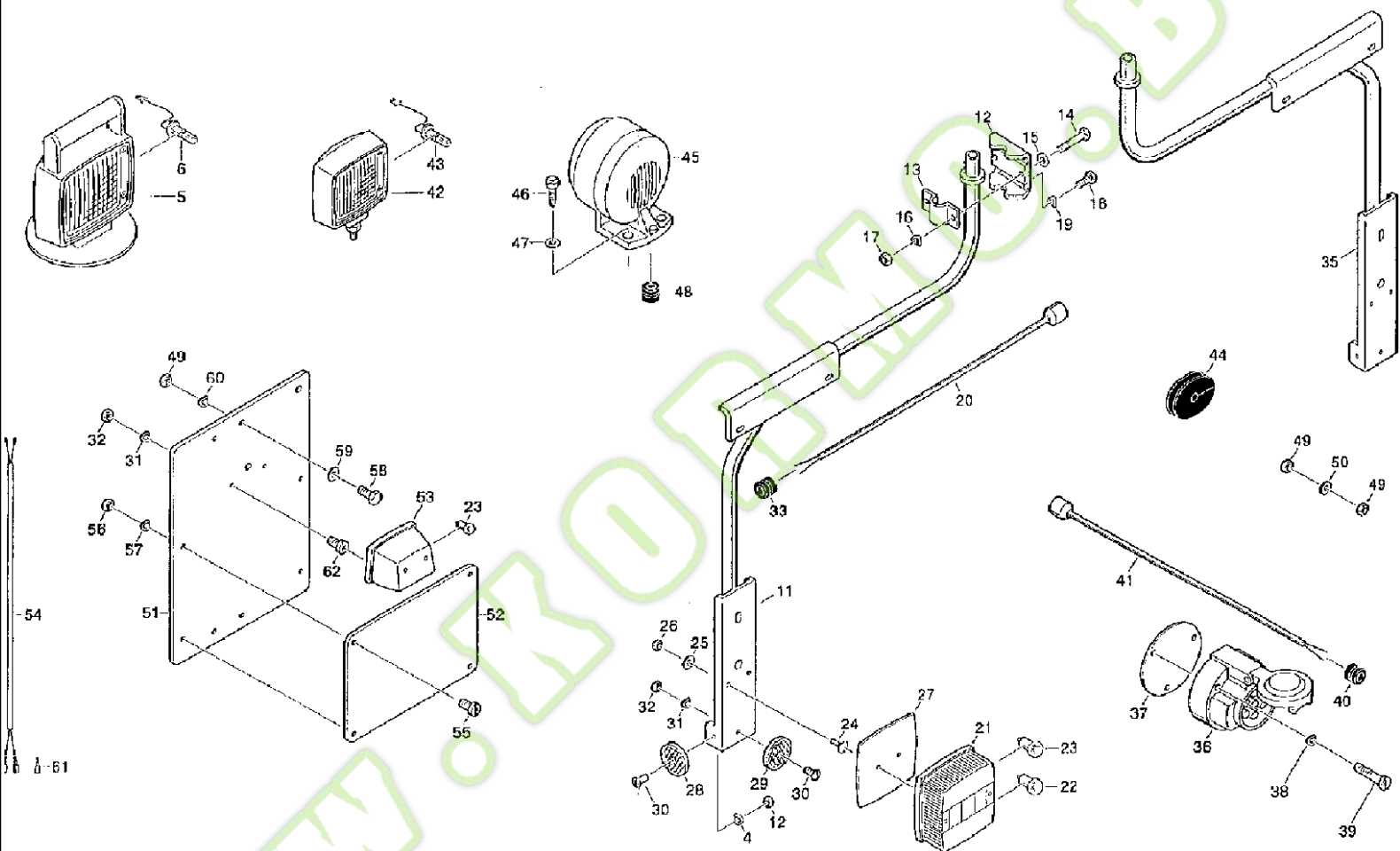
08-11 ELECTRICAL EQUIPMENT, LEFT SIDE II

Ref	Part Number	Qty	Description
1	4260695450	1	SHEET, lever for push button
2	9019875258	1	SWITCH, push
3	9972876816	1	GROMMET, NOZZLE cable, A4 x 1.5
4	9932977940	1	SCREW, hex, M6 x 90 -8.8
5	006213734	2	NUT, hex, M6 -8
6	006338385	4	SCREW, hex, M6 x 16 -8.8
7	4260695442	1	RETAINER, bracket
8	9961919927	4	WASHER, SPRING, B 6
9	006213734	4	NUT, hex, M6 -8
10	060502070	1	LIGHT, WORK, head
11	9019876492	2	LIGHT, Halogen, 70 W/H 3
12	9937984107	3	SCREW, metal, 6.3 x 22
13	9019874281	1	LIGHT, rotary
14	060199167	1	HARNESS, TREE cable
19	060519038	1	SENSOR, limit
20	060519054	1	SCREW, stuffing box
21	9961919896	2	WASHER, SPRING, B 4
22	060527343	1	LEVER,
23	9936938955	2	SCREW, cheese-head, M4 x 25 -5.8
24	9950895496	2	NUT, hex, M4 -8
27	061025435	1	ANGLE,
28	060505957	1	RESISTOR, combination
29	061025443	1	CABLE,
30	9936938713	2	SCREW, cheese-head, M5 x 20 -5.8
31	9961919902	2	WASHER, SPRING, B5
32	006213478	2	NUT, hex, M5 -8
33	006344037	2	SCREW, hex, M10 x 25 -8.8
34	9961920004	2	WASHER, SPRING, B10
35	006213935	2	NUT, hex, M10 -8



08-13 ELECTRICAL EQUIPMENT, RIGHT SIDE

Ref	Part Number	Qty	Description
1	4254125305	2	ANCHOR, fastening
2	4254125290	2	GAUGE, FUEL,
3	9930977163	4	SCREW, hex, M6 x 20 -8.8
4	9961919927	4	WASHER, SPRING, PLATE sparing, B 6
5	006213734	4	NUT, hex, M6 -8
7	006340781	4	SCREW, hex, M8 x 16 -8.8
8	9961920061	4	WASHER, SPRING, PLATE sparing, B 8
9	006213830	4	NUT, hex, M8 -8
10	060201356	1	CABLE, ELECTRIC, TANK grain
11	061010051	1	HEADLIGHT, reverse
12	9019974357	2	BULB, incandescent, 24V/21W
13	060199191	1	HARNESS, TREE cable, g
14	060212205	1	HARNESS, TREE cable
20	060505852	1	LIGHT, INDICATER, direction, g
21	060505877	1	DISC, glass g
22	9019974357	2	BULB, incandescent, 24V/21W
23	9936938988	2	SCREW, hex, M5 x 10 -5.8
24	9961919896	2	WASHER, SPRING, PLATE sparing, B 5
25	9972876945	1	GROMMET, cable
26	060184281	1	ANGLE, SHEET grain tank, g
27	060183102	1	SHEET, SHEET grain tank, f
28	9933929651	4	SCREW, hex, M6 x 14 -8.8
29	9999853100	4	PLATE, LOCKING, WASHER, M6
30	006213734	4	NUT, hex, M6 -8
31	060508646	2	SWITCH, initiator
32	9936937913	4	SCREW, cheese-head, M5 x 45 -4.8
33	9961919902	4	WASHER, SPRING, B5
34	9950895543	4	NUT, hex, M5 -5

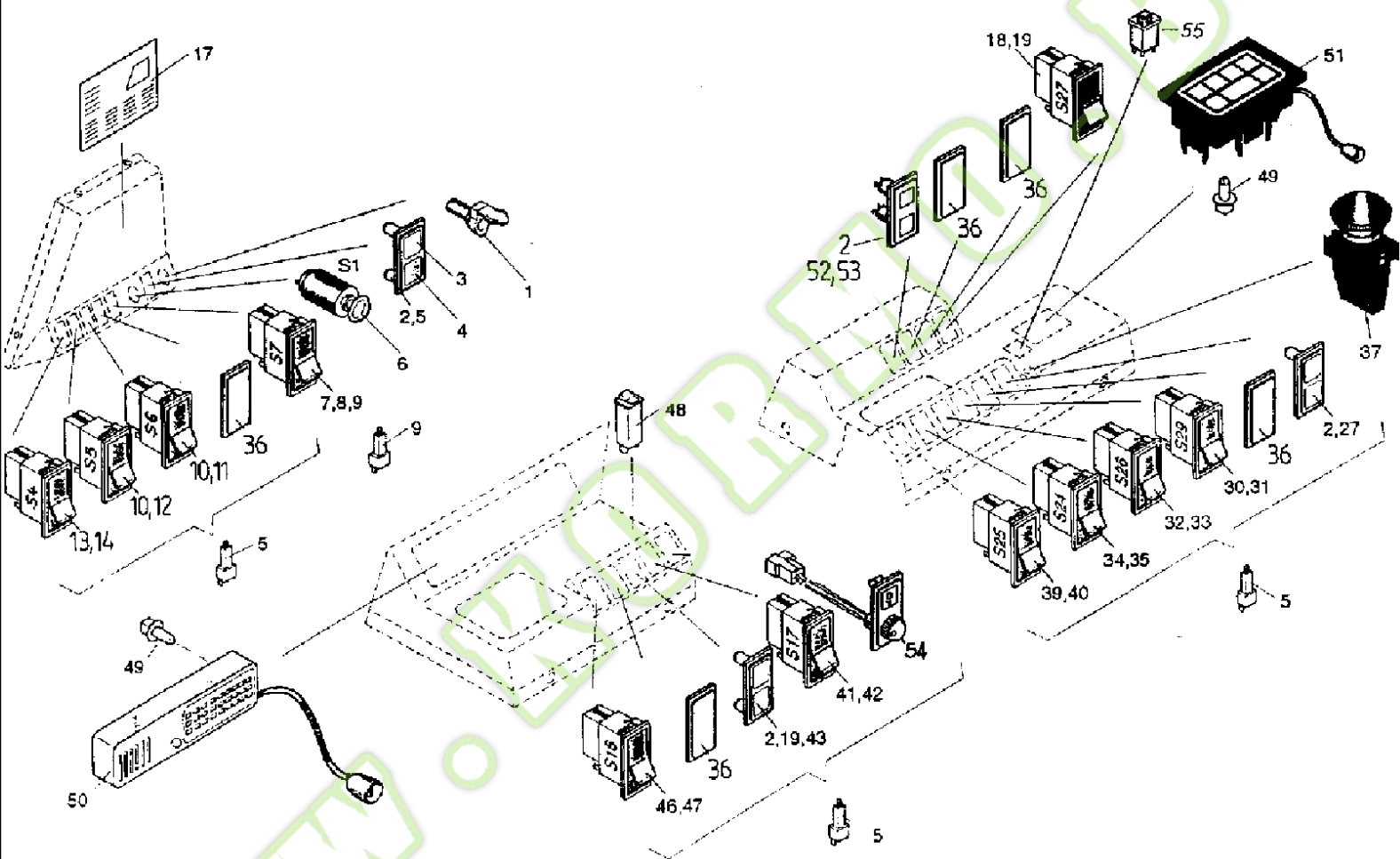


08-15 ELECTRICAL EQUIPMENT, REAR

Ref	Part Number	Qty	Description
5	060509173	1	LIGHT, WORK, hand
6	9019876492	1	LIGHT, halogen, H3,24V/70W
11	060203751	1	SUPPORT, lamp, f
12	060182825	2	RETAINER,
13	060061817	2	BOW,
14	006341397	4	SCREW, hex, M8 x 30 -8.8
15	9960921633	2	WASHER, 8.4
16	9961920061	2	WASHER, SPRING, B 8
17	006213830	2	NUT, hex, M8 -8
18	9933929748	4	SCREW, hex, M8 x 10 -8.8
19	9961920061	2	WASHER, SPRING, B 8
20	060199150	2	CABLE,
21	060509864	2	LIGHT, TAIL, combined
22	9019974357	4	BULB, B24 V/21 W Ba 15 s
23	060500647	2	BULB, B 24 V/10 W Ba 15 s
24	9938928076	2	SCREW, fillister-head, M6 x 20 -5.8
25	006510927	2	WASHER, 6.4
26	006267111	4	NUT, hex, M6 -8
27	060169434	2	PAD, RUBBER, plate
28	9019973331	2	REFLECTOR, rear
29	003790500	2	REFLECTOR, rear
30	9941934503	4	SCREW, countersunk, M5 x 16
31	9961919902	8	WASHER, SPRING, B 5
32	006213478	8	NUT, hex, M5 -8
33	9972876898	2	GROMMET, NOZZLE cable
35	060203776	1	SUPPORT, lamp
36	007067048	1	SOCKET/RECEPTACLE, plug
37	4140751514	1	PLUG, SOCKET underlay
38	9961919902	3	WASHER, SPRING, B 5
39	9936938754	3	SCREW, cylinder, M5 x 30
40	9972877013	1	GROMMET, NOZZLE cable
41	061021431	1	CABLE,
42	060502070	1	LIGHT, WORK, headlamp
43	9019876492	1	LIGHT, halogen, H3 24V/70W
44	060060728	2	CAP, FILLER, locking
45	060508726	1	HORN,
46	9937939135	2	SCREW, plate, 3.5 x 9.5
47	9960921457	2	WASHER, 4.3
48	9972876816	1	GROMMET, cable
49	006213734	2	NUT, hex, M 6-8
50	9961919927	1	WASHER, SPRING, B 6
51	061052815	1	PLATE,
52	020948185	1	ADHESIVE, PLATE
53	060516670	1	LAMP, PLATE number
54	061052807	1	CABLE ASSY.,

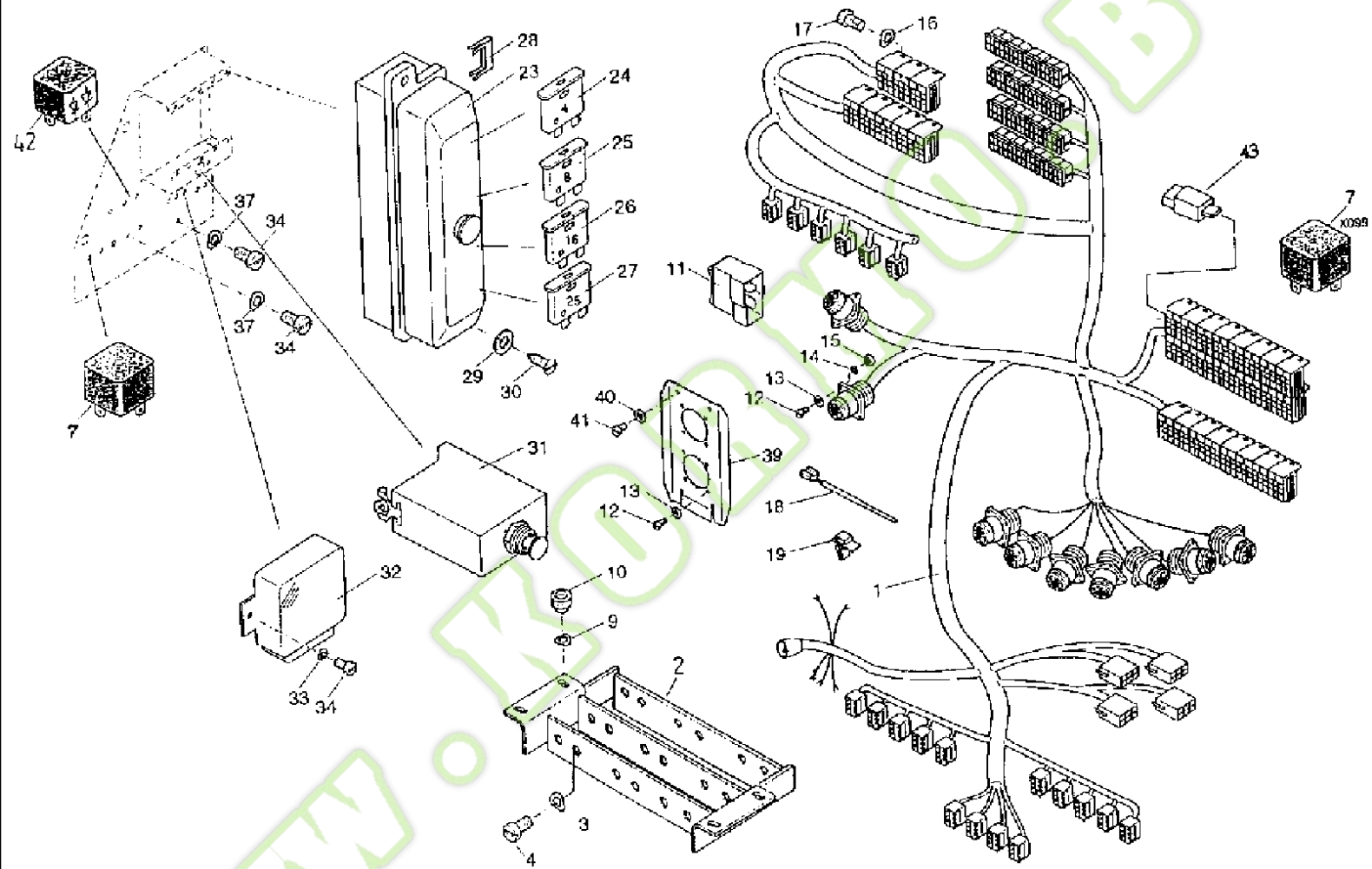
Ref	Part Number	Qty	Description
55	006001885	4	SCREW, M4 x 12
56	9950895496	4	NUT, hex, M4 -8
57	9961919896	4	WASHER, SPRING, B 4
58	006338385	2	SCREW, hex, M6 x 16
59	9964963985	2	WASHER, A6.4
60	9961919927	2	WASHER, SPRING, B6
61	9019875957	2	CONNECTION, flat pin bushing
62	006003493	2	SCREW, M5 x 12

WWW.KORMO.BY

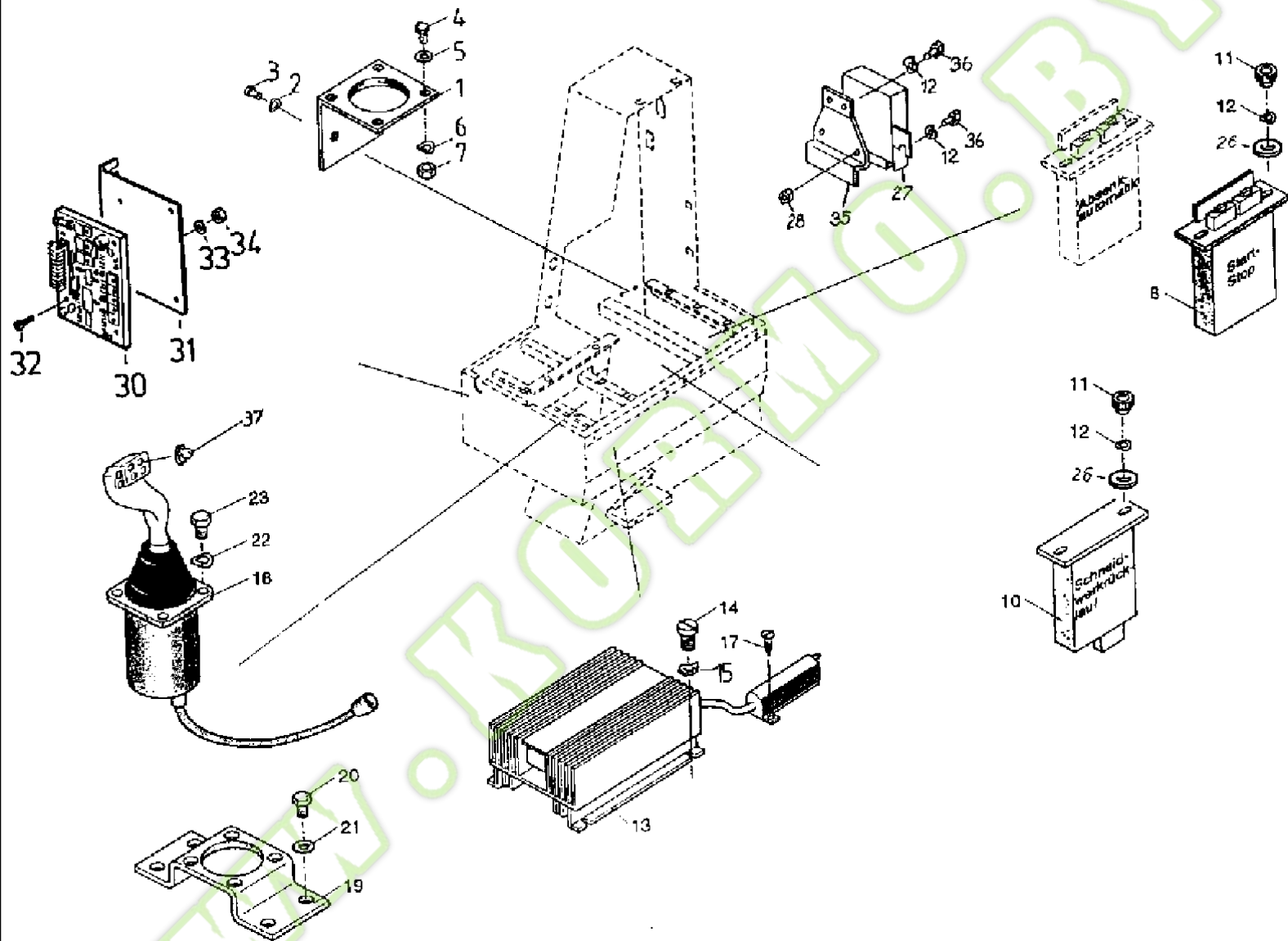


08-19 ELECTRICAL EQUIPMENT, CONTROL CONSOLE I

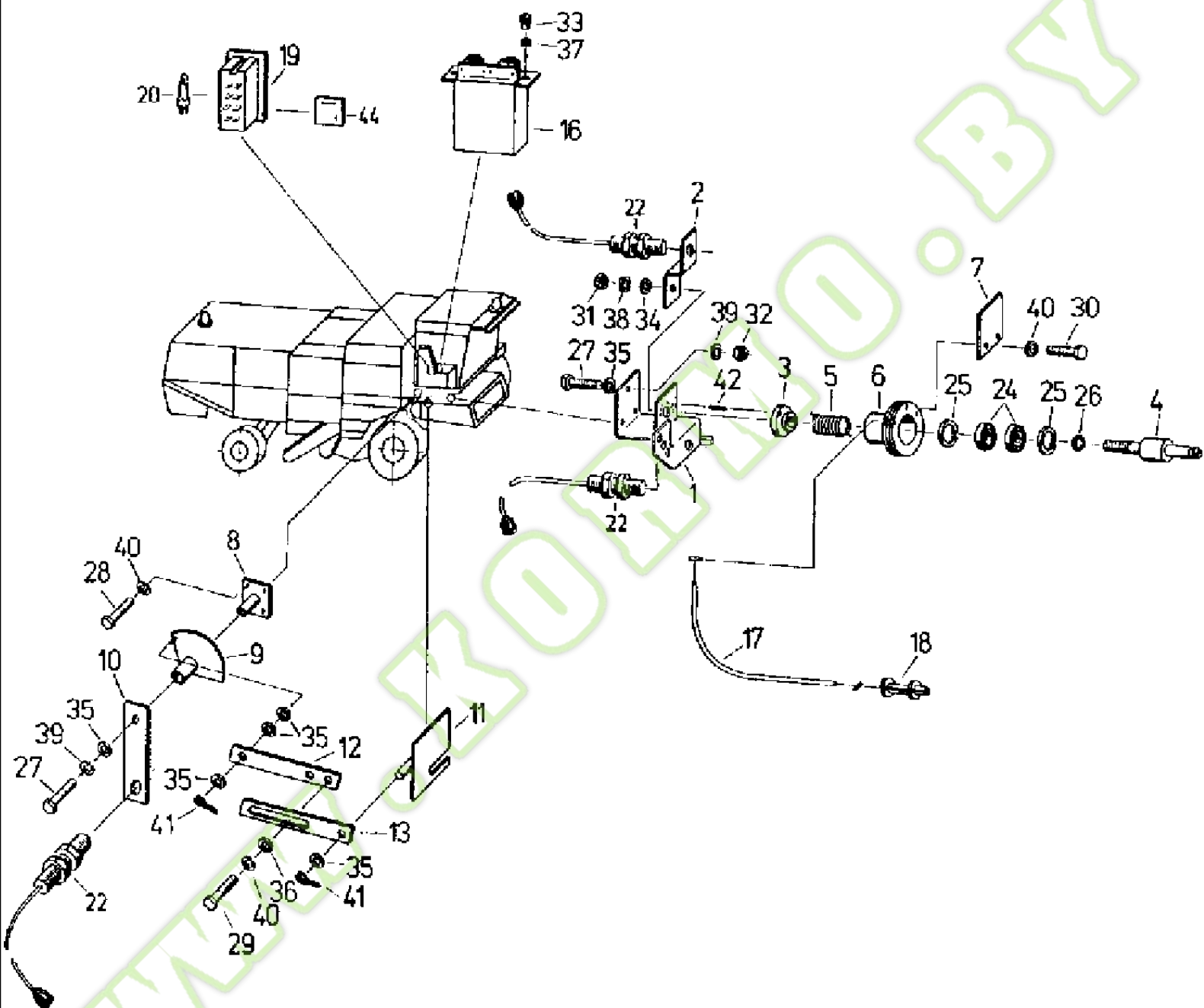
Ref	Part Number	Qty	Description
1	003790541	1	SOCKET, plug
2	060157816	4	BULB, tell-tale
3	060157832	1	INSERT, switch, ge
4	060157840	1	INSERT, switch, gn
5	9019059903	17	BULB,
6	9019636002	1	PUSH BUTTON, heater-starter switch
7	060157711	1	SWITCH, toggle
8	060157824	1	SWITCH, insert
9	9019059897	1	BULB,
10	060157777	2	SWITCH, toggle
11	060504980	1	SYMBOLS, switch insert
12	060160354	1	HOLDER, switch insert
13	060157744	1	SWITCH, toggle
14	060160338	1	SYMBOLS, switch insert
17	061033105	1	DECAL,
18	060512714	1	SWITCH, toggle
19	060157881	2	HOLDER, switch insert
27	061021288	1	SYMBOLS, switch insert
30	060157728	1	SWITCH, toggle
31	060506250	1	CLUSTER, INSTRUMENT, switch insert
32	060157703	1	SWITCH, toggle
33	060160313	1	CONNECTION, ELECTRIC, switch insert
34	060157736	1	SWITCH, toggle
35	060160305	1	SYMBOLS, switch insert
36	003793368	6	SHROUD,
37	060508461	1	SWITCH, push button
39	060157785	1	SWITCH, toggle
40	060160346	1	SYMBOLS, switch insert
41	060157728	1	SWITCH, toggle switch
42	060157865	1	HOLDER, switch insert
43	060157873	1	SYMBOLS, switch insert
46	060157703	1	SWITCH, toggle
47	060157857	1	HOLDER, switch insert
48	9999849998	1	AUTOM. CIRCUITBREAKER, overload release
49	060507565	8	BULB,
50	060533487	1	INDICATOR, display unit
51	060508453	1	INDICATOR, insert
52	060512691	1	SWITCH, insert
53	061033090	1	SYMBOLS,
54	060512843	1	POTENTIOMETER,
55	060508486	1	SWITCH,



Ref	Part Number	Qty	Description
1	061052647	1	CABLE, main harness
2	061032844	1	RELAY, support
3	9961919902	8	WASHER, SPRING, B 5
4	9936939538	8	SCREW, cheese-head, M5 x 6 -5.8
7	060503272	33	RELAY,
8	9965962315	4	WASHER, A 5.3
9	9961919902	4	WASHER, SPRING, B 5
10	9951895534	4	NUT, knurled, M 5 -5
11	4260712992	1	DIODE, plug
12	060520827	8	SCREW, hex, M3 x 12 -5.8
13	9960919823	8	WASHER, A 3.2
14	9961966966	8	WASHER, SPRING, B 3
15	9950894093	8	NUT, hex, M 3-8
16	9961919902	4	WASHER, SPRING, B 5
17	9936939538	4	SCREW, cheese-head, M5 x 6 -5.8
18	060152467	12	CABLE, connection
19	060172093	5	CLAMP,
23	060502087	5	FUSE BOX,
24	060502101	13	FUSE, 4 A
25	060502118	12	FUSE, 8 A
26	060502126	11	FUSE, 16 A
27	060502134	4	FUSE, 25 A
28	060502095	25	BRIDGE,
29	9960921457	10	WASHER, A4.3
30	9937939135	10	SCREW, metal, ST3.5 x 9.5
31	060505893	1	SWITCH, guard, 50 A
32	9019974035	1	UNIT, FLASHER,
33	9961919902	10	WASHER, SPRING, B 5
34	9936939538	10	SCREW, cheese-head, M5 x 6 -5.8
39	061028245	1	PLATE, plug
40	9961919902	2	WASHER, SPRING, B5
41	9936939538	2	SCREW, cheese-head, M5 x 6 -5.8
42	060512706	2	DIODE, combination
43	060502167	1	DIODE, locking

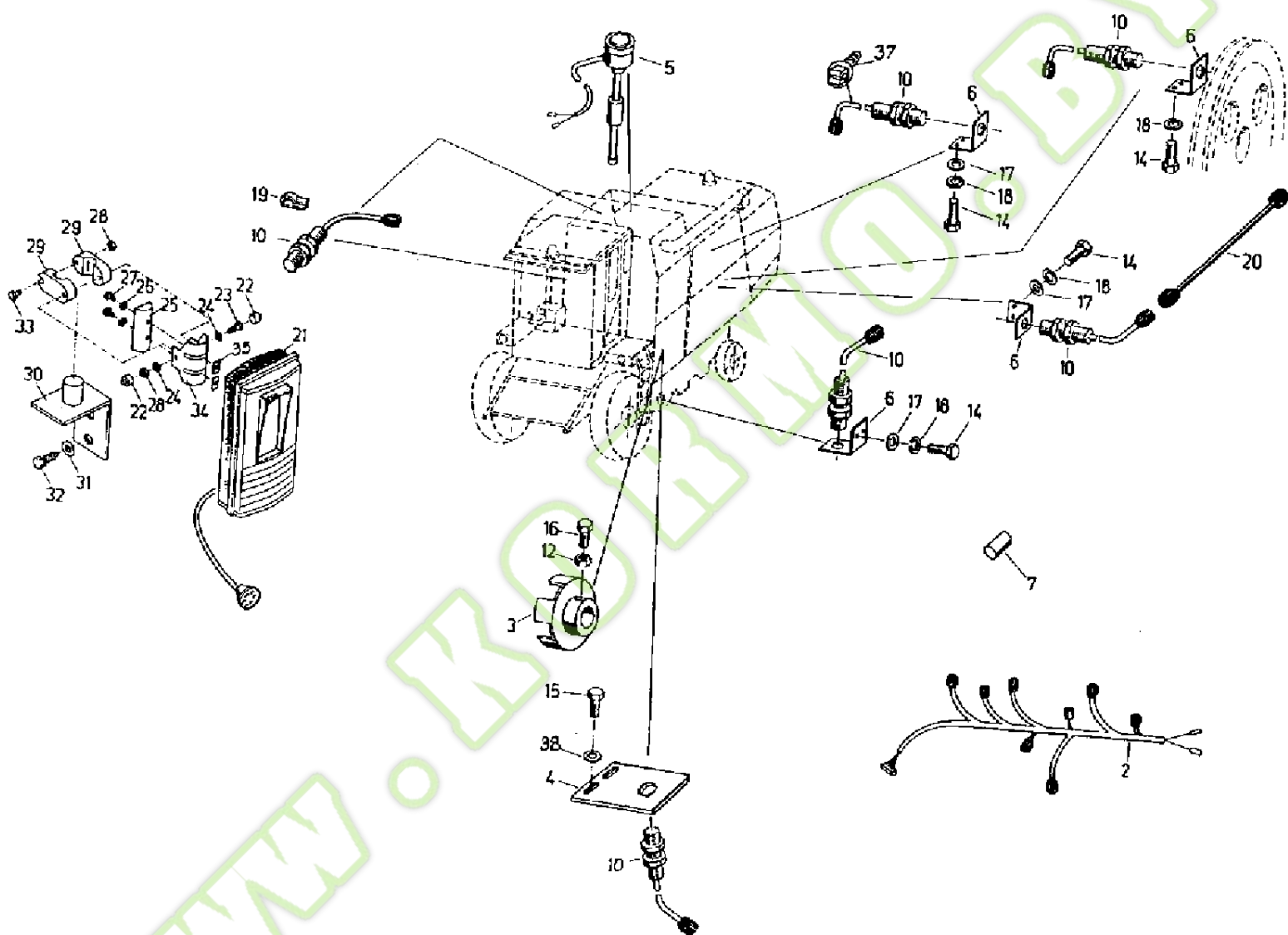


Ref	Part Number	Qty	Description
1	061023948	1	BRACKET, holder, X1
2	9961919902	2	WASHER, SPRING, B5
3	006335606	2	SCREW, hex, M5 x 10 -5.8
4	060520827	4	SCREW, hex, M3 x 12 -5.8
5	9960919823	4	WASHER, A 3
6	9961966966	4	WASHER, SPRING, B 3
7	9950894093	4	NUT, hex, M3 -8
8	060509382	1	AUTOM. CIRCUITBREAKER, KBG
10	060512747	1	PIPE, RETURN, KBG
11	9951895534	6	NUT, knurled, M 5 -5
12	9961919902	10	WASHER, SPRING, B5
13	060503071	1	TRANSFORMER,
14	006001305	4	SCREW, cheese-head, M5 x 8 -5.8
15	9961919902	4	WASHER, SPRING, B 5
17	060509341	2	SCREW, metal, 2.9 x 9.5
18	060183071	1	LEVER, accelerator, S
19	061011768	1	BOW,
20	9933928980	6	SCREW, hex, M5 x 12 -8.8
21	060505321	4	PLATE, LOCKING, WASHER, VSF M 5
22	9961919927	4	WASHER, SPRING, B 6
23	9933929651	4	SCREW, hex, M6 x 14 -8.8
26	9965962315	6	WASHER, A 5.3
27	061031378	1	AMPLIFIER, proportional
28	006213478	2	NUT, hex, M5 -8
30	060150280	1	AMPLIFIER, proportional
31	060179364	1	HOLDER, bracket, PV
32	060501414	3	SCREW, lens-head, M4 x 20-4.8
33	9960921457	3	WASHER, A 4.3
34	9950895496	3	NUT, hex, M4-8
35	061037703	1	HOLDER, intake
36	006335606	4	SCREW, hex, M5 x 10 -8.8
37	060531307		FAIRING, LIGHT, CAP rubber, n.B.



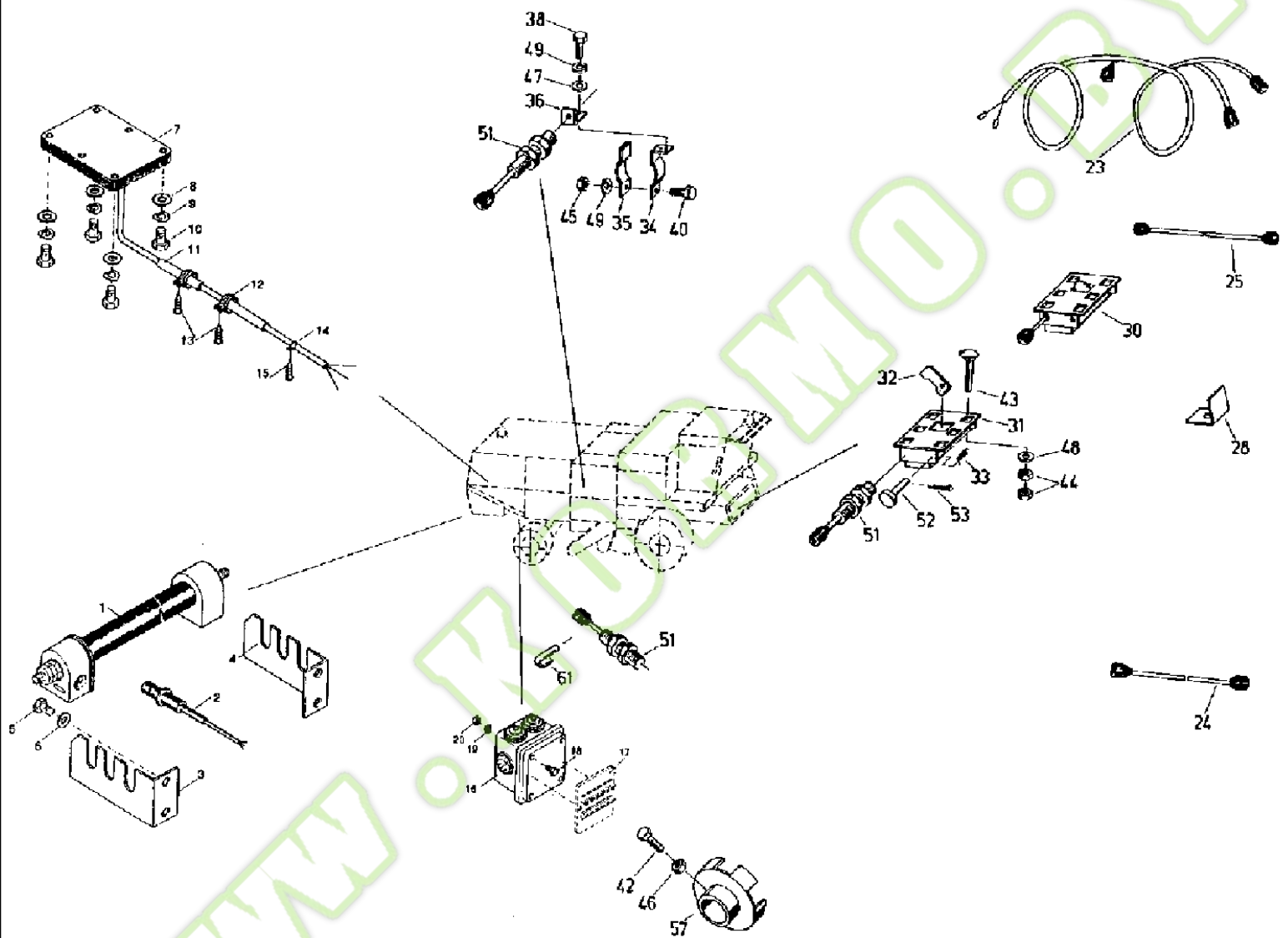
08-27 AUTOMATIC LOWERING DEVICE

Ref	Part Number	Qty	Description
1	060212078	1	RETAINER,
2	4260701313	1	RETAINER,
3	4260701321	1	RING,
4	4260701338	1	PIN, LARGE, BOLT
5	4260701346	1	SPRING,
6	4260701354	1	ROPE PULLEY, sheave
7	4260701362	1	SHEET, plate
8	4260701370	1	SUPPORT, BASE bearing
9	4260701387	1	WASHER, switch wafer
10	4260701395	1	SHIN, strap
11	4260701258	1	JOURNAL,
12	4260701266	1	CONTACT, piece, 1
13	4260701274	1	CONTACT, piece, 2
16	4260703821	1	CONTROL, automatic lowering
17	060195540	1	ROPE, METAL, CONTROL cable, 1884 x 1550 x 316
18	060524027	2	SET SCREW, BOLT adjusting, B-M 6x34
19	060157736	1	SWITCH, toggle
20	9019059897		BULB, n.B.
22	060508590	3	SWITCH, initiator, Bi 5U-EM18-AN4X/S301
24	9902892845	2	BEARING, ball, 6000 RS
25	9964917682	2	CIRCLIP, 26 x 1.2
26	9964917110	1	CIRCLIP, 10 x 1
27	9933930001	4	SCREW, hex, M8 x 20 -8.8
28	006338385	3	SCREW, hex, M6 x 16 -8.8
29	9933929161	2	SCREW, hex, M6 x 10 -8.8
30	9933929200	2	SCREW, hex, M6 x 12 -8.8
31	006213935	1	NUT, hex, M10 -8
32	006214776	3	NUT, hex, M8 - 10
33	9951895534	2	NUT, knurled, M 5 -5
34	9960921787	1	WASHER, A10.5
35	9960921633	8	WASHER, A8.4
36	006510927	2	WASHER, A6.4
37	9965962315	2	WASHER, A5.3
38	9961911085	1	WASHER, LOCK, spring, B 10
39	9961910976	4	SPRING, WASHER lock, B 8
40	006455742	7	WASHER, LOCK, spring, B 6
41	9963949424	2	PIN, SPLIT (COTTER), 2 x 16
42	9967942430	1	PIN, grooved, 4 x 12
44	060160305	1	SYMBOLS, switch insert



08-31 CONTROL SYSTEM I

Ref	Part Number	Qty	Description
2	060199206	1	HARNES, cable, f
3	060184907	1	WASHER,
4	060210566	1	PLATE,
5	060506226	1	TRANSMITTER, ke
6	4240020101	4	ANGLE BAR,
7	4240031395	32	SLEEVE,
10	060508590	6	SWITCH, initiator, Bi 5U-EM 18-AN 4X/S301
12	9950896150	1	NUT, hex, M10 -05
14	9933929651	8	SCREW, hex, M6 x 14 -8.8
15	006337962	2	SCREW, hex, M6 x 20 -8.8
16	9933929065	1	SCREW, hex, M10 x 20 -8.8
17	006510927	6	WASHER, A6.4
18	006455742	8	WASHER, LOCK, spring, B 6
19	9923925641	3	CIRCLIP, 36
20	060508638	1	SHIN, LINE connecting
21	060533245	1	CONTROL, COMPUTER board
22	060506740	2	CAP, vent, M 8
23	006334131	1	SCREW, hex, M8 x 45 -8.8
24	9960921633	2	WASHER, A8.4
25	060506757	1	SUPPORT, gib
26	9960919108	2	WASHER, 5.3
27	006332685	2	SCREW, hex, M5 x 20 -8.8
28	006213830	2	NUT, hex, M8 -8
29	060506765	2	HOLDER,
30	061022352	1	RETAINER,
31	060505756	2	PLATE, LOCKING, WASHER, VSF M 6
32	006335606	2	SCREW, hex, M 5 x 10 -8.8
33	9933930001	1	SCREW, hex, M8 x 20 -8.8
34	060506781	1	BOW,
35	060506773	2	NUT,
37	060509325	2	CLIP, plastic
38	006576010	2	WASHER, locking, VSF M 6



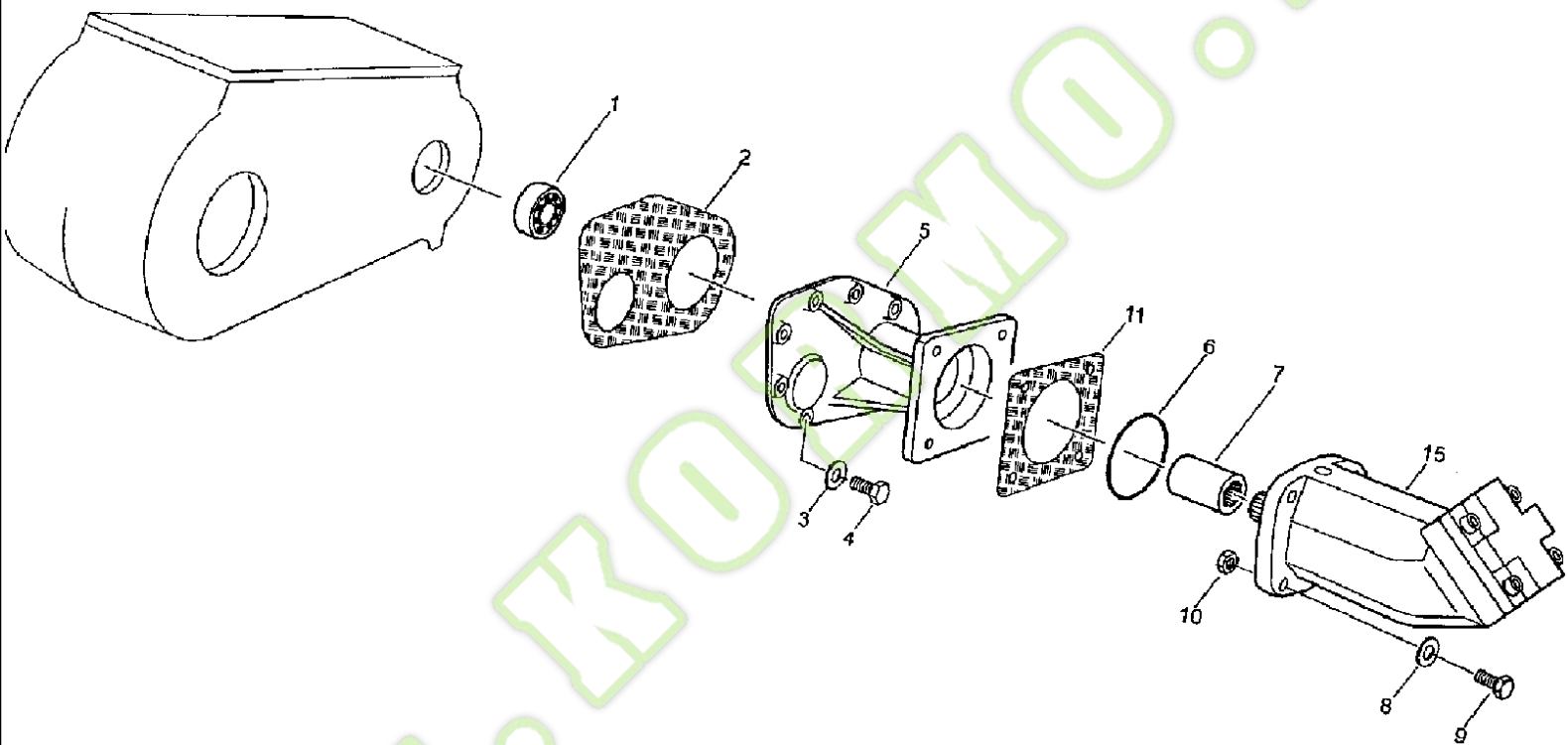
08-33 CONTROL SYSTEM II

Ref	Part Number	Qty	Description
1	060510841	1	POINTER, sensor
2	060506820	1	CABLE,
3	061011622	1	CARRIER, support, g
4	061011614	1	CARRIER, support, f
5	9933959415	4	SCREW, hex, M8 x 22 -8.8
6	9999853117	4	PLATE, LOCKING, WASHER, VSF M 8
7	060506837	2	PROBE,
8	006510927	8	WASHER, 6.4
9	9961919927	8	WASHER, SPRING, B6
10	006338385	8	SCREW, hex, M6 x 16 -8.8
11	060506878	2	GROMMET, NOZZLE cable
12	060506845	2	CLAMP, pipe
13	060506853	2	SCREW, 6.3 x 19
14	060506861	1	CLAMP,
15	9937939272	1	SCREW, metal, 4.2 x 9.5
16	060506798	1	PANEL, CONTROL, box
17	060506804	1	PLATE, ELEC. SUPPORT, platine
18	9933929651	2	SCREW, hex, M6 x 14 -8.8
19	9961919927	2	WASHER, SPRING, B 6
20	006213734	2	NUT, hex, M6 -8
21	060510833	1	SENSOR, set
23	060207015	1	HARNESS, cable, g
24	060508638	1	SHIN, LINE connecting
25	060508621	1	SHIN, LINE connecting
28	4260703130	4	CLAMP, screw
30	4260699856	1	SWITCH, crop
31	4260699936	1	BODY, basic
32	4260703163	1	LEVER, push button
33	4260699952	1	SPRING,
34	4254132835	1	RETAINER,
35	4254132851	1	RETAINER,
36	4254132843	1	ANGLE BAR,
38	9933929651	4	SCREW, hex, M6 x 14 -8.8
40	006338713	2	SCREW, hex, M6 x 25 -8.8
42	9933929065	1	SCREW, hex, M10 x 20 -8.8
43	9945926075	2	SCREW, round-head, M6 x 16 -8.8
44	006213734	4	NUT, hex, M6 -8
45	9950895502	8	NUT, hex, M6 -10
46	9950896150	1	NUT, hex, M10 -05
47	006510927	2	WASHER, A 6.4
48	9960919856	2	WASHER, 6.6
49	006455742	6	WASHER, LOCK, spring, B 6
51	060508590	3	SWITCH, initiator, Bi 5U-EM18-AN 4X/S301
52	4260707905	1	PIN, LARGE, BOLT
53	9963949762	1	PIN, SPLIT (COTTER), 3.2 x 16

08-33 CONTROL SYSTEM II

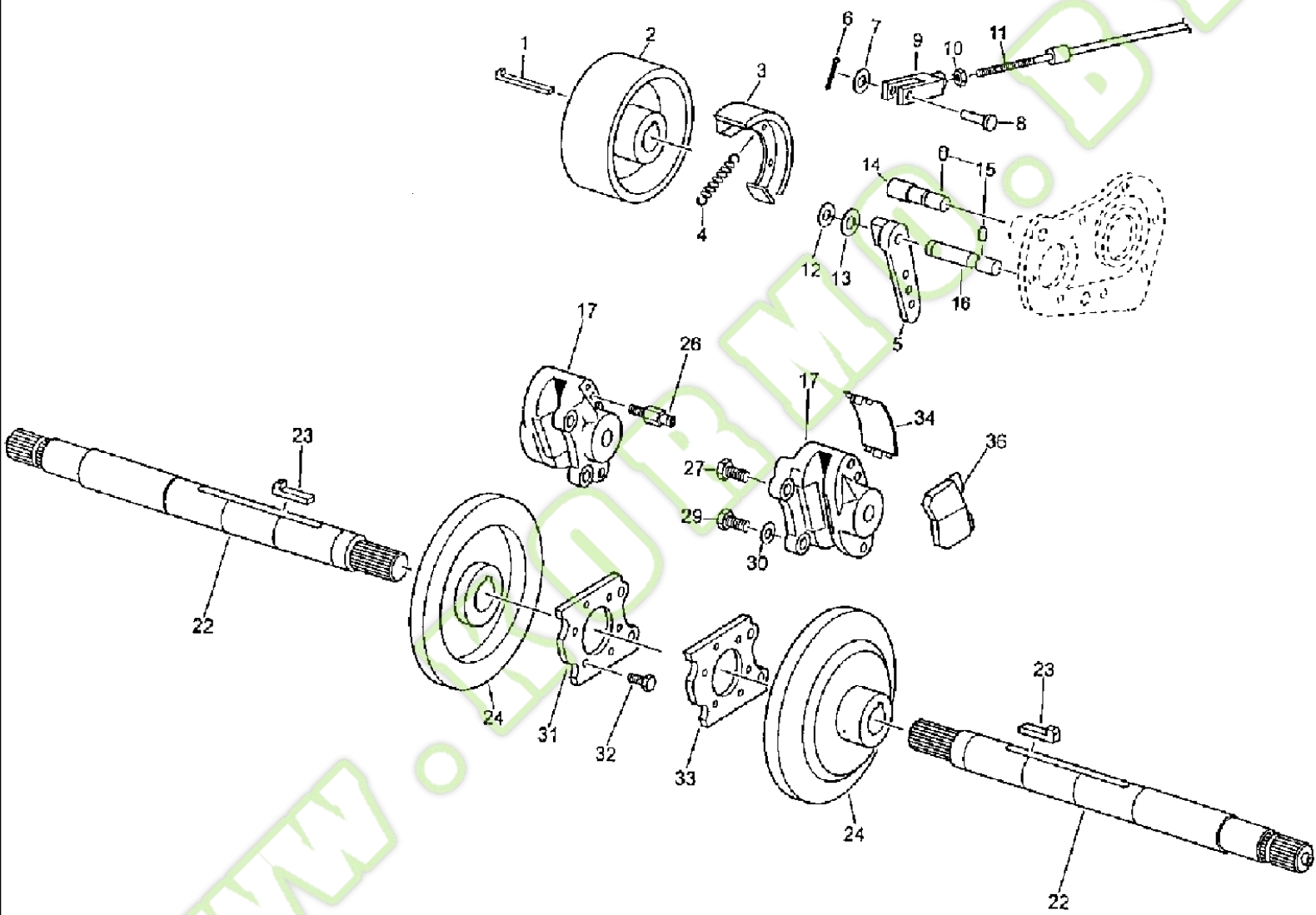
Ref	Part Number	Qty	Description
57	060184907	1	WASHER,
59	9933929651	6	SCREW, hex, M6 x 14 -8.8
61	9923925641	4	CIRCLIP,

WWW.KORMO.BY



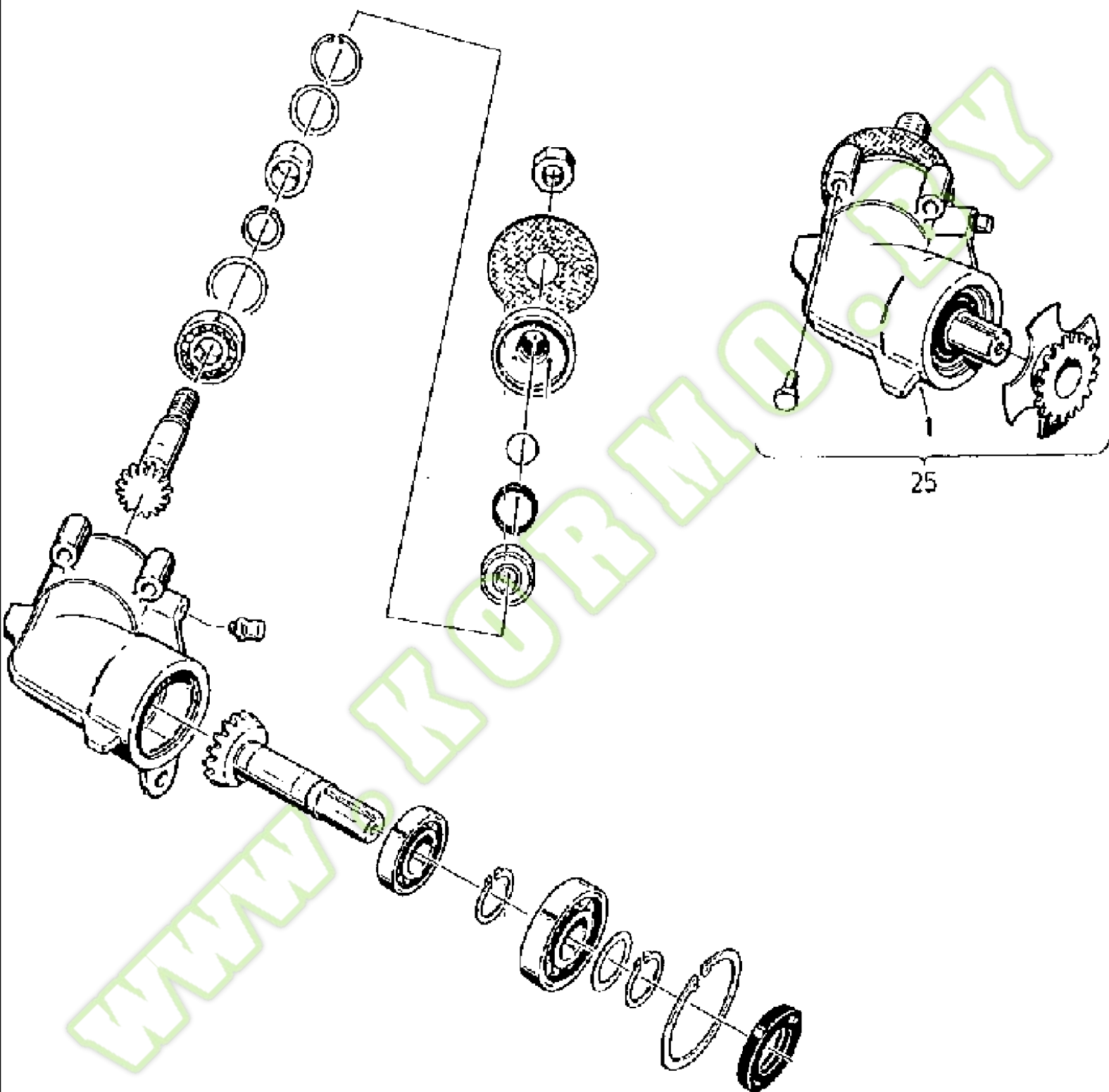
Ref	Part Number	Qty	Description
1	060515540	1	BEARING, taper roller
2	060515557	1	GASKET,
3	9961911245	9	WASHER, LOCK, RING spring
4	9933931123	9	SCREW, hex, M10 x 30 -8.8
5	060515565	1	HOUSING, flange
6	060523331	2	O-RING, packing
7	060523323	1	RING, GUIDE, BUSH profile
8	9933932462	4	SCREW, hex, M12 x 90 -8.8
9	9961911198	4	WASHER, LOCK, spring, A12
10	006214140	4	NUT, hex, M12 -8
11	060523315	1	FLANGE, intermediate
15	4260713911	1	MOTOR, HYDRAULIC, PISTON axial

WWW.KORMO.BY



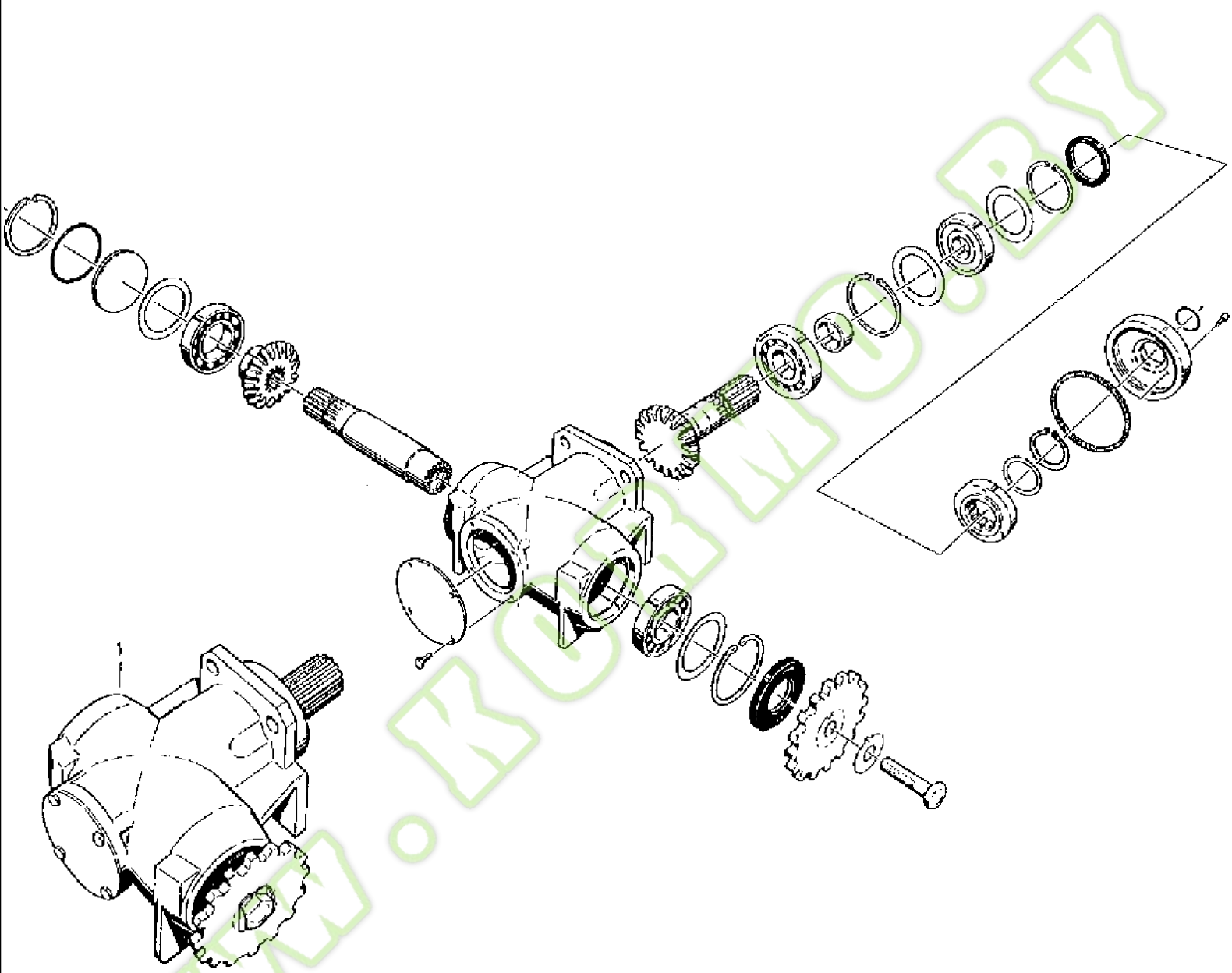
09-05 BRAKE SYSTEM - S

Ref	Part Number	Qty	Description
1	003502415	1	KEY, BUCKET TOOTHRT, gib-head, 10 x 8 x 56
2	060515604	1	DRUM, BRAKE,
3	060515612	2	SHOE, BRAKE,
4	060515645	2	SPRING, tension
5	060515653	1	CAM, brake
6	9963949762	1	PIN, SPLIT (COTTER), 3.2 x 16
7	9960923153	1	WASHER, 11
8	9949863072	1	PIN, LARGE, BOLT, B10 h11 x 30 x 24
9	9969883232	1	CRADLE, head, G10 x 40
10	006213935	1	NUT, hex, M10 -8
11	061028696	1	BRAKE, cable
12	9964917127	1	CIRCLIP, 14 x 1
13	060515620	1	WASHER, 14 x 30 x 2
14	060515637	1	PIN, LARGE, BOLT, 20 x 72
15	006036532	2	SCREW, threaded pin, M8 x 16
16	060515661	1	SCREW,
17	060515694	1	KIT, repairing
22	060513305	2	SHAFT, counter
23	060513321	2	KEY, gib-head, 14 x 9 x 75
24	060515678	2	BRAKE DISC,
25	060515686	1	CALIPER, BRAKE, SADDLE fixed
26	060510882	2	BREATHER, valve
27	060515700	2	SCREW, precision
29	9935960376	2	SCREW, hex, M16 x 1, 5 x 45 -10.9
30	060515717	2	RING, SNAP,
31	060515725	1	FLANGE, g
32	9933932542	12	SCREW, hex, M12 x 40 -10.9
33	060515733	1	FLANGE, f
34	060515741	2	COVER, sealing
35	060515758	1	CALIPER, BRAKE, SADDLE fixed
36	060515766	2	BRAKE, PAD, lining
37	9950896310	12	NUT, hex, M12 -10



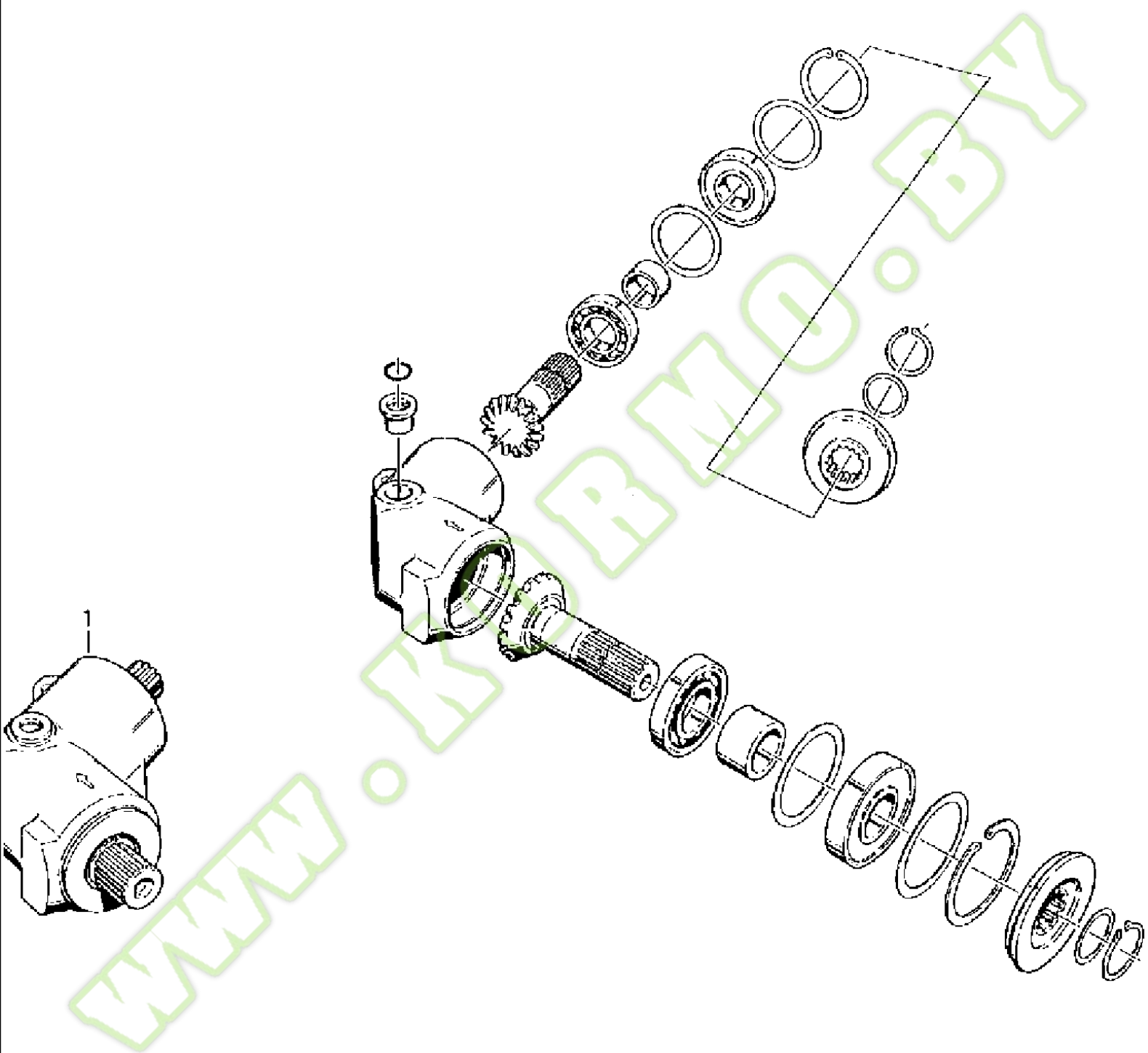
Ref	Part Number	Qty	Description
1	020058267	1	DRIVE, ANGLE, TRANSMISSION bevel wheel
1	060194347	1	HOUSING, TRANSMISSION bevel wheel
25	060167947	1	DRIVE, ANGLE, wheel, ke, - 85-0258

WWW.KORMO.BY



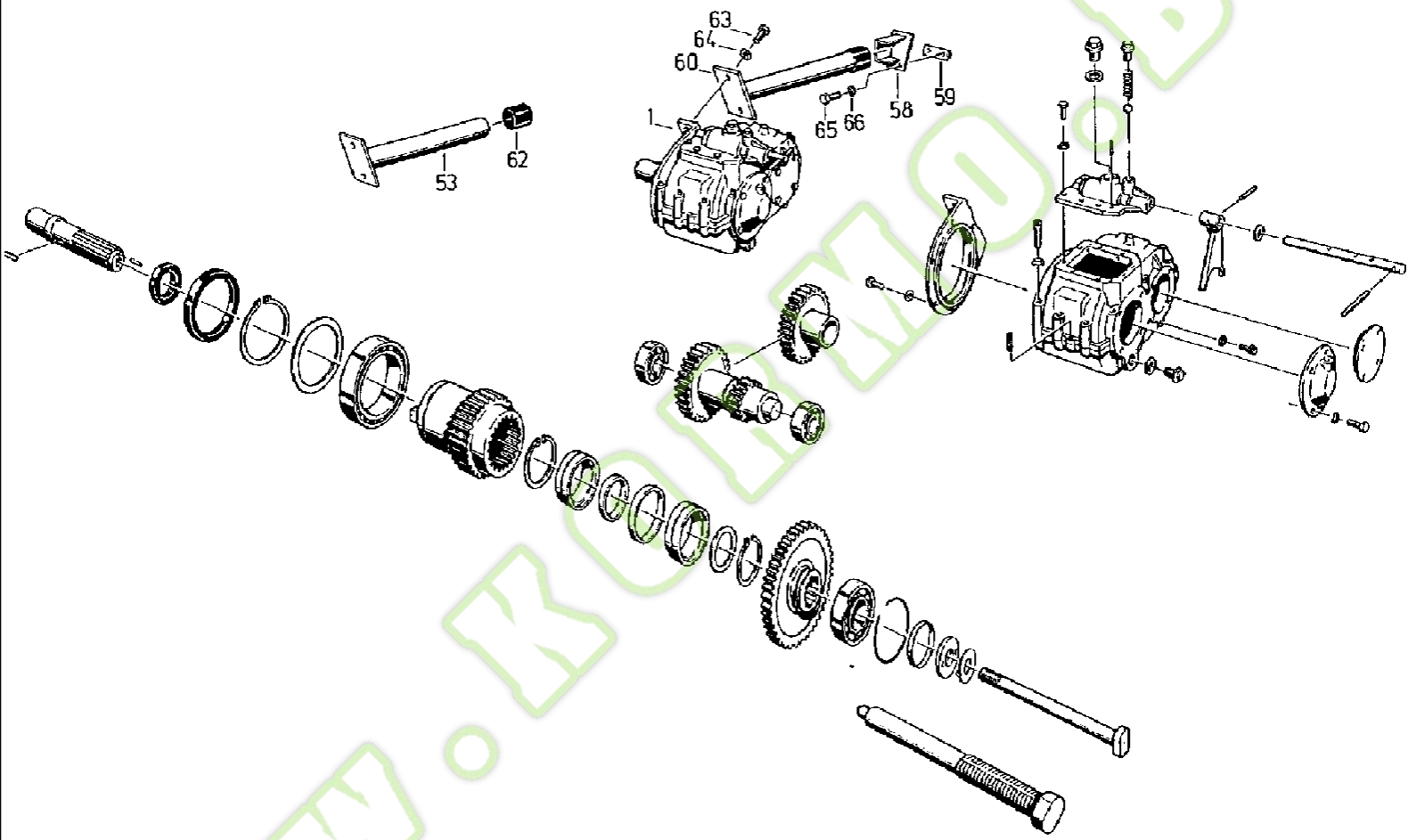
Ref	Part Number	Qty	Description
1	020053012	1	GEAR, TRANSMISSION bevel wheel
1	060194291	1	GEAR, TRANSMISSION bevel wheel

WWW.KORMO.BY



Ref	Part Number	Qty	Description
1	4260688218	1	GEAR, TRANSMISSION bevel wheel
1	060194275	1	GEAR, TRANSMISSION bevel wheel

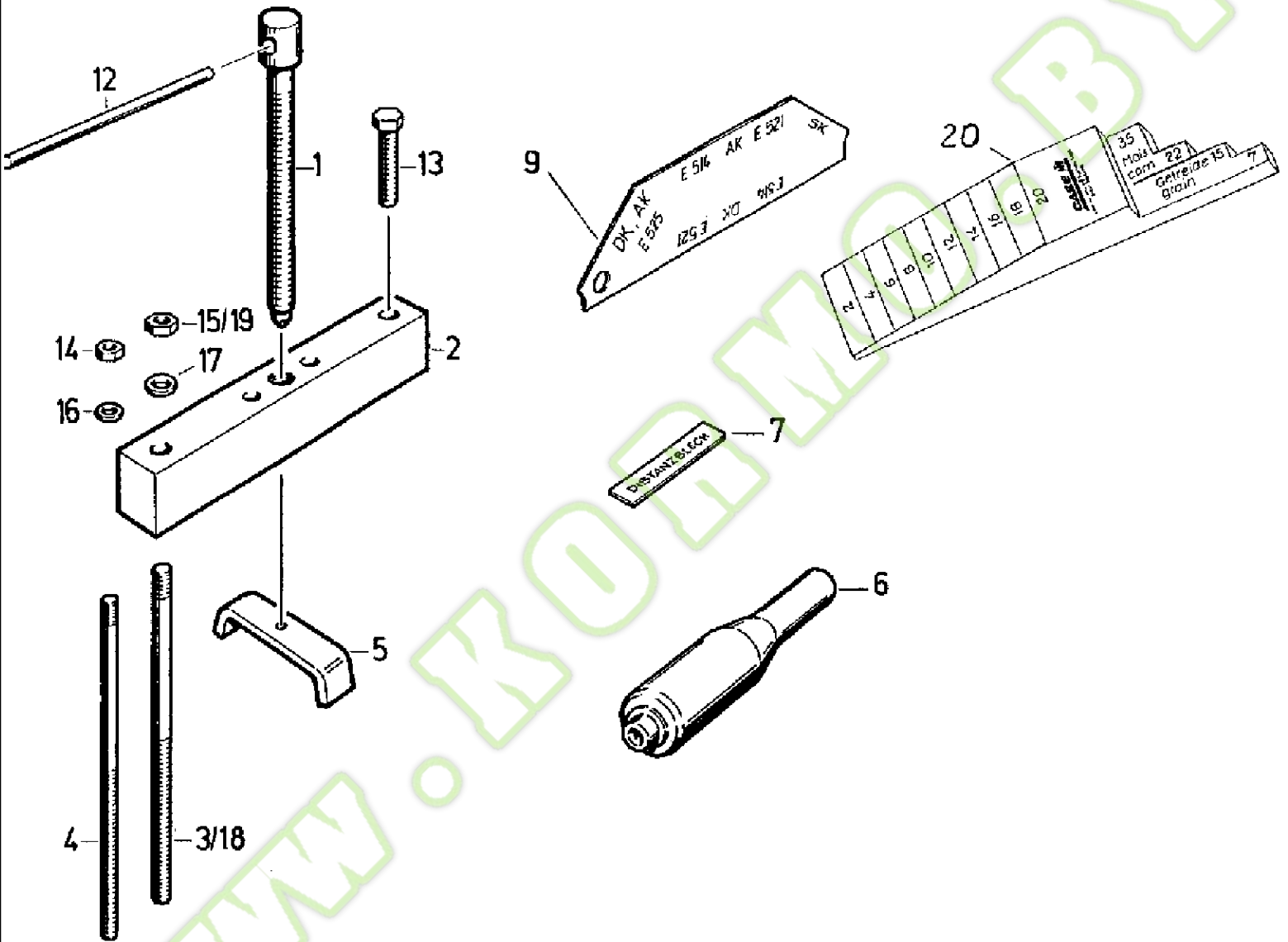
WWW.KORMO.BY



09-13 CYLINDER GEAR

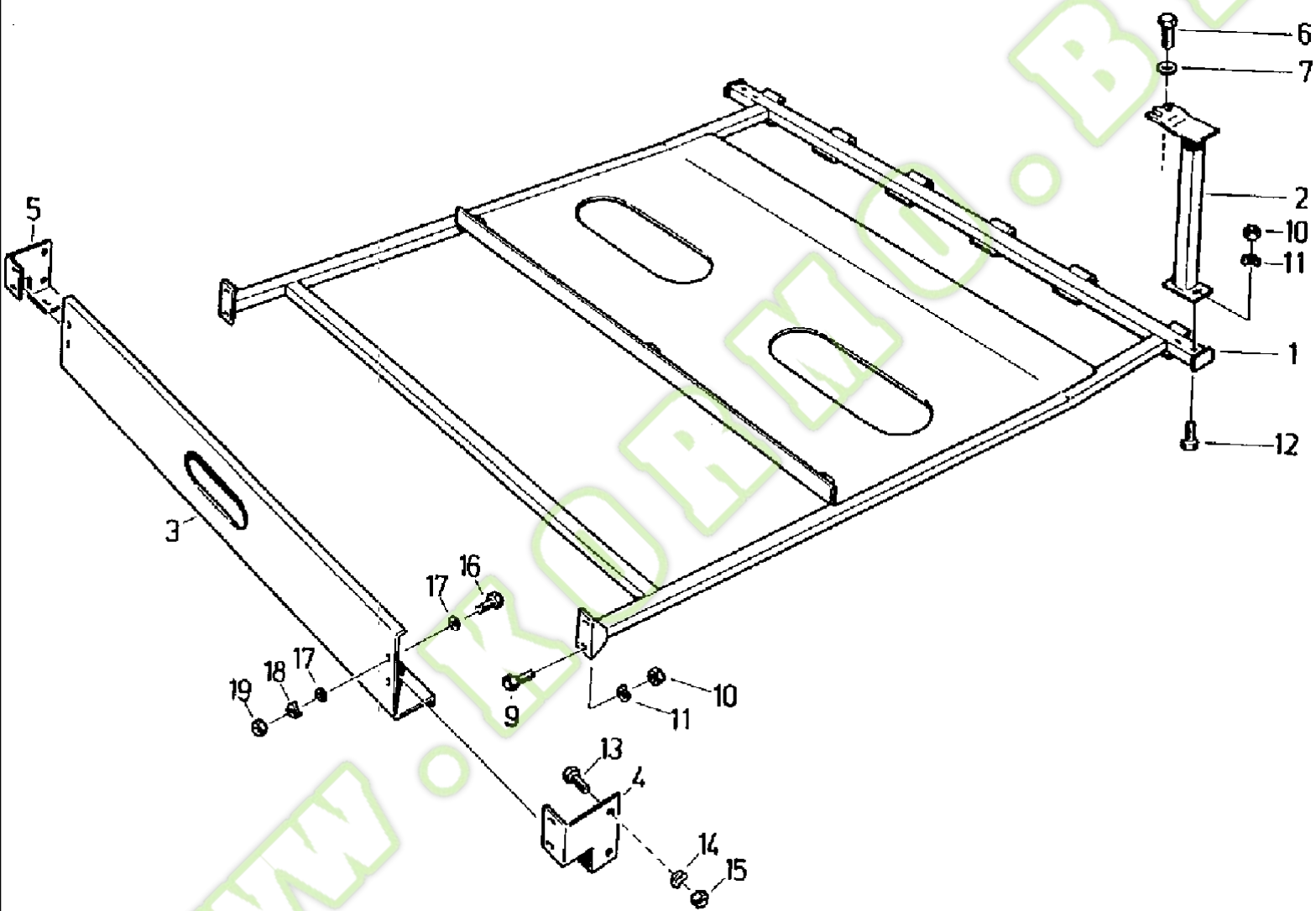
Ref	Part Number	Qty	Description
1	060526664	1	TRANSMISSION,
1	060194283	1	TRANSMISSION,
53	4228650664	1	ROD, retaining
58	4260696652	1	SUPPORT,
59	4260696660	1	PLATE,
60	4260696677	1	ROD, retaining
62	4260696685	1	HOSE, LARGE, PART dampening
63	9933931123	2	SCREW, hex, M10 x 30 -8.8
64	9961924491	2	DISC, NOTCHED, toothed, A10.5
65	006344037	2	SCREW, hex, M10 x 25 -8.8
66	9961920004	2	WASHER, SPRING, B10

WWW.KORMO.BY

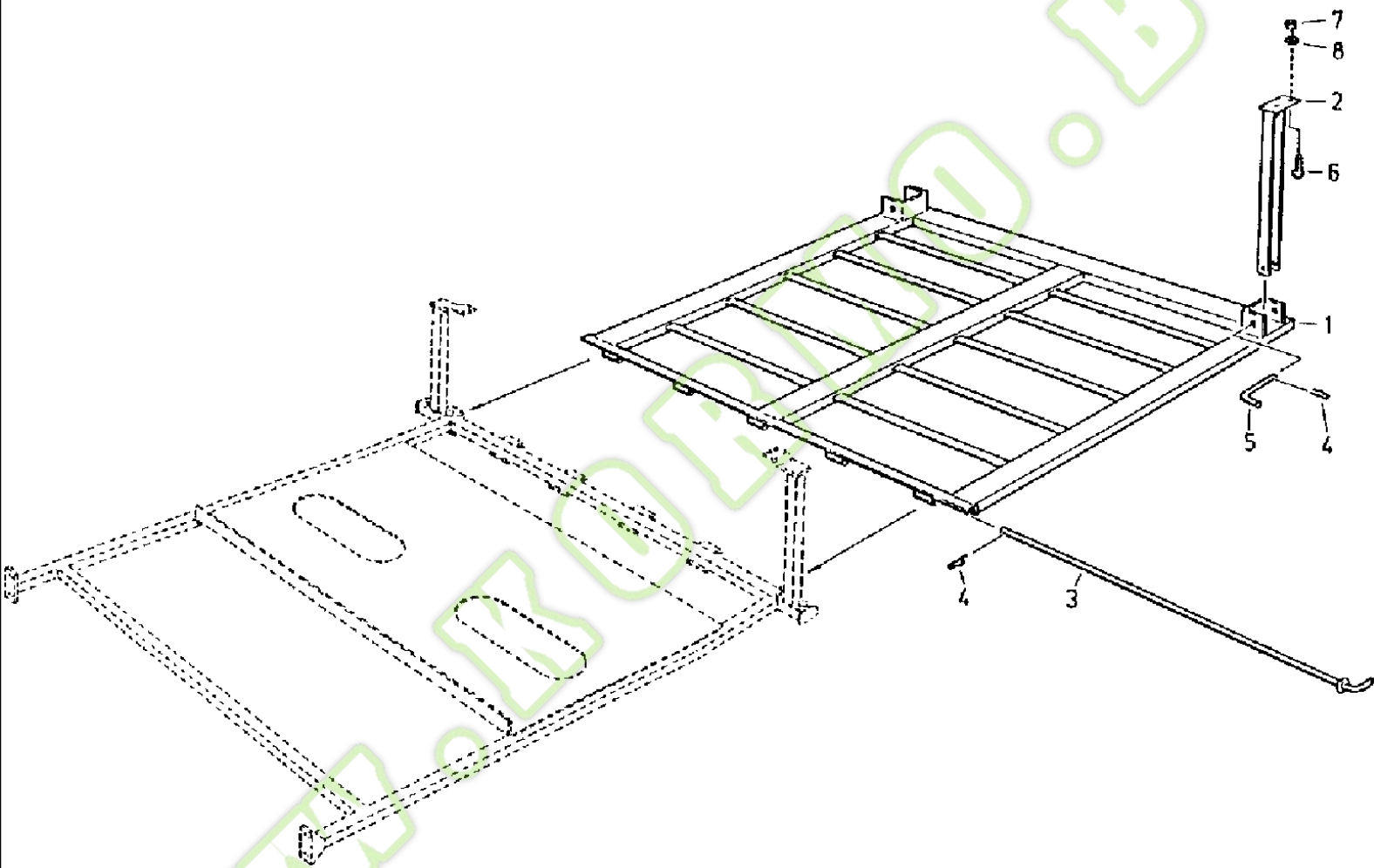


10-03 SPECIAL TOOLS

Ref	Part Number	Qty	Description
1	4247035970	1	SPINDLE, SCREW
2	4221650822	1	CROSSBAR, MEMBER
3	4247035987	2	HOOK, SPINDLE
4	4247035995	2	HOOK, SPINDLE
5	060184097	1	BRIDGE,
6	4260708352	1	SHAFT,
7	4247033487	1	SHEET, SPACER
9	060201372	1	GAUGE, CLURCH
12	4240054520	1	PIN, HANDLE, A 14
13	060508695	2	SCREW, hex, M16 x 1, 5 x 200 -8.8
14	006213935	2	NUT, hex, M10 -8
15	006214140	2	NUT, hex, M12 -8
16	9965963638	4	WASHER, 11 x 32 x 3
17	9965919298	4	WASHER, 14 x 32 x 3
18	4221650902	2	SPINDLE,
19	9950816841	2	NUT, hex, M16 -8
20	061072788	1	SLIDER, GUAGE adjusting

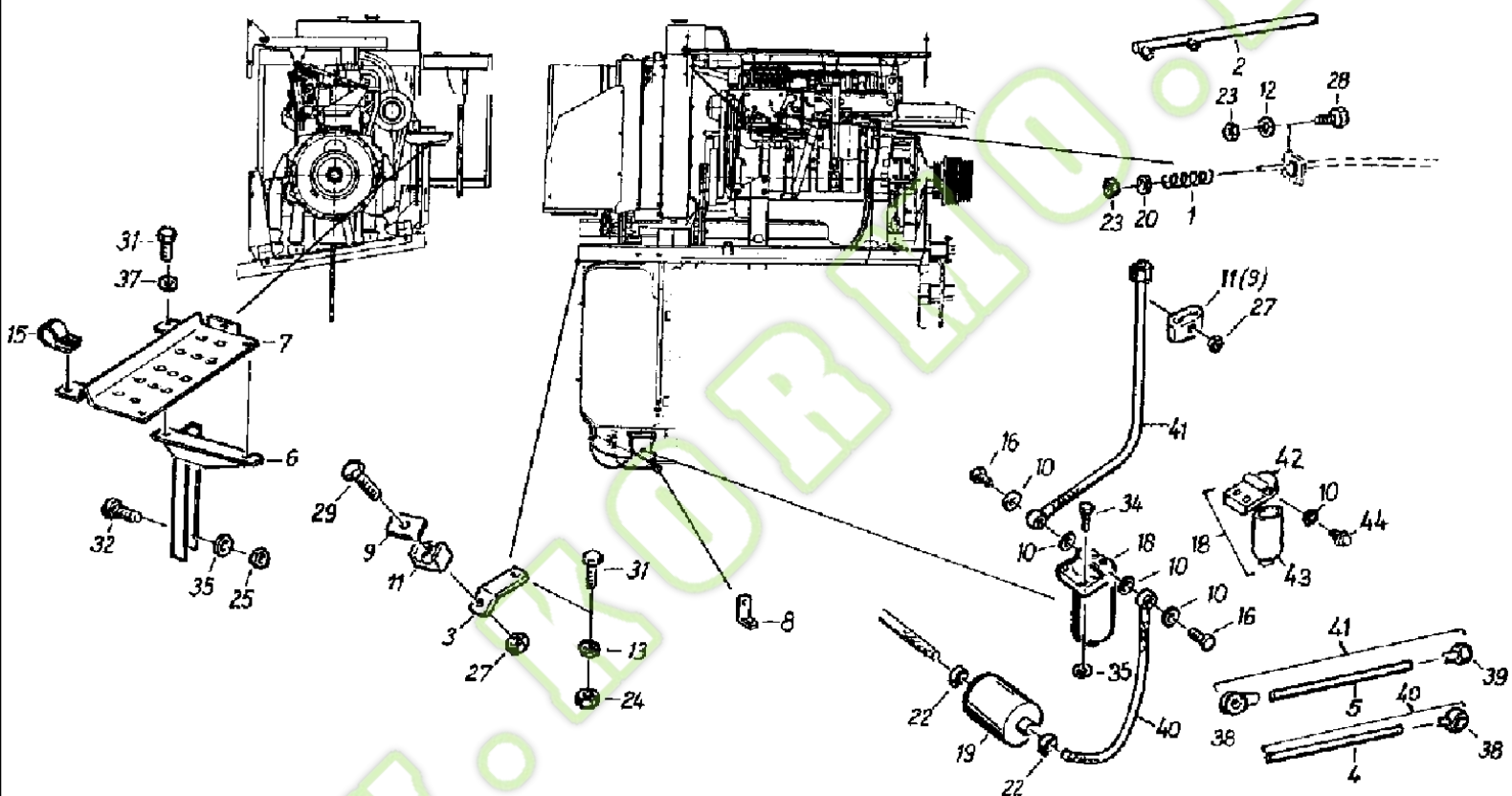


Ref	Part Number	Qty	Description
1	4260706904	1	PROTECTOR,
2	4260706912	2	SUPPORT,
3	4260706920	1	PROTECTOR,
4	4260706937	1	BRACKET, f
5	4260706945	1	BRACKET, g
6	9933932245	4	SCREW, hex, M12 x 50 -8.8
7	9960921988	4	WASHER, A13
9	006344037	4	SCREW, hex, M10 x 25 -8.8
10	006213935	8	NUT, hex, M10 -8
11	9961920004	12	WASHER, SPRING, B10
12	9933929065	4	SCREW, hex, M10 x 20 -8.8
13	9933930001	4	SCREW, hex, M8 x 20 -8.8
14	9961920061	8	WASHER, SPRING, B8
15	006213830	4	NUT, hex, M8 -8
16	9933958584	6	SCREW, hex, M6 x 18 -8.8
17	006510927	12	WASHER, A 6.4
18	9961919927	6	WASHER, SPRING, B6
19	006213734	6	NUT, hex, M6 -8



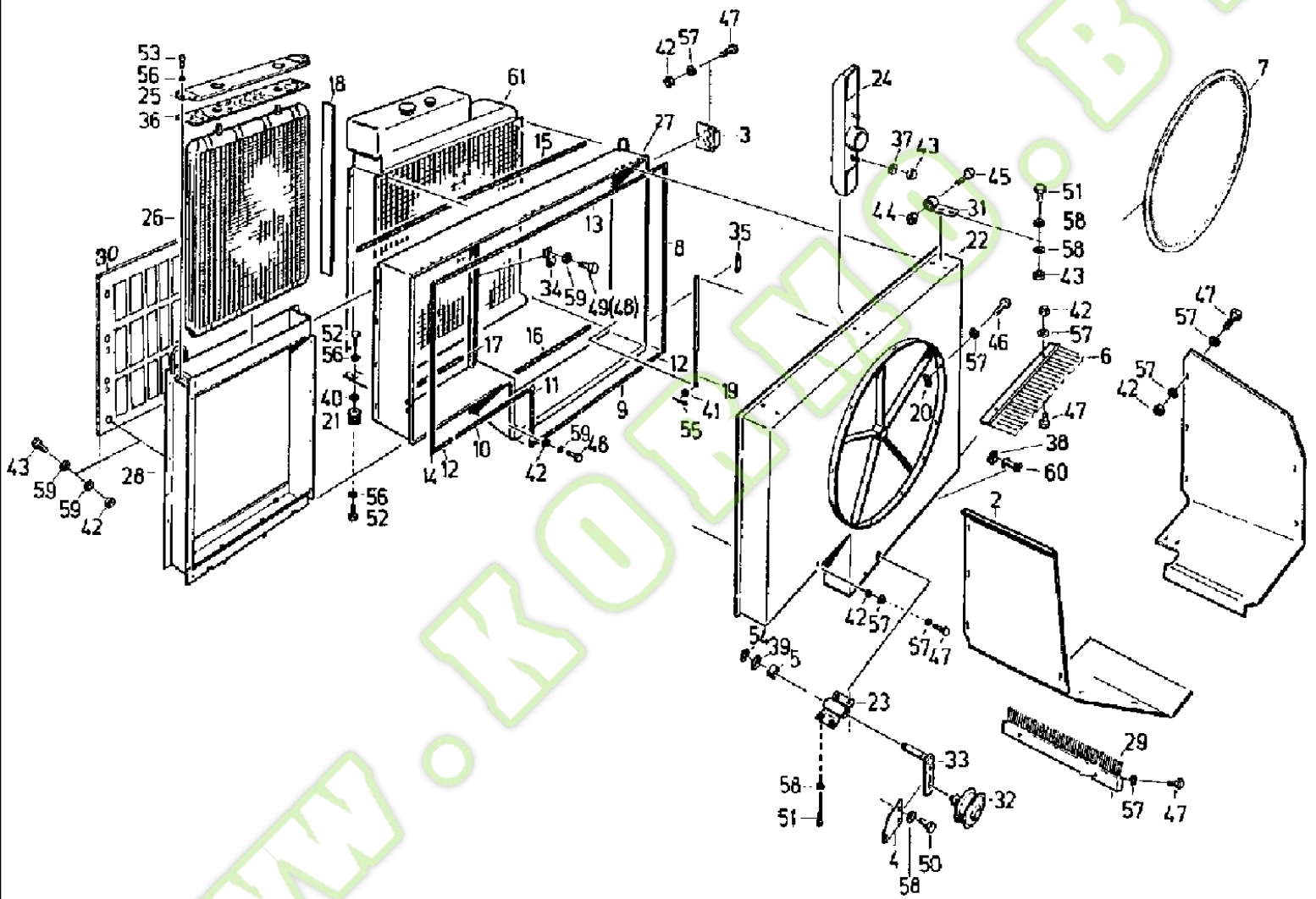
Ref	Part Number	Qty	Description
1	4260704211	1	PROTECTOR,
2	4260704228	2	SUPPORT,
3	4260704236	1	ROD,
4	9928939193	3	PIN, ROLL, hair cotter
5	9928939730	2	PIN, SPLIT (COTTER), BOLT handle
6	006344037	4	SCREW, hex, M10 x 25 -8.8
7	006213935	4	NUT, hex, M10 -8
8	9961920004	4	WASHER, SPRING, B10

WWW.KORMO.BY



11-03 ENGINE

Ref	Part Number	Qty	Description
1	060508935	1	SPRING, COMPRESSION, B1, 8 x 11 x 14.5
2	060142705	1	TOGGLE, lock
3	060206883	1	SHIN, PLATE fish
4	060206922	1	PIPE,
5	072018788	1	PIPE,
6	4270721733	1	SUPPORT,
7	060206867	1	STEP,
8	060206891	1	ANGLE BAR,
9	060151538	5	COVER, PLATE, DPL 2
10	9970908353	5	GASKET, A14 x 18-CU
11	060516486	5	CLAMP, double, LNG2 10/10 PP
12	9961919902	2	WASHER, SPRING, B5
13	9961920061	19	WASHER, SPRING, B8
15	060527335	1	CLAMP, PIPE, D1-42 x 25-W1-1
16	9946927540	2	JACK SCREW, hollow, 10
17	060152467	5	CABLE, tie
18	060210638	1	TRAP, WATER, FILTER fuel
19	060503280	1	PUMP, fuel
20	9960962063	1	WASHER, 5.5
21	9964962783	18	WASHER, A8.4
22	006610963	2	CLAMP, hose, AL8-12-W2-1
23	006213478	4	NUT, hex, M5 -8
24	006213830	4	NUT, hex, M8 -8
25	006213935	2	NUT, hex, M10 -8
26	006214140	4	NUT, hex, M12 -8
27	006267111	5	NUT, hex, M6 -8
28	9933958471	2	SCREW, hex, M5 x 14 -8.8
29	9933959987	1	SCREW, hex, M6 x 35 -8.8
30	006340781	18	SCREW, hex, M6 x 16 -8.8
31	9933930001	5	SCREW, hex, M8 x 20 -8.8
32	9933929065	2	SCREW, hex, M10 x 20 -8.8
33	006346666	4	SCREW, hex, M12 x 30 -8.8
34	9933931180	2	SCREW, hex, M10 x 35 -8.8
35	9999853094	4	PLATE, LOCKING, WASHER, VSF M 10
36	9999853125	6	PLATE, LOCKING, WASHER, VSF M 12
37	9999853158	4	PLATE, LOCKING, WASHER, VSF B 8
38	060516340	1	BOLT, BANJO, PIECE ring, R 14-8
39	060516357	1	CONNECTOR, HYD., D16 x 1, 5-8
40	060206914	1	HOSE, fuel
41	072018771	1	HOSE, fuel
42	060533198	1	COVER,
43	060533204	1	FILTER CARTRIDGE,
44	9946936445	1	VANEUM GAUGE, SCREW locking

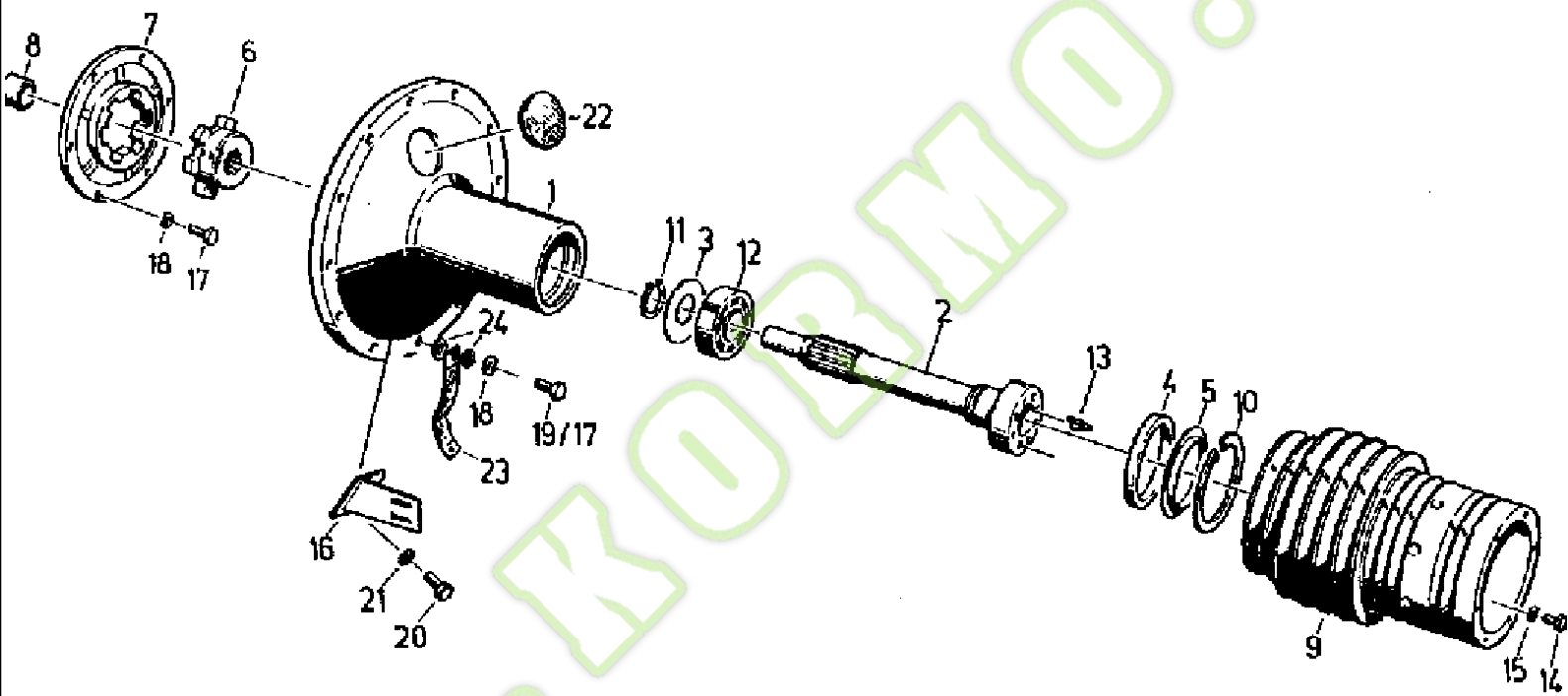


11-07 COOLING SYSTEM

Ref	Part Number	Qty	Description
1	060206537	1	SHROUD, PLATE, g
2	060206545	1	SHROUD, PLATE, f
3	060205995	1	COVER, PROTECTIVE,
4	060206498	1	PROTECTION PLATE,
5	4240030193	2	BUSHING,
6	060206553	1	BRUSH,
7	072007873	1	BRUSH,
8	060206440	1	STRIP, SEALING,
9	060206457	1	STRIP, SEALING,
10	060206465	1	STRIP, SEALING,
11	060206473	1	STRIP, SEALING,
12	060206481	2	STRIP, SEALING,
13	061014883	1	STRIP, SEALING,
14	061014914	1	STRIP, SEALING,
15	061016522	1	STRIP, SEALING,
16	061016530	1	STRIP, SEALING,
17	061016547	1	STRIP, SEALING,
18	061026934	2	STRIP, SEALING,
19	060206561	2	CYLINDER, GAS, SPRING
20	060042148	8	SHAFT, SHORT, PLATE threaded
21	9972881493	4	DAMPER, HITCH, SPRING rubber, 50 x 50
22	060205657	1	HOUSING, AIR cooling
23	060205946	1	BEARING,
24	060205938	1	GUIDE, aerial
25	061014842	1	CLAMP, PART upper
26	060503586	1	COOLER, OIL,
27	060205841	1	FRAME,
28	061014795	1	FRAME,
29	4260712767	1	BRUSH, CIRCULAR, cleaning
30	060211702	1	PROTECTOR,
31	060206022	3	HINGE,
32	4260711661	1	TIGHTENER SHEAVE, ROLL tension
33	060205962	1	LEVER, ARM tension
34	060206520	2	SUPPORT,
35	060206504	1	ANGLE BAR,
36	061014875	2	PAD, SHIM intermediate
37	9961920061	2	WASHER, SPRING, B8
38	060515967	2	DISC,
39	003792133	1	SHIM, precision, 17 x 24 x 1.5
40	9964962486	8	WASHER, A10.5
41	9960921633	4	WASHER, A8.4
42	006213734	32	NUT, hex, M6 -8
43	006213830	8	NUT, hex, M8 -8
44	006267177	3	NUT, hex, M12 -8
45	9933960998	3	SCREW, hex, M12 x 55 -10.5

11-07 COOLING SYSTEM

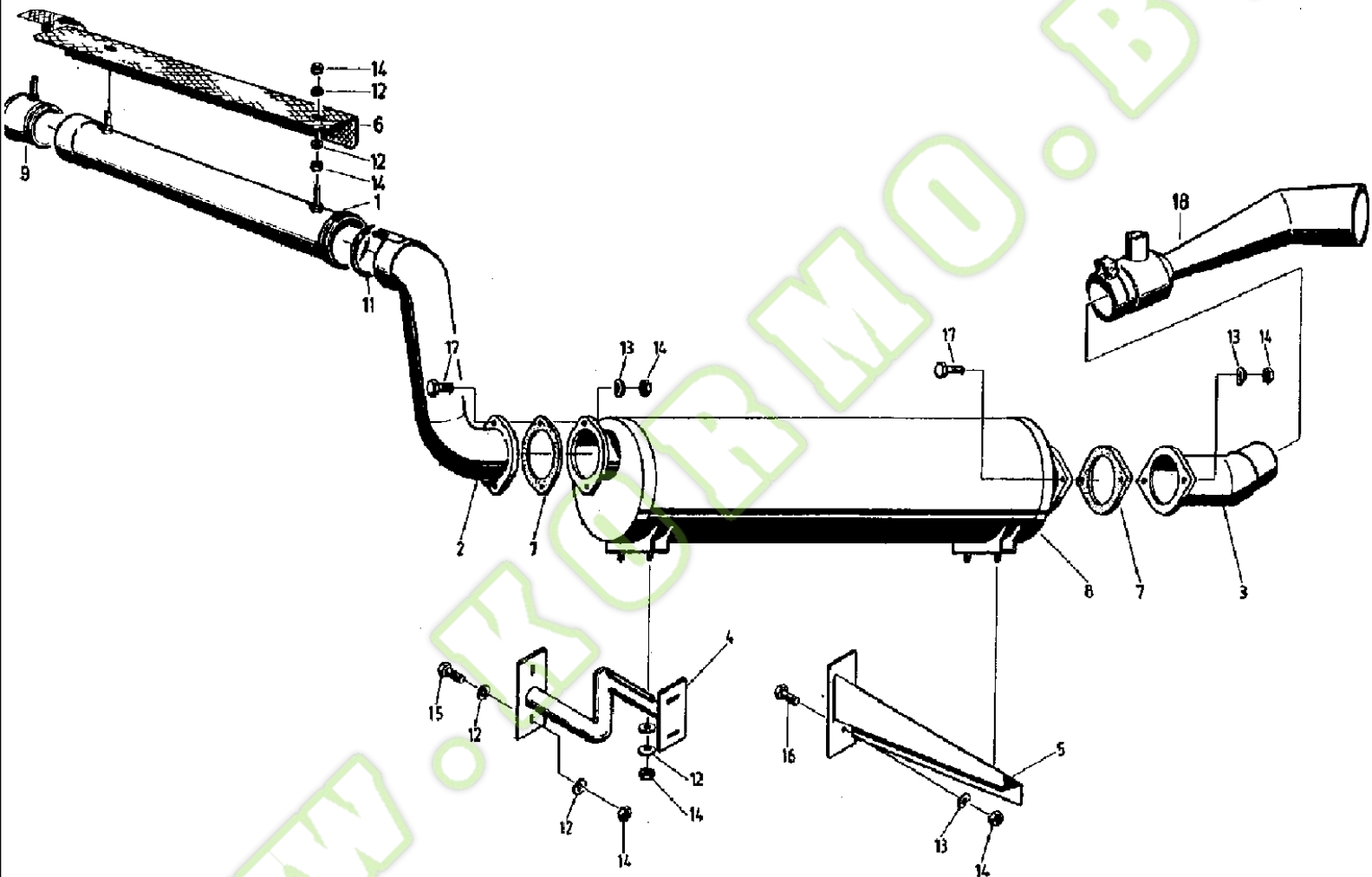
Ref	Part Number	Qty	Description
46	9933929161	8	SCREW, hex, M6 x 10 -8.8
47	9933929651	29	SCREW, hex, M6 x 14 -8.8
48	9933958584	8	SCREW, hex, M6 x 18 -8.8
49	9930977163	6	SCREW, hex, M6 x 20 -8.8
50	9933929803	2	SCREW, hex, M8 x 14 -8.8
51	9933930001	10	SCREW, hex, M8 x 20 -8.8
52	9933929065	8	SCREW, hex, M10 x 20 -8.8
53	9933931180	2	SCREW, hex, M10 x 35 -8.8
54	9964917143	1	CIRCLIP, 16 x 1
55	9963949377	4	PIN, SPLIT (COTTER), 2 x 20
56	9999853094	10	PLATE, LOCKING, WASHER, VSF M10
57	9999853100	35	PLATE, LOCKING, WASHER, VSF M6
58	9999853117	18	PLATE, LOCKING, WASHER, VSF M8
59	060150770	30	PLATE, LOCKING, WASHER, VSF B6
60	060515950	2	PIN, LARGE, HANDLE star
61	060503578	1	RADIATOR, COOLER water



11-11 ENGINE OUTPUT MEMBER

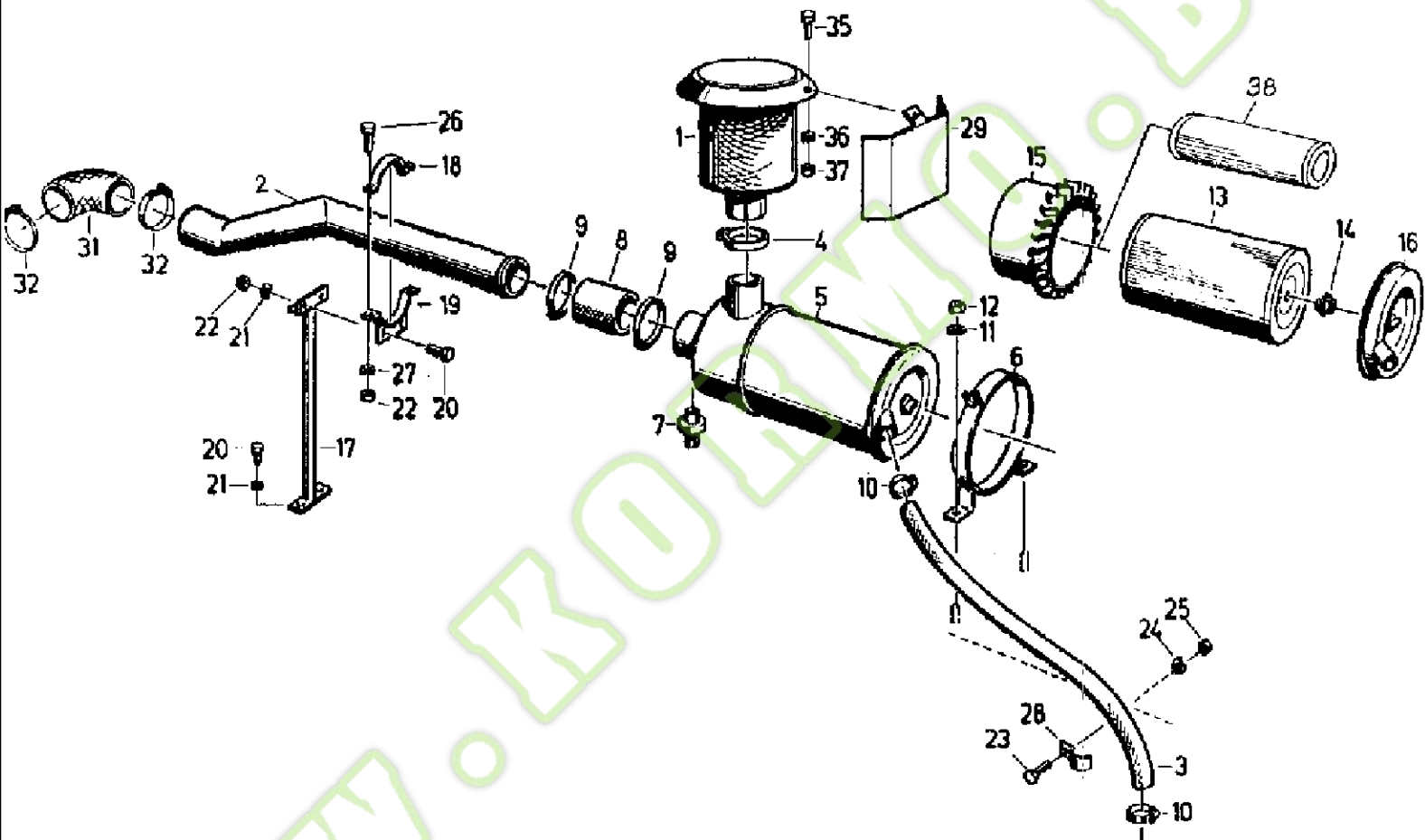
Ref	Part Number	Qty	Description
1	060141497	1	BELL HOUSING,
2	060140881	1	SHAFT, flanged
3	020939457	1	SEAL WASHER,
4	020939465	1	BUSHING,
5	4221611576	1	COVER,
6	003792752	1	HUB, star, ke
7	003791220	1	RUBBER SLEEVE, element
8	060140898	1	BUSHING,
9	060141214	1	PULLEY,
10	9964917947	1	CIRCLIP, 130 x 4
11	9964917344	1	CIRCLIP, 60 x 2
12	003792760	1	BEARING, self-aligning roller, 22212
13	9920925515	1	NIPPLE, LUBE, BM8 x 1
14	9933932028	8	SCREW, hex, M12 x 35 -8.8
15	006501557	8	WASHER, SPRING, B12
16	060141503	1	RETAINER,
17	003798637	9	SCREW, hex, 3/8"-16UNCx38
18	9961920004	20	WASHER, SPRING, B10
19	003798644	11	SCREW, hex, 3/8"-16UNCx25
20	006340781	2	SCREW, hex, M8 x 16 -8.8
21	9999853117	2	PLATE, LOCKING, WASHER, VSF M 8
22	4240033942	1	COVER,
23	4221611488	1	CABLE, BATTERY (NEG), STRIP earthing
24	9960921787	2	WASHER, A 10.5

11-13 EXHAUST SYSTEM



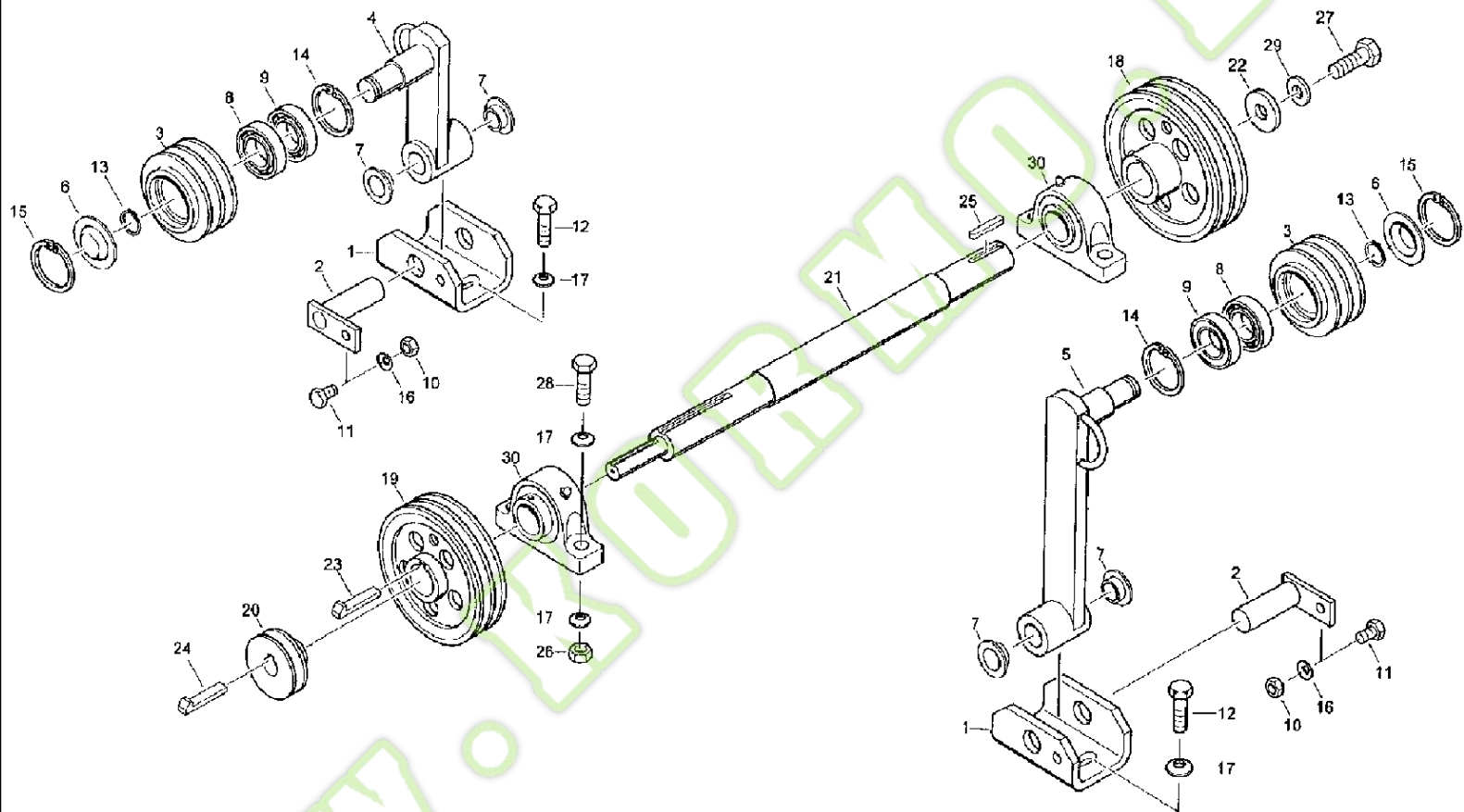
11-13 EXHAUST SYSTEM

Ref	Part Number	Qty	Description
1	061015064	1	UNION, PIPE
2	060204631	1	PIN, ELECT TERMINAL, MEMBER angular
3	061015111	1	FITTING, PIPE exhaust
4	4260693537	1	CARRIER, BEAM
5	4260693545	1	CARRIER, BEAM
6	060204648	1	PROTECTOR,
7	4270718690	2	GASKET,
8	4270718682	1	MUFFLER,
9	060204623	1	FITTING,
11	003792174	2	BUSHING, LARGE, RING rectangular, 95 x 3
12	9999853166	12	PLATE, LOCKING, WASHER, VSF B10
13	9961920004	6	WASHER, SPRING, B10
14	006213935	16	NUT, hex, M10 -8
15	9933931123	2	SCREW, hex, M10 x 30 -8.8
16	9933929065	6	SCREW, hex, M10 x 20 -8.8
17	9933931180	4	SCREW, hex, M10 x 35 -8.8
18	061024514	1	KNOCKER, EJECTOR



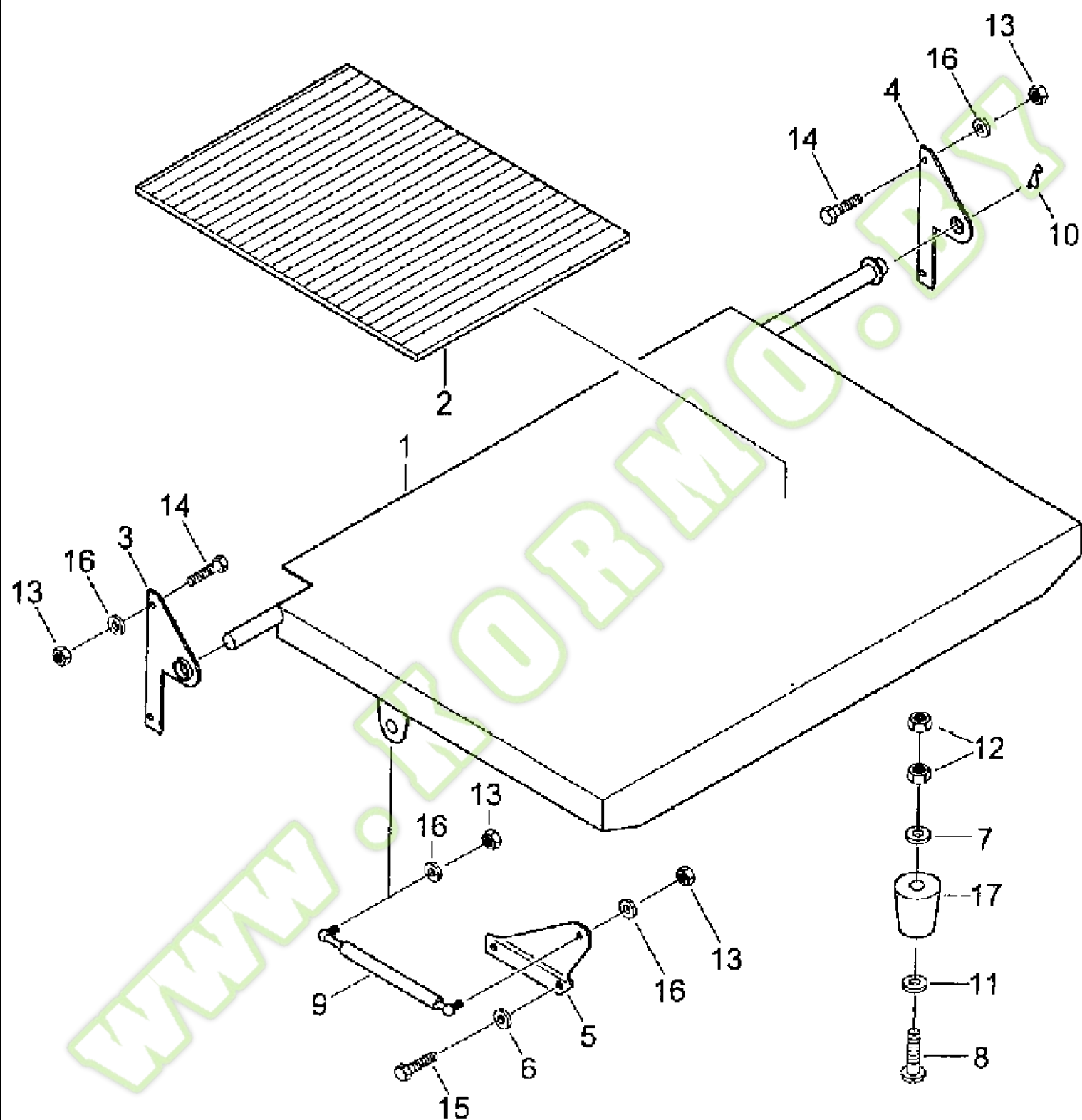
11-15 AIR CLEANER

Ref	Part Number	Qty	Description
1	061014963	1	FILTER, HEAD intake
2	060204158	1	PIPE, SUCTION, intake
3	061015056	1	HOSE, EJECTOR
4	060503666	1	CLAMP, pipe
5	060503641	1	FILTER, AIR dry-type
6	060503658	2	RETAINER,
7	003792808	1	SWITCH, maintenance
8	061015048	1	SLEEVE, TRANSMISSION,
9	060503682	2	CLAMP, hose, AS 130 - 150
10	9908951097	2	CLAMP, hose, AL 40 - 60
11	9999853125	4	PLATE, LOCKING, WASHER, VSF M12
12	006214140	4	NUT, hex, M12 -8
13	060503834	1	CARTRIDGE, micro-top
14	060150168	1	NUT, COLLAR
15	060503842	1	LINE, DEFLECTOR
16	060503850	1	BOTTOM,
17	4260713212	1	SUPPORT,
18	4270719281	1	BOW,
19	4270719345	1	BAIL, BOW fastening
20	006340781	4	SCREW, hex, M8 x 16 -8.8
21	9999853117	4	PLATE, LOCKING, WASHER, VSF M8
22	006213830	6	NUT, hex, M8 -8
23	9933929065	1	SCREW, hex, M10 x 20-8.8
24	9961920004	3	WASHER, SPRING, B10
25	006213935	3	NUT, hex, M10 -8
26	9933930001	2	SCREW, hex, M8 x 20 -8.8
27	9961920061	2	WASHER, SPRING, B8
28	060503674	3	CLAMP, PIPE, 46
29	061026942	1	DEFLECTOR, rebuff
31	060204166	1	ELBOW,
32	9910953063	2	CLAMP, hose, AL 100-120
35	9933929200	1	SCREW, hex, M6 x 12 -8.8
36	9961919927	3	WASHER, SPRING, B6
37	006213734	3	NUT, hex, M6 -8
38	060533124	1	AIR CLEANER, ELEMENT secondary



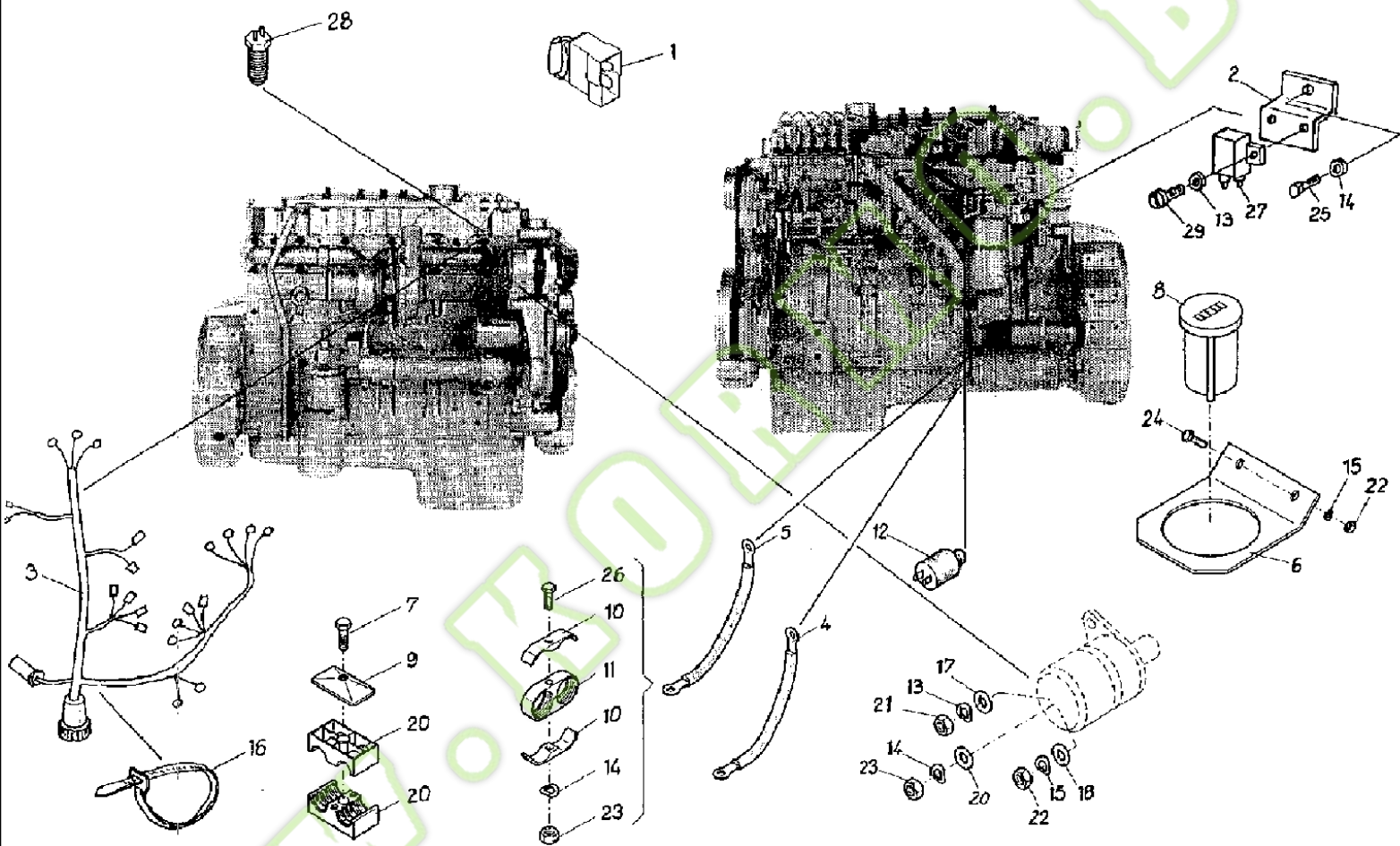
11-17 SEPARATOR DRUM DRIVE

Ref	Part Number	Qty	Description
1	061036550	2	CRADLE, BRACKET bearing
2	061036567	2	PIN, PIVOT, BOLT bearing
3	060204430	2	ROLLER, SHIFTER, PULLEY
4	060204471	1	LEVER, ROCKER,
5	060204422	1	LEVER, ROCKER,
6	9904868997	2	COVER, 62
7	060514121	4	HALF BUSH, JOURNAL bearing, GFM-2528-21
8	9902890433	2	BEARING, grooved ball, 6205
9	9902890441	2	BEARING, grooved ball, 6205 - 2RS
10	006213830	2	NUT, hex, M8 -8
11	9933959415	2	SCREW, hex, M8 x 22 -8.8
12	006346666	4	SCREW, hex, M12 x 30 -8.8
13	9964917192	2	CIRCLIP, 25 x 1.2
14	9964917787	2	CIRCLIP, 52 x 2
15	9964917818	2	CIRCLIP, 62 x 2
16	9999853117	2	PLATE, LOCKING, WASHER, VSF M8
17	9999853125	12	PLATE, LOCKING, WASHER, VSF M12
18	060204262	1	GROOVED PULLEY, V-BELT
19	060204270	1	GROOVED PULLEY, V-BELT
20	060180575	1	WASHER,
21	060204287	1	SHAFT,
22	060162315	1	DISC, end, C11 x 50
23	9965955293	1	KEY, gib-head, 10 x 8 x 50
24	9965955252	1	KEY, gib-head, 6 x 6 x 32
25	9965956446	1	KEY, BUCKET TOOTHRT, feather, A10 x 8 x 45
26	006214140	4	NUT, hex, M 12 -8
27	006344037	1	SCREW, hex, M10 x 25 -8.8
28	006347007	4	SCREW, hex, M12 x 45 -8.8
29	9999853094	1	PLATE, LOCKING, WASHER, VSF M 10
30	9902891860	2	CAP CYLINDER END, pedestal bearing, SW 35 U



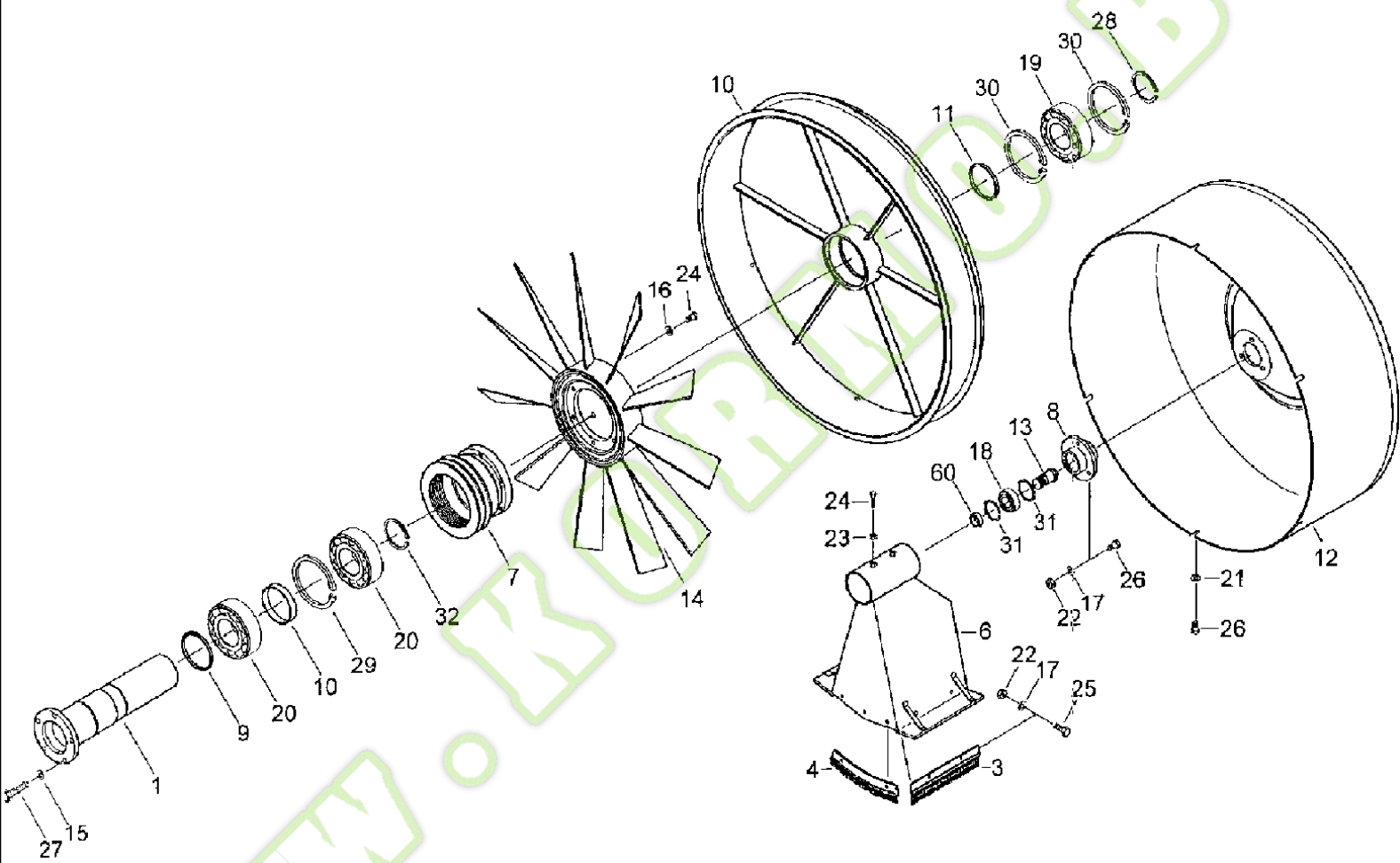
11-19 ENGINE COWLING

Ref	Part Number	Qty	Description
1	060205230	1	COVER, PROTECTIVE,
2	4240028094	1	MAT, rubber
3	060205247	1	SHIN, PLATE fish, g
4	060205255	1	SHIN, PLATE fish, f
5	060205263	1	SHEET, PLATE support
6	9961920004	2	WASHER, SPRING, B10
7	9961919927	3	WASHER, SPRING, B6
8	9938927766	3	SCREW, lens-head, M6 x 35 -5.8
9	060504763	1	CYLINDER, GAS, spring, A3A3-40-250-625/250N
10	060504771	1	PIN, LINCH, PLUG folding, 6 x 42
11	006510927	3	WASHER, A 6.4
12	006213734	6	NUT, hex, M6 -8
13	006213830	6	NUT, hex, M8 -8
14	9933929715	4	SCREW, hex, M8 x 18 -8.8
15	9933929065	2	SCREW, hex, M10 x 20 -8.8
16	9999853117	6	PLATE, LOCKING, WASHER, VSF M 8
17	9972879345	3	BUFFER, RUBBER, foot, 40 x 33



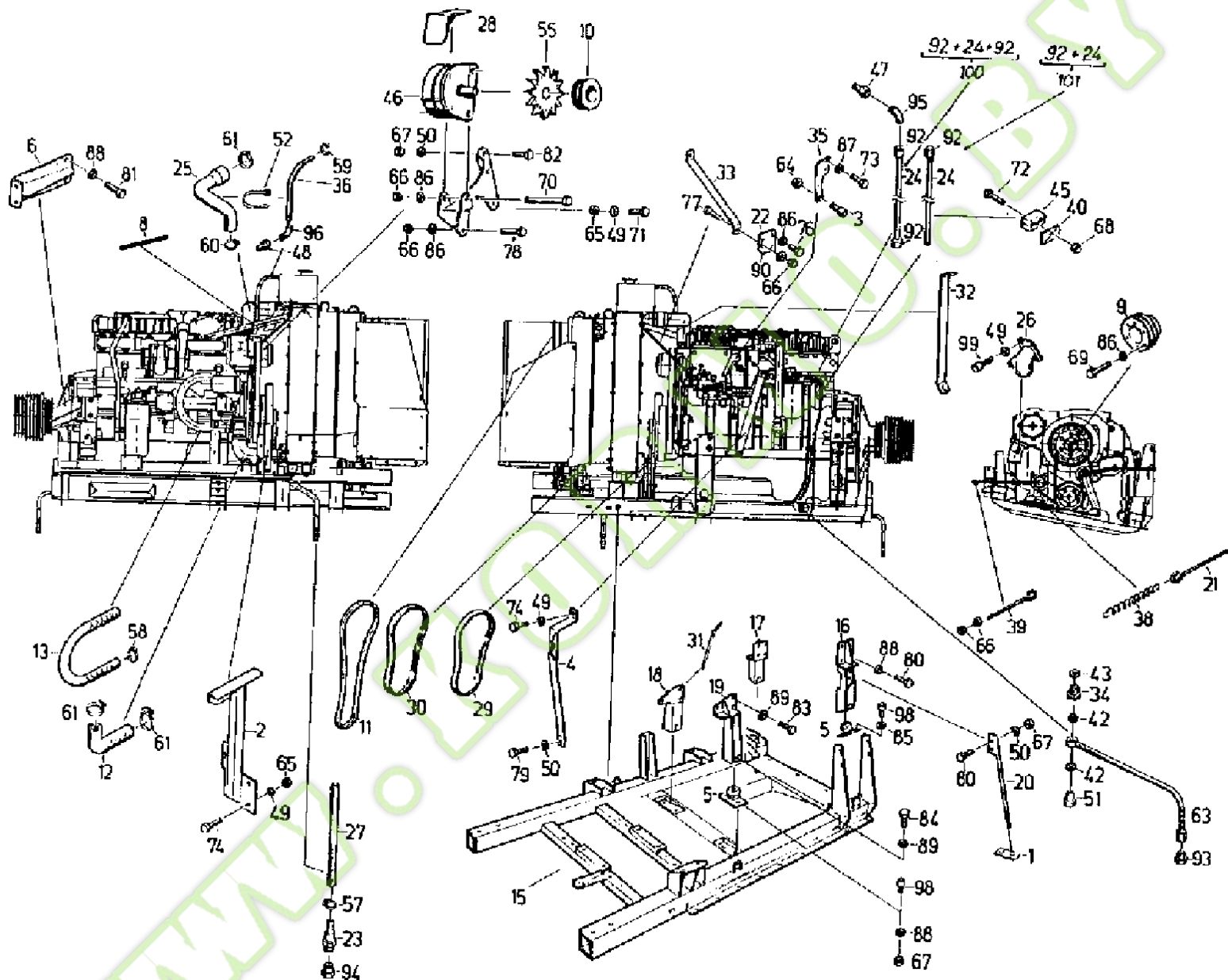
11-21 ELECTRICAL EQUIPMENT ENGINE

Ref	Part Number	Qty	Description
1	4260712992	2	DIODE, PLUG
2	060166384	1	BRACKET,
3	060212213	1	HARNESS,
4	4254126724	1	CABLE, LINE earth
5	060203727	1	SHIN, LINE connecting
6	060170926	1	ANGLE BAR,
7	060505426	1	SCREW, external hexagon, AS-2D
8	003785167	1	HOURMETER,
9	006646242	1	COVER, plate, GD 2 D
10	060505387	2	COVER, plate, DPL 3
11	060504788	1	CLAMP, double, LNG3 14/14 PA
12	060509710	1	TRANSMITTER, PROBE pressure
13	9961919896	3	WASHER, SPRING, B4
14	9961920061	3	WASHER, SPRING, B8
15	9961919927	3	WASHER, SPRING, B6
16	060152467	8	CABLE, tie
17	9960921457	1	WASHER, A4.3
18	006510927	1	WASHER, A6.4
19	9960921633	1	WASHER, A8.4
20	060505418	1	CIRCLIP, body, 214/14 PP
21	9950895496	1	NUT, hex, M4 -8
22	006213734	3	NUT, hex, M6 -8
23	006213830	2	NUT, hex, M8 -8
24	9933929200	2	SCREW, hex, M6 x 12 -8.8
25	9933929748	1	SCREW, hex, M8 x 10 -8.8
26	006341485	1	SCREW, hex, M8 x 35 -8.8
27	060500220	1	RELAY, A 227
28	060506966	1	SENDOR, TEMPERATURE,
29	9936938600	2	SCREW, cheese-head, M4 x 10 -5.8



11-23 SEPARATOR DRUM

Ref	Part Number	Qty	Description
1	060203928	1	AXLE,
2	072000022	1	DISC, driving
3	072000215	2	BRUSH,
4	072000248	2	BRUSH,
5	4260701065	1	PAD, WEAR, PIECE pressure
6	060203985	1	CASE,
7	072000055	1	GROOVED PULLEY, V-BELT
8	4260701040	1	HOUSING, BEARING,
9	072000063	1	BACK-UP RING, support
10	072000071	1	BACK-UP RING, support
11	072000088	1	BACK-UP RING, support
12	060203911	1	DRUM,
13	072000096	1	SHAFT, CROSS, PIN
14	060513514	1	FAN,
15	9961920004	5	WASHER, SPRING, B10
16	9961920061	6	WASHER, SPRING, B8
17	9961919927	13	WASHER, SPRING, B6
18	9902892837	1	BEARING, grooved ball, 6005-2RS
19	060502890	1	BEARING, grooved ball, 6016-2RS1
20	060514017	2	BEARING, grooved ball, 6017-2RS
21	006510228	6	WASHER, A 6.4
22	006213734	13	NUT, hex, M6 -8
23	006213830	2	NUT, hex, M8 -8
24	9933959415	8	SCREW, hex, M8 x 22 -8.8
25	9933929161	10	SCREW, hex, M6 x 10 -8.8
26	9933929200	9	SCREW, hex, M6 x 12 -8.8
27	9931931375	5	SCREW, hex, M10 x 55 -8.8
28	9964917408	1	CIRCLIP, 80 x 2.5
29	9964917947	1	CIRCLIP, 130 x 4
30	9964917633	2	CIRCLIP, 125 x 4
31	060502995	2	CIRCLIP, 47 x 1.75
32	060514025	1	CIRCLIP, 85 x 3



11-25 ENGINE, PREASSEMBLED

Ref	Part Number	Qty	Description
1	061013472	1	PROTECTION PLATE,
2	060206787	1	HOLDER, trestle
3	4260693600	1	GUIDE,
4	060206801	1	SUPPORT, angle
5	4240033950	4	DAMPER, HITCH, SPRING rubber
6	060206344	1	RETAINER, arm
7	060206738	1	SLEEVE,
8	061027445	1	STRIP, PROTECTION,
9	060206682	1	GROOVED PULLEY, V-BELT
10	060206721	1	GROOVED PULLEY, V-BELT
11	060206988	1	V-BELT, 10 x 2600
12	060206102	1	ELBOW,
13	061013737	1	LINE, cooling water
14	060206746	1	SUPPORT,
15	060204496	1	CROSSBAR, BRACKET engine
16	060206127	1	FASTENER, MOUNT engine, f
17	060206176	1	FASTENER, MOUNT engine, f
18	060206207	1	FASTENER, MOUNT engine, g
19	060206248	1	FASTENER, MOUNT engine, g
20	061013464	1	STANCHION,
21	4250131942	1	SCREW, eyelet, AM8 x 230
22	060206713	1	PLATE,
23	4260693192	1	PLUG, PIPE
24	060206385	2	PIPE,
25	060206110	1	PIPE, RETURN,
26	060206818	1	FITTING, PIPE suction
27	4270721356	1	HOSE,
28	060206280	1	PROTECTOR,
29	060206963	1	BELTS, SET OF 2, V, 2SPAx1120
30	060206971	1	BELTS, SET OF 2, V, 2SPAx1600
31	060206850	1	HOOK, BOLT through
32	060206690	1	STAY, STRUT
33	060206705	1	STAY, STRUT
34	060207023	1	FITTING, SOCKET
35	060206408	1	LEVER, adjusting
36	060206770	1	FITTING, hose
37	9974880964	2	SPRING, TENSION, A3, 2 x 22 x 25 AA 1
38	9974976617	1	SPRING, TENSION, B2, 8 x 25 x 40 AA
39	060207562	2	THREADED ROD, CAPSTAN
40	060151538	8	COVER, PLATE, DPL 2
41	9970908505	1	GASKET, A16 x 20 -AL
42	9970908513	2	GASKET, A16 x 20 -CU
43	9970909194	1	GASKET, A26 x 31
44	060527247	1	MOTOR, diesel, 168 KW (2200)
45	060516486	4	CLAMP, double, LNG2 10/10 PP

Ref	Part Number	Qty	Description
46	060503192	1	ALTERNATOR, three-phase
47	060527302	2	ADAPTER, screwing, XGE 10-L/1/4NPT/A3C
48	060527310	1	ADAPTER, screwing, XGE 6-L/1/8NPT/A3C
49	9961920061	12	WASHER, SPRING, B8
50	006501557	5	WASHER, SPRING, B12
51	003784994	1	JACK SCREW, hollow, 12
52	060509124	2	CABLE, tie
53	060528988	1	V-BELT,
54	060528963	1	FILTER, FUEL,
55	9019635918	1	BLOWER,
56	060528955	1	FILTER, ENGINE OIL,
57	003785118	2	CLAMP, hose, AL23-35-W2-1
58	003792777	2	CLAMP, hose, AL32-50-W2-1
59	9908952610	2	CLAMP, hose, AL16-27-W2-1
60	9910952987	1	CLAMP, hose, AL60-80-W2-1
61	060503184	3	CLAMP, hose, AS70-90-W2-1
62	060503215	1	SPRING, PLATE
63	060527296	1	HOSE, PSI 110x1900 AFL B
64	006213734	5	NUT, hex, M6 -8
65	006213830	9	NUT, hex, M8 -8
66	006213935	9	NUT, hex, M10 -8
67	006214140	13	NUT, hex, M12 -8
68	006267111	4	NUT, hex, M6 -8
69	9932960764	6	SCREW, hex, M10 x 70 -8.8
70	9932930783	1	SCREW, hex, M10 x 110 -8.8
71	006334180	1	SCREW, hex, M8 x 50 -8.8
72	9933959987	1	SCREW, hex, M6 x 35 -8.8
73	006338385	2	SCREW, hex, M6 x 16 -8.8
74	9933930001	5	SCREW, hex, M8 x 20 -8.8
76	9933929065	2	SCREW, hex, M10 x 20 -8.8
77	006344037	1	SCREW, hex, M10 x 25 -8.8
78	9933933703	3	SCREW, hex, M10 x 60 -8.8
79	006346408	1	SCREW, hex, M12 x 20 -8.8
80	006346666	8	SCREW, hex, M12 x 30 -8.8
81	9933932028	2	SCREW, hex, M12 x 35 -8.8
82	9933932108	2	SCREW, hex, M12 x 40 -8.8
83	9933932911	6	SCREW, hex, M16 x 30 -8.8
84	9934959141	4	SCREW, hex, M16 x 1, 5 x 30 -8.8
85	003794682	4	PLATE, LOCKING, WASHER, VSF Z 12
86	9999853094	12	PLATE, LOCKING, WASHER, VSF M 10
87	9999853100	2	PLATE, LOCKING, WASHER, VSF M 6
88	9999853125	14	PLATE, LOCKING, WASHER, VSF M 12
89	9999853133	10	PLATE, LOCKING, WASHER, VSF M 16
90	9999853166	1	PLATE, LOCKING, WASHER, VSF B 10
91	060516340	1	BOLT, BANJO, PIECE ring, R14-8

Ref	Part Number	Qty	Description
92	060516357	3	CONNECTOR, HYD., D16 x 1.5 -8
93	003433450	1	VANEUM GAUGE, SCREW locking, XROV 12-L
94	9946936621	1	VANEUM GAUGE, SCREW locking, AM16 x 1.5-5.8
95	060521780	2	FITTING, W-type, EW10-L/OMD
96	060527327	1	CONNECTOR, HYD., W-type, EW6-L/OMD
97	060528971	1	FILTER, water
98	003794674	8	SCREW, cheese-head, M12 x 25 -8.8
99	006281191	3	SCREW, cheese-head, M8 x 30 -8.8
100	060206393	1	HOSE, fuel
101	060206377	1	HOSE, fuel

WWW.KORMO.BY

WWW.KORMO.BY

